



Chipsmall Limited consists of a professional team with an average of over 10 year of expertise in the distribution of electronic components. Based in Hongkong, we have already established firm and mutual-benefit business relationships with customers from,Europe,America and south Asia,supplying obsolete and hard-to-find components to meet their specific needs.

With the principle of “Quality Parts,Customers Priority,Honest Operation,and Considerate Service”,our business mainly focus on the distribution of electronic components. Line cards we deal with include Microchip,ALPS,ROHM,Xilinx,Pulse,ON,Everlight and Freescale. Main products comprise IC,Modules,Potentiometer,IC Socket,Relay,Connector.Our parts cover such applications as commercial,industrial, and automotives areas.

We are looking forward to setting up business relationship with you and hope to provide you with the best service and solution. Let us make a better world for our industry!



Contact us

Tel: +86-755-8981 8866 Fax: +86-755-8427 6832

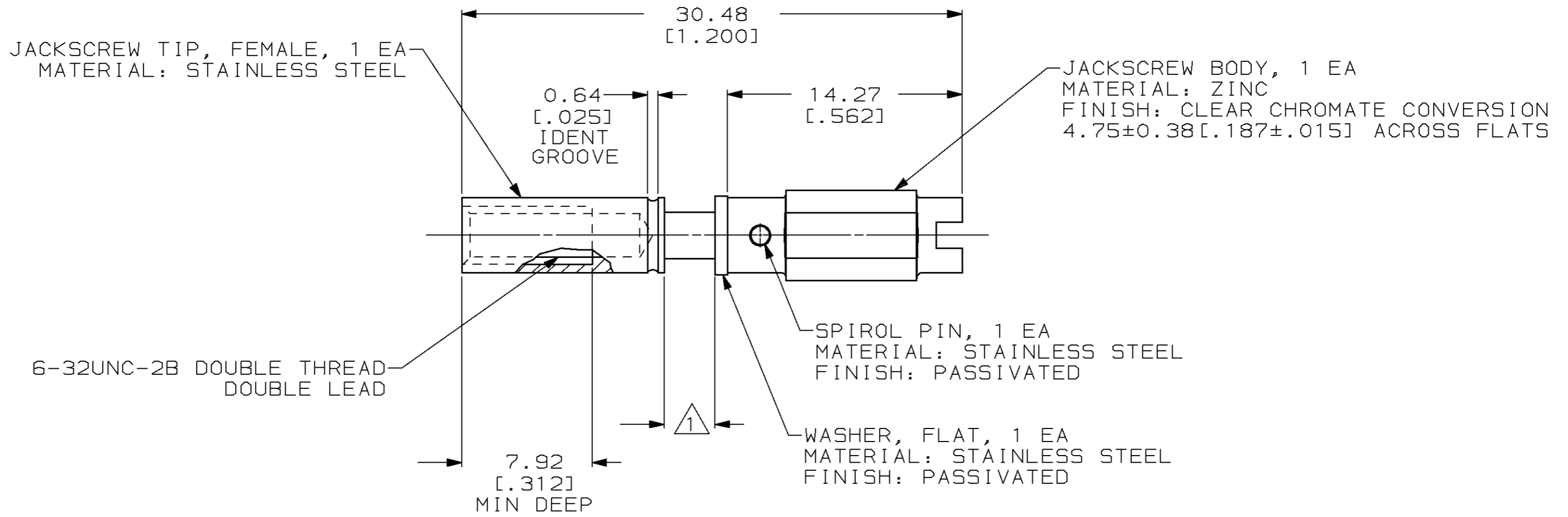
Email & Skype: info@chipsmall.com Web: www.chipsmall.com

Address: A1208, Overseas Decoration Building, #122 Zhenhua RD., Futian, Shenzhen, China



THIS DRAWING IS UNPUBLISHED. RELEASED FOR PUBLICATION, 19 .
 © COPYRIGHT 19 BY AMP INCORPORATED. ALL INTERNATIONAL RIGHTS RESERVED.

MOD	LOC	DIST	P	F	ZONE	LTR	DESCRIPTION	DATE	APPD
2	BD	36				N	REDRAWN W/O CHANGE & REV PER EC 0020-307-94	05/25/94	TC



1 METAL THICKNESS OF PIN HOOD OR CABLE CLAMP. WHEN USING BOTH PIN HOOD AND CABLE CLAMP REMOVE WASHER.

THIS DRAWING IS A CONTROLLED DOCUMENT FOR AMP INCORPORATED. IT IS SUBJECT TO CHANGE AND THE CONTROLLING ENGINEERING ORGANIZATION SHOULD BE CONTACTED FOR THE LATEST REVISION.

DO NOT SCALE PRINT. UNLESS SPECIFIED DIMENSIONS IN mm [INCHES] TOLERANCES ON: 2 PLC DEC ± 0.13 [.005] 3 PLC DEC ± - ANGLES ± -		DR 05/25/94 K.FOLTZ	AMP Incorporated Harrisburg, PA 17105-3608
MATERIAL SEE CALLOUT	CHK 06/16/94 R.STONE	APPD 06/17/94 T.COULSON	
FINISH SEE CALLOUT	APPD 06/17/94 T.COULSON	PRODUCT SPEC -	NAME JACKSCREW ASSY, FEMALE, SPECIAL, M SERIES
		APPLICATION SPEC -	SIZE B CAGE CODE 00779 DRAWING NO C-201389
		WEIGHT -	SCALE 4:1 SHEET 1 OF 1

201389-1
PART NO