



Chipsmall Limited consists of a professional team with an average of over 10 year of expertise in the distribution of electronic components. Based in Hongkong, we have already established firm and mutual-benefit business relationships with customers from,Europe,America and south Asia,supplying obsolete and hard-to-find components to meet their specific needs.

With the principle of “Quality Parts,Customers Priority,Honest Operation,and Considerate Service”,our business mainly focus on the distribution of electronic components. Line cards we deal with include Microchip,ALPS,ROHM,Xilinx,Pulse,ON,Everlight and Freescale. Main products comprise IC,Modules,Potentiometer,IC Socket,Relay,Connector.Our parts cover such applications as commercial,industrial, and automotives areas.

We are looking forward to setting up business relationship with you and hope to provide you with the best service and solution. Let us make a better world for our industry!



Contact us

Tel: +86-755-8981 8866 Fax: +86-755-8427 6832

Email & Skype: info@chipsmall.com Web: www.chipsmall.com

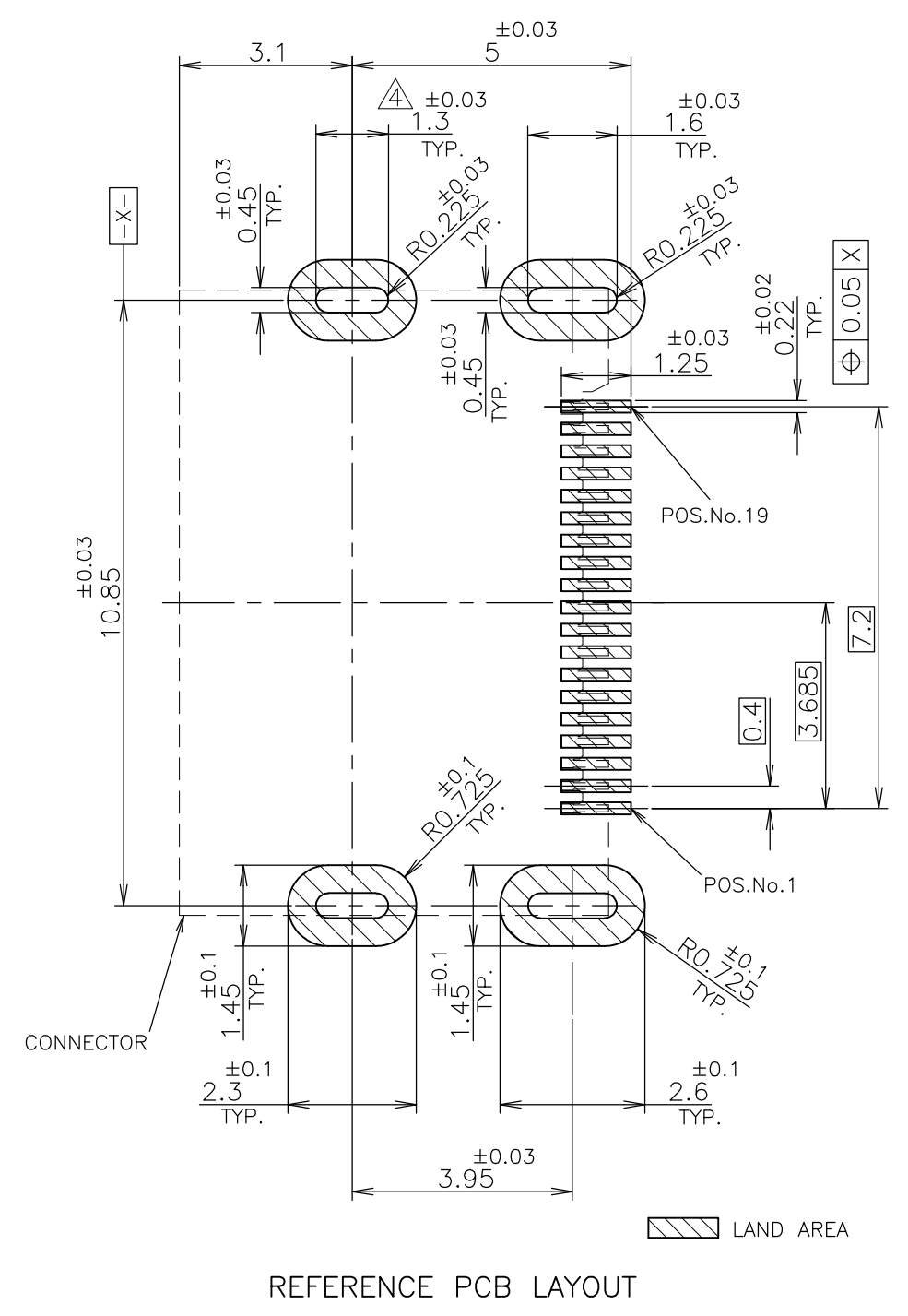
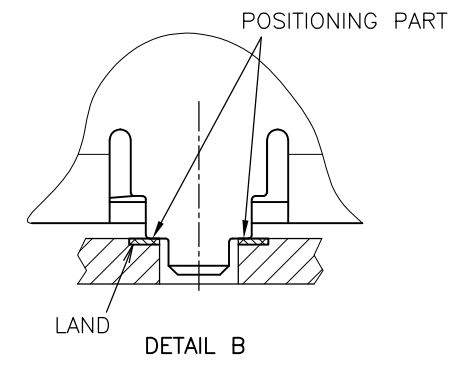
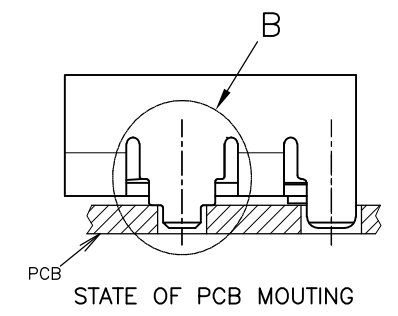
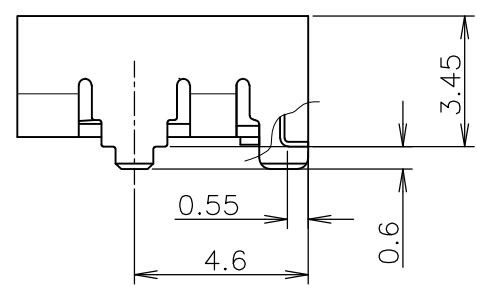
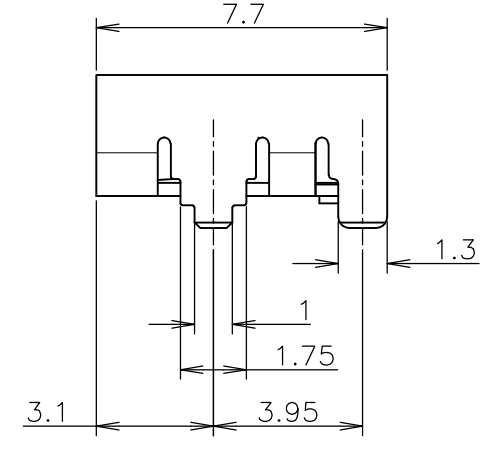
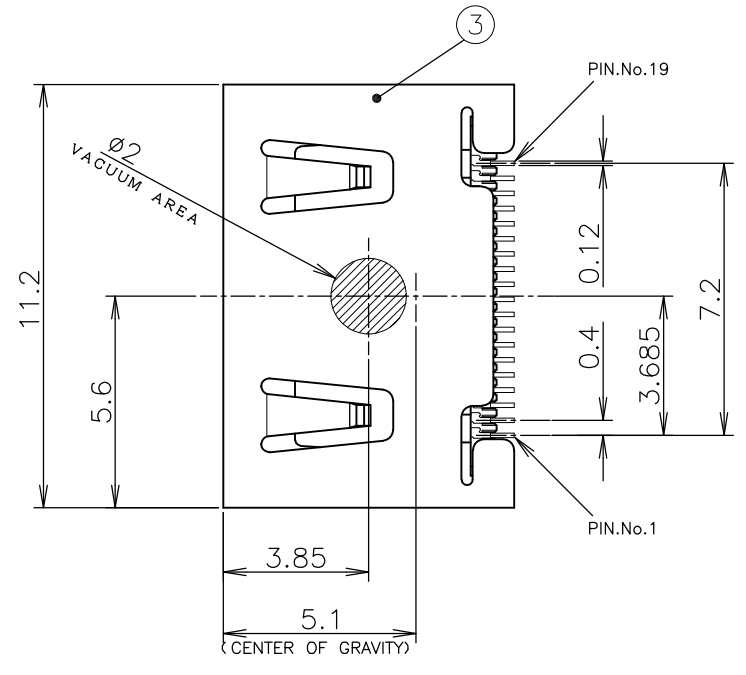
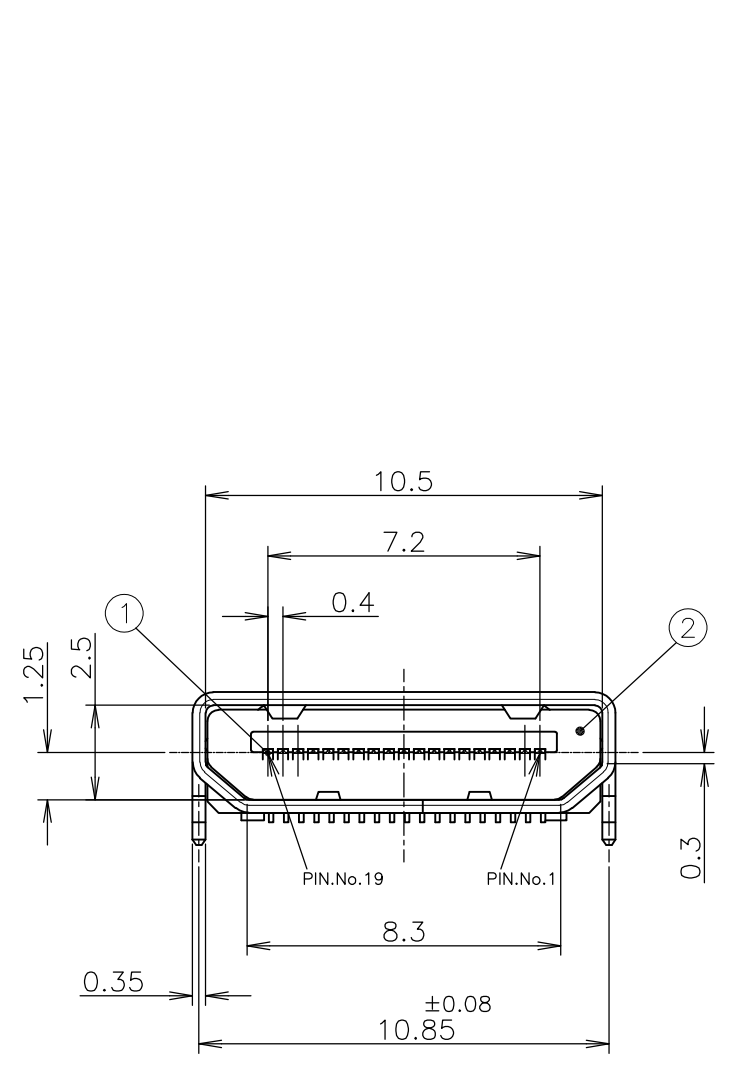
Address: A1208, Overseas Decoration Building, #122 Zhenhua RD., Futian, Shenzhen, China



THIS DRAWING IS UNPUBLISHED. RELEASED FOR PUBLICATION
 © COPYRIGHT - By - ALL RIGHTS RESERVED.

LOC	DIST	REVISIONS		
J		P	LTR	DESCRIPTION
		-	-	SEE SHEET 1
				DATE
				DWN
				APVD

2013978-2;AS SHOWN



NOTE
 1 GENERAL TOLERANCE : ±0.3
 2 CONTACT TINE COPLANALITY ; 0.1mmMAX
 3 FINISH
 CONTACT ; Ni UNDER PLATING ALL OVER
 1.3um MIN.
 Au PLATING ON SOLDERING AREA
 0.05um MIN.
 Au PLATING ON CONTACT AREA
 0.1um MIN.
 SHELL ; Ni UNDER PLATING ALL OVER
 0.8um MIN.
 Sn PLATING ALL OVER
 0.75um MIN.
 4 PLEASE OBSERVE THE TOLERANCE SO THAT
 THIS DIMENSION INFLUENCE POSITIONING
 THE PRODUCT(REFER TO DETAIL A,B).

注記
 1 一般公差 : ±0.3
 2 コプラナリティ : 0.1mmMAX.
 3 仕上げ
 コンタクト : 全面ニッケル下地 1.3um 以上
 はんだ付け部 金フラッシュメッキ
 0.05um 以上
 接点部 金メッキ 0.1um 以上
 シェル : 全面ニッケル下地 0.8um 以上
 全面スズメッキ 0.75um 以上
 4 本寸法は製品の位置決めに影響する寸法
 ですので、公差を厳守してください
 (DETAIL A,Bを参照ください)

THIS DRAWING IS A CONTROLLED DOCUMENT.		DWN	TE Connectivity		
DIMENSIONS: 単位: 耗 mm		CHK			
TOLERANCES UNLESS OTHERWISE SPECIFIED: 一般公差		APVD	NAME 名称		
0 PLC ±		PRODUCT SPEC 製品規格	HDMI TYPE C RECEPTACLE CONNECTOR		
1 PLC ±		APPLICATION SPEC 取付適用規格	SIZE	CAGE CODE	DRAWING NO 番号
2 PLC ±		WEIGHT 0.62g	A3	00779	G-2013978
3 PLC ±		CUSTOMER DRAWING	RESTRICTED TO		
4 PLC ±		SCALE 尺度 5:1	SHEET 2 OF 5		REV B1
ANGLES ±					
FINISH 仕上					

THIS DRAWING IS UNPUBLISHED.

RELEASED FOR PUBLICATION

© COPYRIGHT - By -

ALL RIGHTS RESERVED.

LOC J DIST

REVISIONS

変更

DESCRIPTION

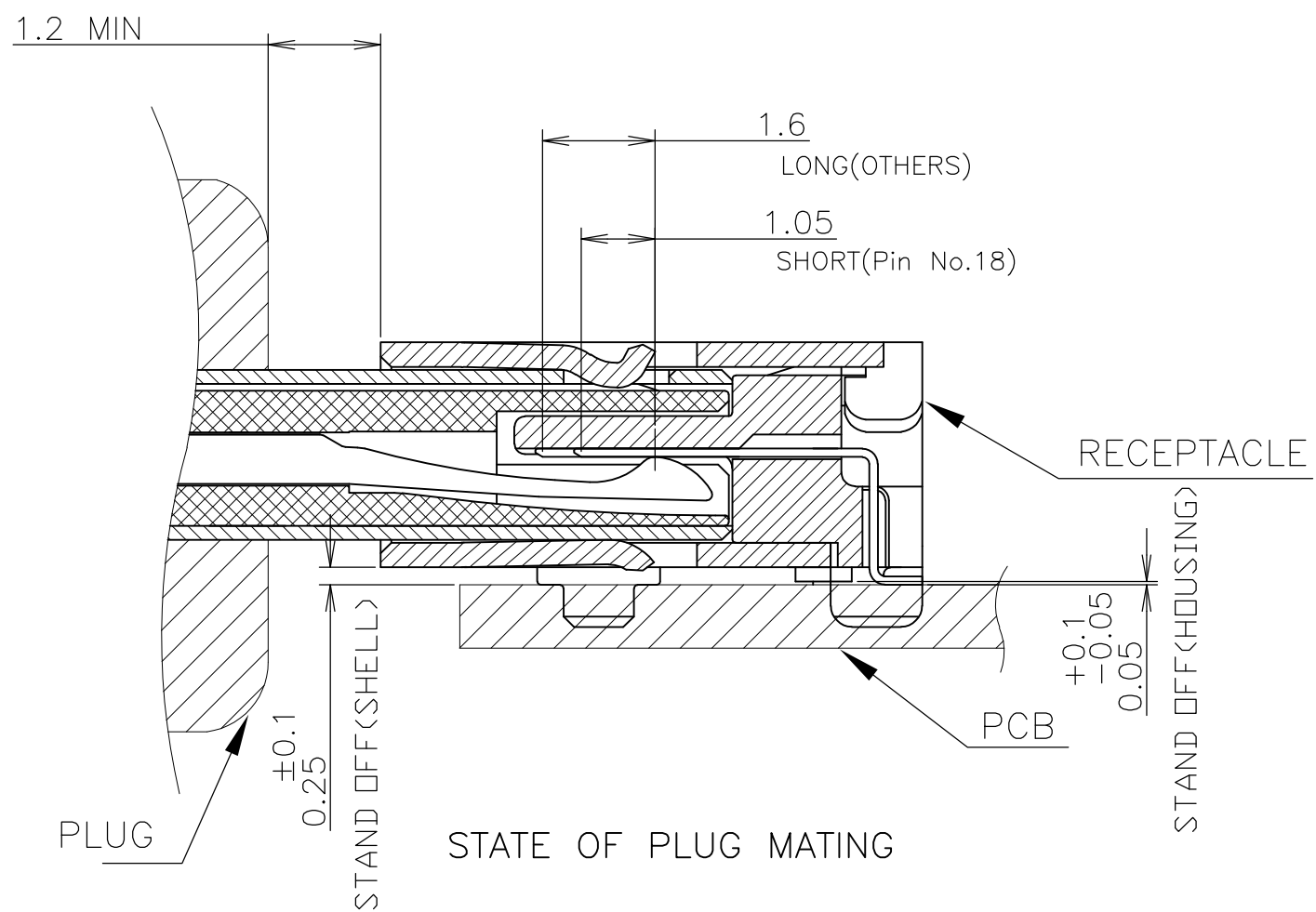
DATE

DWN

APVD

P LTR

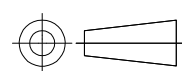
SEE SHEET 1



THIS DRAWING IS A CONTROLLED DOCUMENT.

DIMENSIONS:
単位: 耗
mm

TOLERANCES UNLESS
OTHERWISE SPECIFIED:
一般公差



- 0 PLC ±
- 1 PLC ±
- 2 PLC ±
- 3 PLC ±
- 4 PLC ±
- ANGLES ±

MATERIAL
材料

FINISH
仕上



DWN

CHK

APVD

PRODUCT SPEC
製品規格

APPLICATION SPEC
取付適用規格

WEIGHT

CUSTOMER DRAWING



NAME
名称

HDMI TYPE C
RECEPTACLE CONNECTOR

SIZE

CAGE CODE

DRAWING NO
番号

RESTRICTED TO

A3 00779

G-2013978

SCALE
尺度 5:1

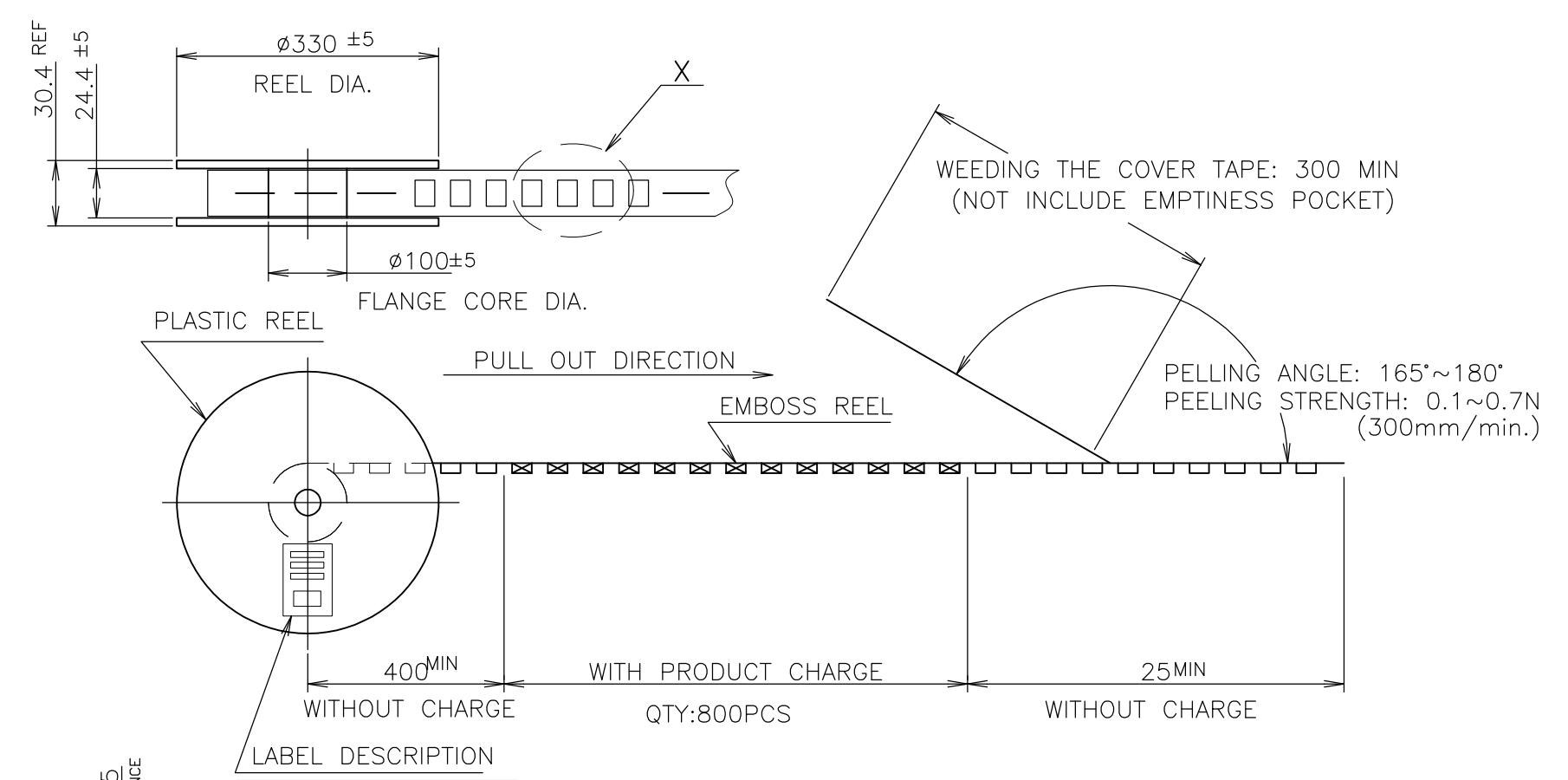
SHEET
3 OF 5

REV
B1

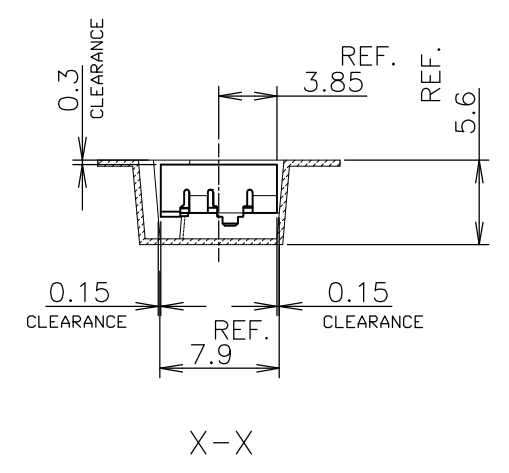
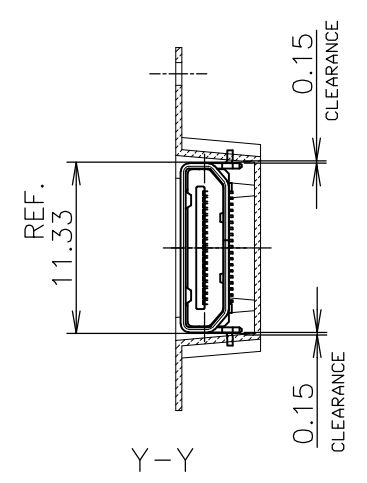
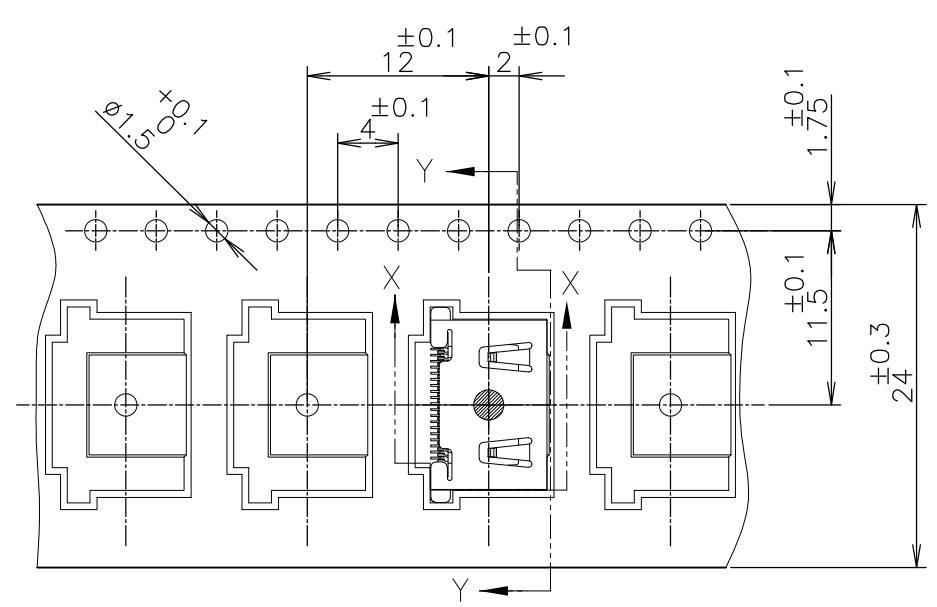
THIS DRAWING IS UNPUBLISHED. RELEASED FOR PUBLICATION
 © COPYRIGHT - By - ALL RIGHTS RESERVED.

LOC	DIST	REVISIONS				
J		变更	DESCRIPTION	DATE	DWN	APVD
		P	LTR			
		-	SEE SHEET 1	-	-	-

2013978-1;AS SHOWN



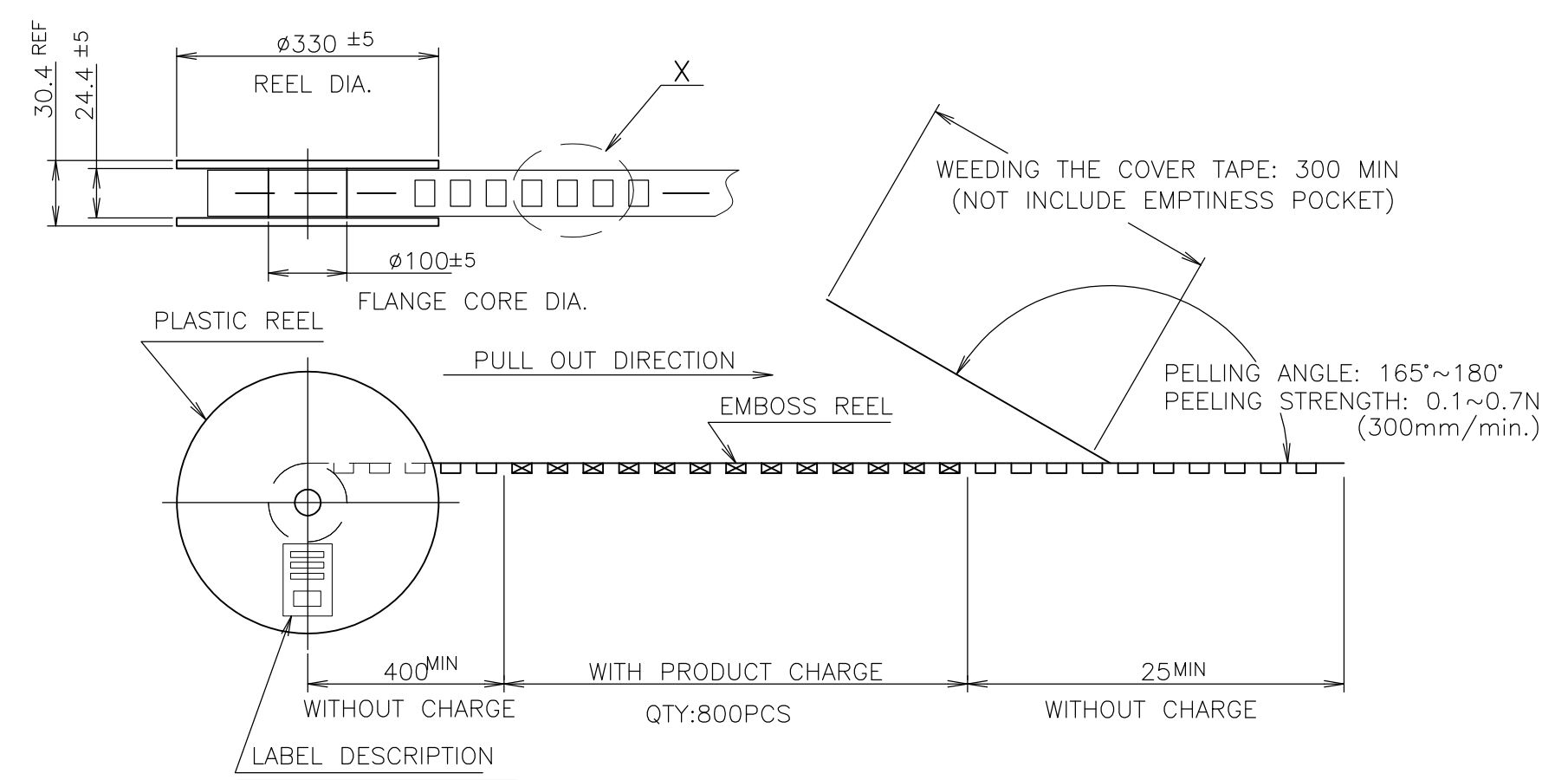
PLASTIC REEL
 PULL OUT DIRECTION
 EMBOSS REEL
 WITH PRODUCT CHARGE
 QTY:800PCS
 WITHOUT CHARGE
 WITHOUT CHARGE
 LABEL DESCRIPTION
 TYCO P/N:
 QTY:
 D/C:
 MADE IN CHINA



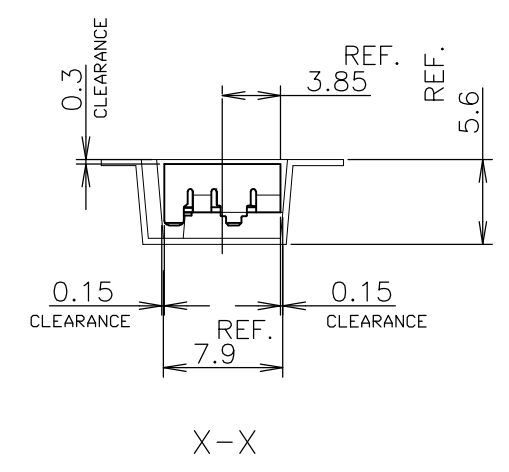
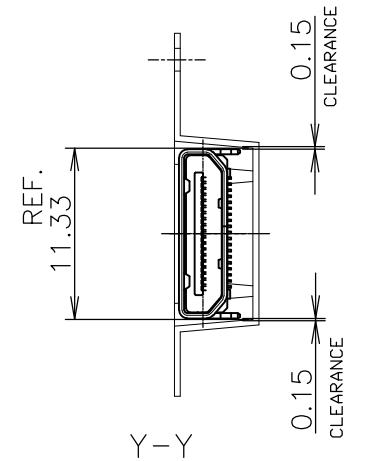
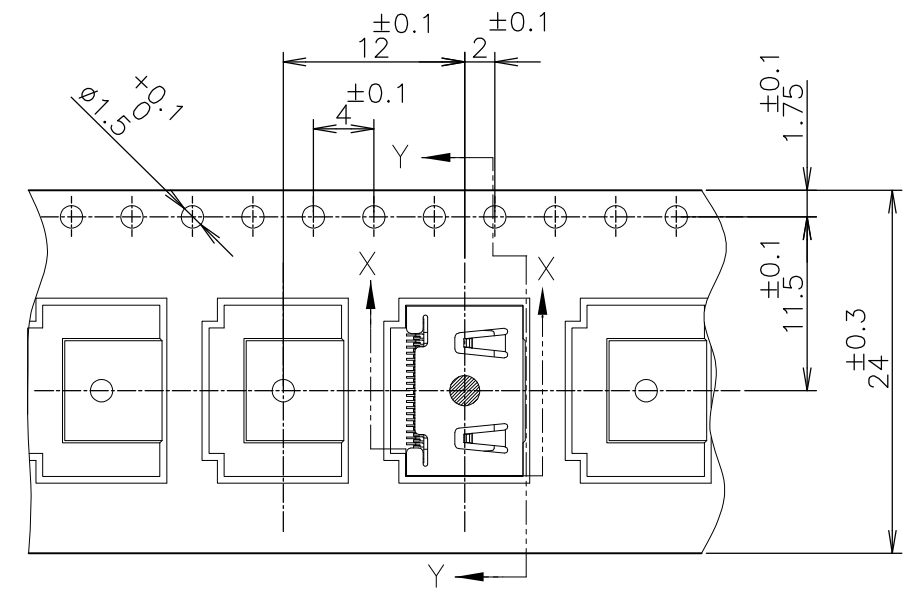
THIS DRAWING IS A CONTROLLED DOCUMENT.		DWN	STE TE Connectivity	
DIMENSIONS: 单位: 耗 mm		CHK		
TOLERANCES UNLESS OTHERWISE SPECIFIED: 一般公差		APVD	NAME 名称	
0 PLC ±		PRODUCT SPEC 製品規格	HDMI TYPE C RECEPTACLE CONNECTOR	
1 PLC ±		APPLICATION SPEC 取付適用規格	SIZE	CAGE CODE
2 PLC ±		MATERIAL 材料	A3	00779
3 PLC ±			DRAWING NO 番号	G-2013978
4 PLC ±		WEIGHT	RESTRICTED TO	
ANGLES ±		CUSTOMER DRAWING		SCALE 尺度 5:1
FINISH 仕上		SCALE 尺度 5:1		SHEET 4 OF 5
△		REV B1		

THIS DRAWING IS UNPUBLISHED. RELEASED FOR PUBLICATION
 © COPYRIGHT - By - ALL RIGHTS RESERVED.

LOC	DIST	REVISIONS		
J		P	LTR	DESCRIPTION
		-		SEE SHEET 1
				DATE
				DWN
				APVD



2013978-2;AS SHOWN



THIS DRAWING IS A CONTROLLED DOCUMENT.		DWN	STE TE Connectivity	
DIMENSIONS: 单位: 耗 mm		CHK		
TOLERANCES UNLESS OTHERWISE SPECIFIED: 一般公差		APVD	NAME 名称	
0 PLC ±		PRODUCT SPEC 製品規格	HDMI TYPE C RECEPTACLE CONNECTOR	
1 PLC ±		APPLICATION SPEC 取付適用規格	SIZE	CAGE CODE
2 PLC ±		WEIGHT	A3	00779
3 PLC ±		CUSTOMER DRAWING	DRAWING NO 番号	RESTRICTED TO
4 PLC ±			G-2013978	
ANGLES ±			SCALE 尺度	SHEET
FINISH 仕上			5:1	5 OF 5
			REV	B1