



Chipsmall Limited consists of a professional team with an average of over 10 year of expertise in the distribution of electronic components. Based in Hongkong, we have already established firm and mutual-benefit business relationships with customers from,Europe,America and south Asia,supplying obsolete and hard-to-find components to meet their specific needs.

With the principle of "Quality Parts,Customers Priority,Honest Operation,and Considerate Service",our business mainly focus on the distribution of electronic components. Line cards we deal with include Microchip,ALPS,ROHM,Xilinx,Pulse,ON,Everlight and Freescale. Main products comprise IC,Modules,Potentiometer,IC Socket,Relay,Connector.Our parts cover such applications as commercial,industrial, and automotives areas.

We are looking forward to setting up business relationship with you and hope to provide you with the best service and solution. Let us make a better world for our industry!



Contact us

Tel: +86-755-8981 8866 Fax: +86-755-8427 6832

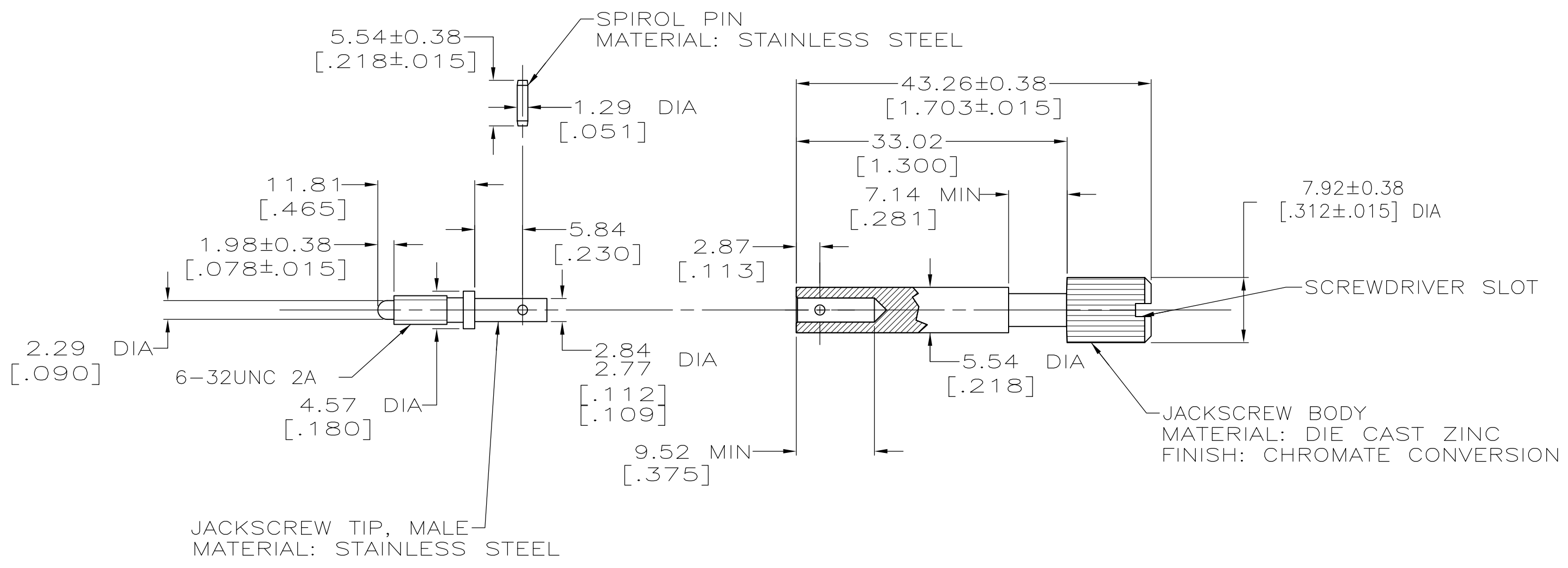
Email & Skype: info@chipsmall.com Web: www.chipsmall.com

Address: A1208, Overseas Decoration Building, #122 Zhenhua RD., Futian, Shenzhen, China



THIS DRAWING IS UNPUBLISHED. RELEASED FOR PUBLICATION
 © COPYRIGHT - By - ALL RIGHTS RESERVED.

LOC	DIST	REVISIONS					
BD	0	P	LTR	DESCRIPTION	DATE	DWN	APVD
			M1	REVISED PER ECO-11-005027	11MAR11	RK	HMR



- △2 NON-HEXAVALENT CHROMATE COATING ON JACKSCREW BODY.
- △3 SPECIAL PACKAGING - ONE UNASSEMBLED UNIT PER BAG.

△2	△3	201413-5
△2		201413-4
△2		201413-1
NOTES		PART NUMBER

THIS DRAWING IS A CONTROLLED DOCUMENT.		DWN	M.BINNER	09/27/94	STE TE Connectivity					
		CHK	R.STONE	1-20-95						
DIMENSIONS: mm[INCHES]		TOLERANCES UNLESS OTHERWISE SPECIFIED:			NAME					
		0 PLC	± -	PRODUCT SPEC						
		1 PLC	± -	APPLICATION SPEC						
		2 PLC	± 0.13 [.005]	SIZE			CAGE CODE	DRAWING NO		
		3 PLC	± -	A3			00779	C-201413		
MATERIAL		FINISH			RESTRICTED TO					
SEE CALLOUT		SEE CALLOUT			-					
CUSTOMER DRAWING					SCALE	2:1	SHEET	1 OF 1	REV	M1