



Chipsmall Limited consists of a professional team with an average of over 10 year of expertise in the distribution of electronic components. Based in Hongkong, we have already established firm and mutual-benefit business relationships with customers from,Europe,America and south Asia,supplying obsolete and hard-to-find components to meet their specific needs.

With the principle of “Quality Parts,Customers Priority,Honest Operation,and Considerate Service”,our business mainly focus on the distribution of electronic components. Line cards we deal with include Microchip,ALPS,ROHM,Xilinx,Pulse,ON,Everlight and Freescale. Main products comprise IC,Modules,Potentiometer,IC Socket,Relay,Connector.Our parts cover such applications as commercial,industrial, and automotives areas.

We are looking forward to setting up business relationship with you and hope to provide you with the best service and solution. Let us make a better world for our industry!



Contact us

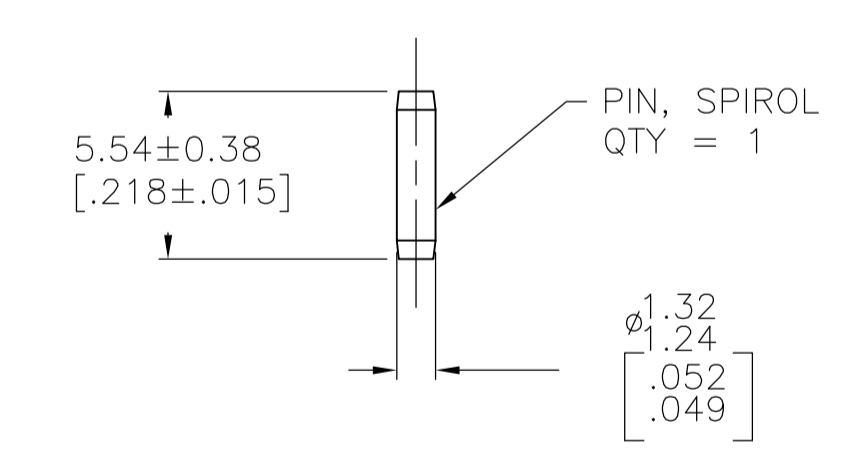
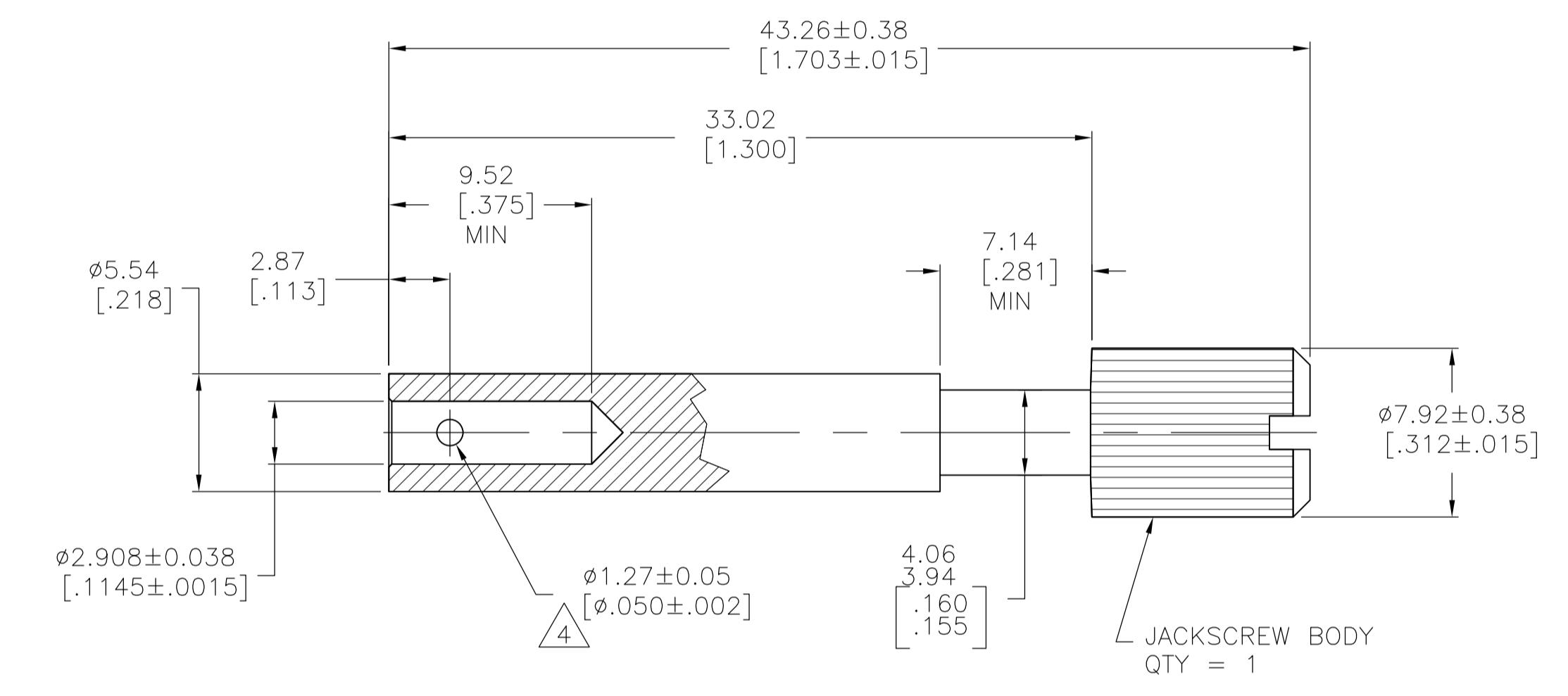
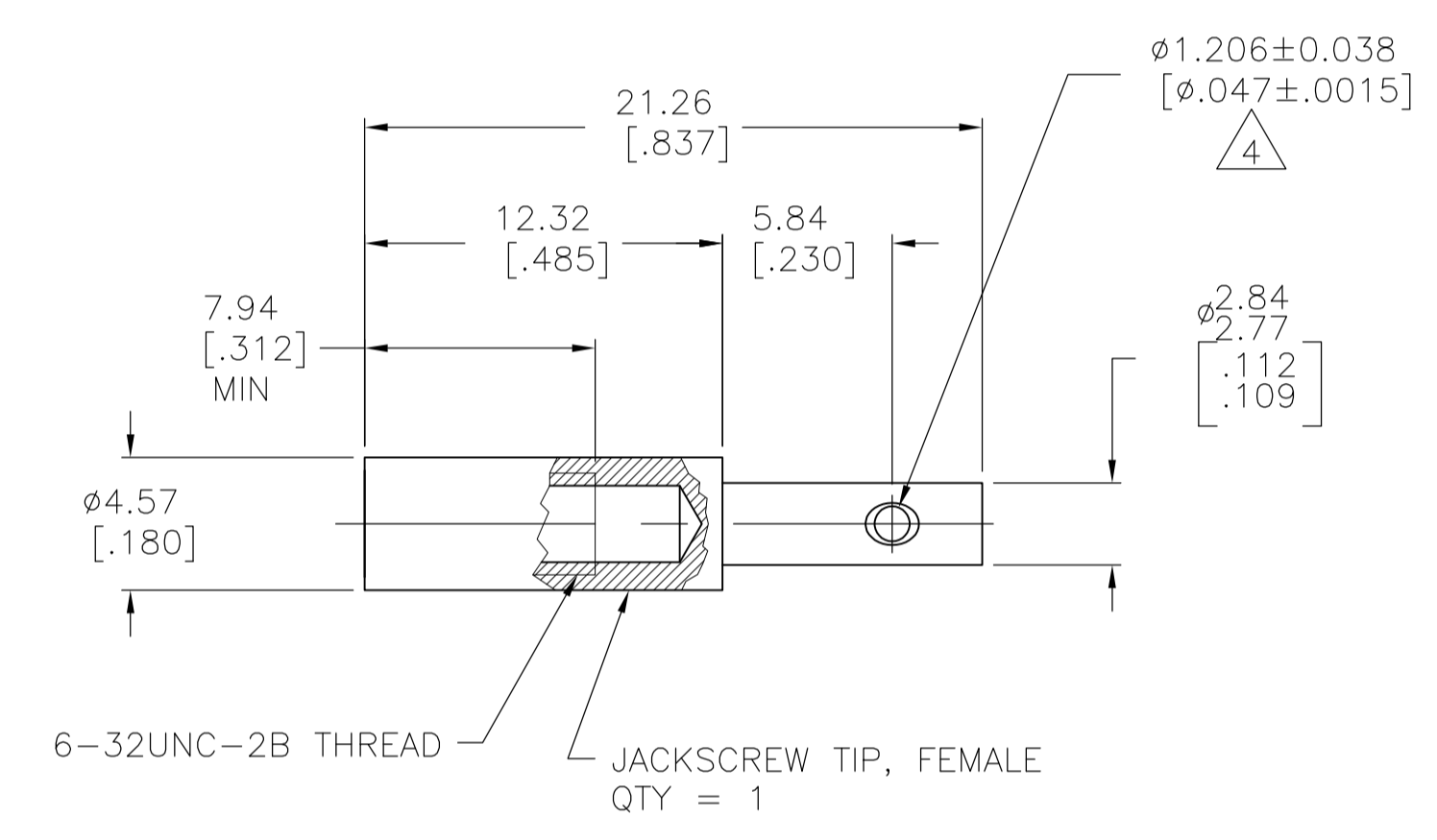
Tel: +86-755-8981 8866 Fax: +86-755-8427 6832

Email & Skype: info@chipsmall.com Web: www.chipsmall.com

Address: A1208, Overseas Decoration Building, #122 Zhenhua RD., Futian, Shenzhen, China



- 1 ZINC.
- 2 STAINLESS STEEL.
- 3 TO ASSEMBLE JACKSCREW REFER TO INSTRUCTION SHEET #1189.
- 4 HOLE CENTRALLY LOCATED WITHIN ± 0.07 [.003] OF THE 5.54 [.218] DIA AND THE 2.77/2.84 [.109/.112] DIA CENTER LINES.
- 5 CHROMATE CONVERSION, CLEAR.
- 7 NON-HEXAVALENT CHROMATE COATING ON JACKSCREW BODY.
- 8 SPECIAL PACKAGING - ONE UNASSEMBLED UNIT PER BAG



8	7	201414-5
7	7	201414-4
7	7	201414-1
NOTES		PART NUMBER

THIS DRAWING IS A CONTROLLED DOCUMENT.		DIN: K.FOLTZ 10/18/94	Tyco Electronics Corporation Harrisburg, PA 17105-3608	
DIMENSIONS: mm [INCHES]		CHK: R.STONE 11/07/94	APVD: -	
TOLERANCES UNLESS OTHERWISE SPECIFIED:		NAME: JACKSCREW KIT, UNASSEMBLED, FEMALE, M SERIES		
0 PLC	± -	PRODUCT SPEC		
1 PLC	± -	APPLICATION SPEC		
2 PLC	± 0.13 [.005]	SIZE: A1		
3 PLC	± -	CAGE CODE: 00779		
4 PLC	± -	DRAWING NO: 201414		
ANGLES	± -	RESTRICTED TO: -		
MATERIAL: JACKSCREW BODY: 1	FINISH: JACKSCREW BODY: 1	WEIGHT: -		
JACKSCREW TIP: 2	PIN: PASSIVATED	CUSTOMER DRAWING		
SCALE: 4:1		SHEET 1 OF 1		