



Chipsmall Limited consists of a professional team with an average of over 10 year of expertise in the distribution of electronic components. Based in Hongkong, we have already established firm and mutual-benefit business relationships with customers from,Europe,America and south Asia,supplying obsolete and hard-to-find components to meet their specific needs.

With the principle of “Quality Parts,Customers Priority,Honest Operation,and Considerate Service”,our business mainly focus on the distribution of electronic components. Line cards we deal with include Microchip,ALPS,ROHM,Xilinx,Pulse,ON,Everlight and Freescale. Main products comprise IC,Modules,Potentiometer,IC Socket,Relay,Connector.Our parts cover such applications as commercial,industrial, and automotives areas.

We are looking forward to setting up business relationship with you and hope to provide you with the best service and solution. Let us make a better world for our industry!



## Contact us

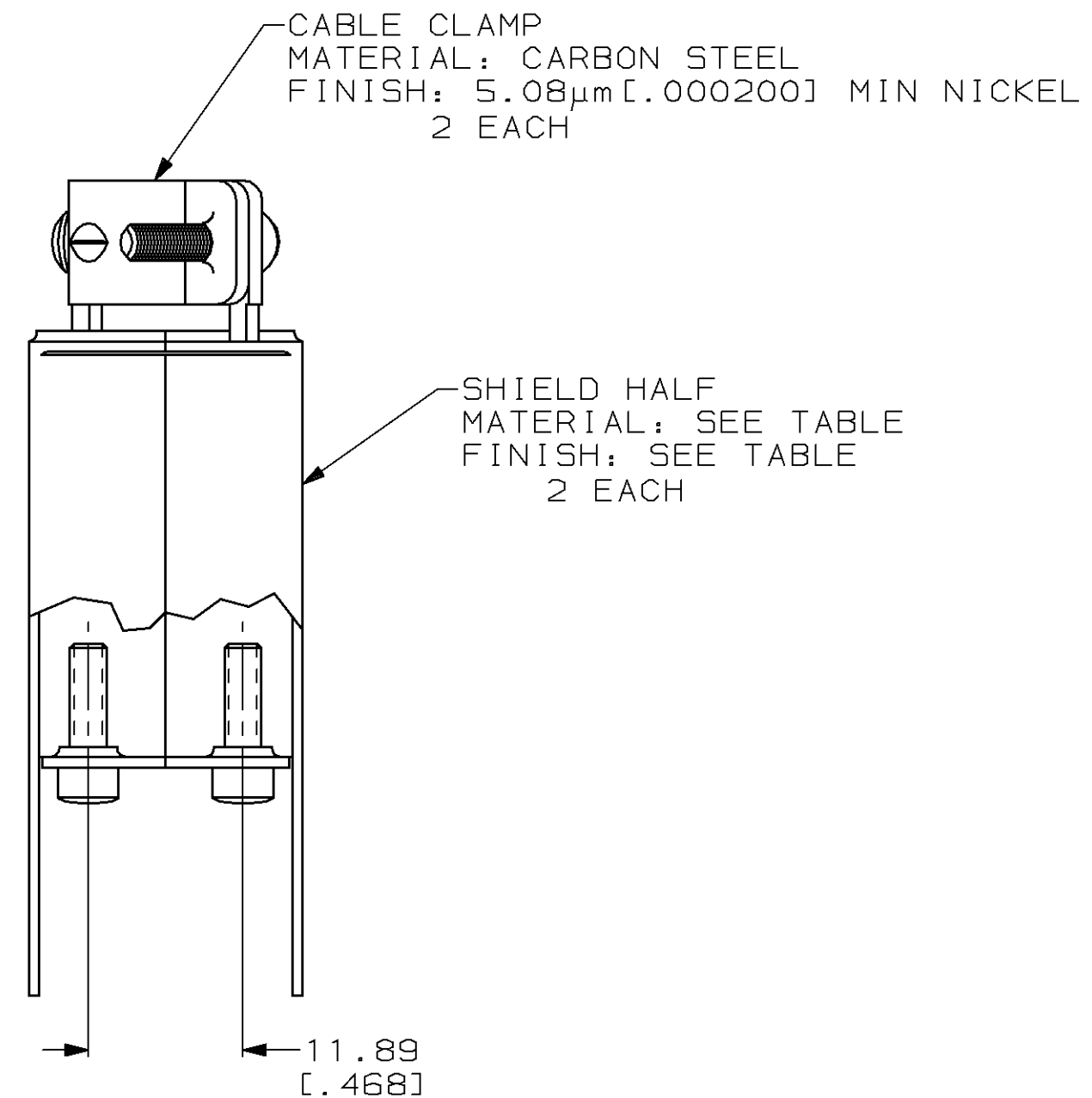
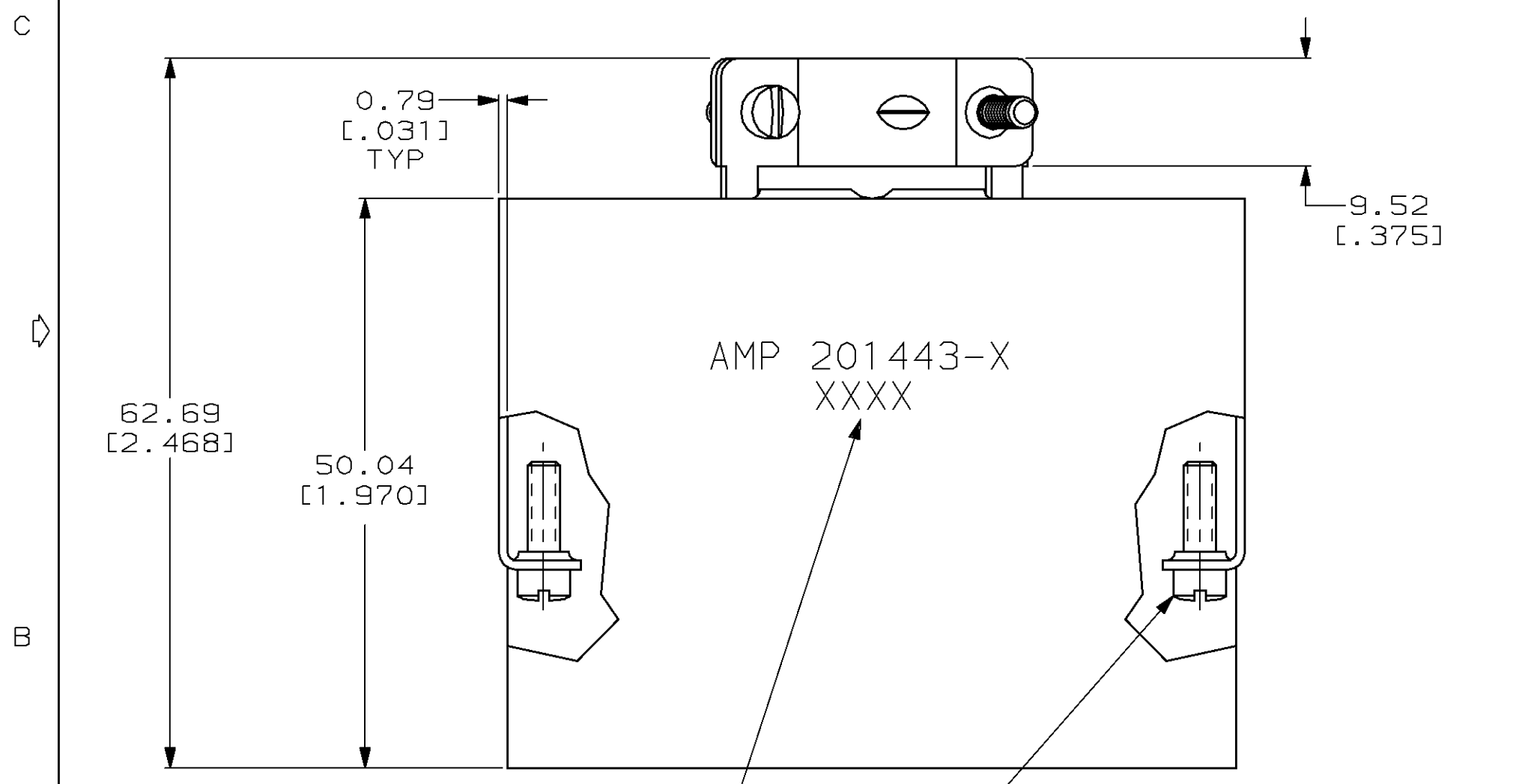
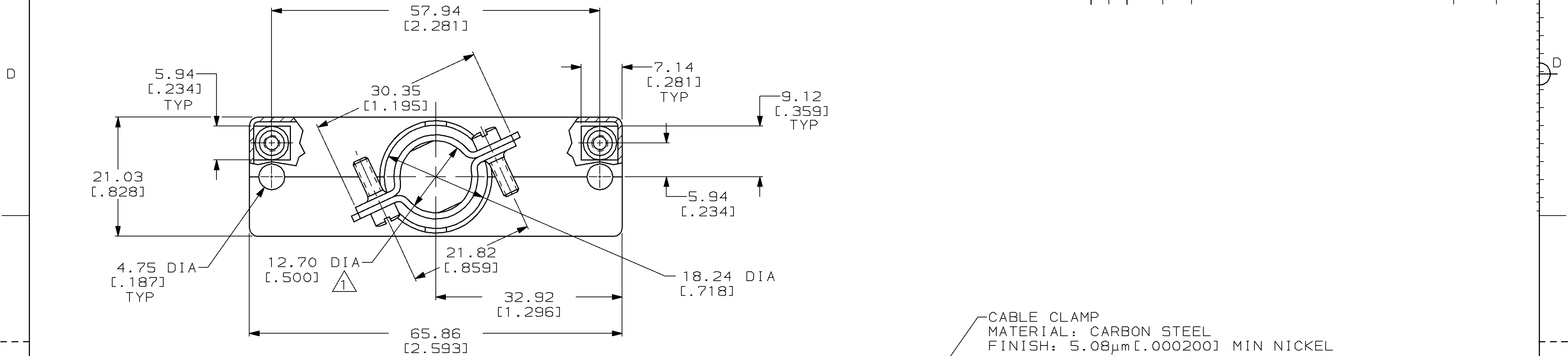
Tel: +86-755-8981 8866 Fax: +86-755-8427 6832

Email & Skype: info@chipsmall.com Web: www.chipsmall.com

Address: A1208, Overseas Decoration Building, #122 Zhenhua RD., Futian, Shenzhen, China



MOD	LOC	DIST	P	F	ZONE	LTR	DESCRIPTION	DATE	APPD
2	BD	36				N	REDRAWN W/O CHANGE PER EC 0020-1084-94	10/26/94	TC



AMP, PART NUMBER AND DATE CODE, INK STAMPED IN THIS AREA

#4-40 UNC-2A SCREW  
MATERIAL: CARBON STEEL  
FINISH: ZINC PLATED  
6 EACH

△ CLAMP AREA ACCEPTS 50 WIRES OF 1.65 [.065] MAX OUTSIDE DIAMETER.

5.08µm [.000200] MIN NICKEL	CARBON STEEL	201443-2
CLEAR ANODIZED	ALUMINUM ALLOY	201443-1
FINISH	MATERIAL	

SHEILD HALF		PART NO	
DO NOT SCALE PRINT. UNLESS SPECIFIED DIMENSIONS IN mm [INCHES] TOLERANCES ON : 2 PLC DEC ±0.38 [.015] 3 PLC DEC ± - ANGLES ± -	DR 10/26/94 K.FOLTZ	AMP Incorporated Harrisburg, PA 17105-3608	
MATERIAL	CHK 11/07/94 R.STONE		
SEE CALLOUTS	APPD 01/26/95 T.COULSON	NAME	
FINISH	APPD 01/26/95 T.COULSON	SHIELD KIT, UNASSEMBLED, LONG 50 POSITION, M SERIES	
SEE CALLOUTS	PRODUCT SPEC	SIZE	CAGE CODE
	APPLICATION SPEC	③	00779
	WEIGHT -	DRAWING NO	③=201443
		SCALE	SHEET
		2:1	1 OF 1

THIS DRAWING IS A CONTROLLED DOCUMENT FOR AMP INCORPORATED. IT IS SUBJECT TO CHANGE AND THE CONTROLLING ENGINEERING ORGANIZATION SHOULD BE CONTACTED FOR THE LATEST REVISION.