



Chipsmall Limited consists of a professional team with an average of over 10 year of expertise in the distribution of electronic components. Based in Hongkong, we have already established firm and mutual-benefit business relationships with customers from,Europe,America and south Asia,supplying obsolete and hard-to-find components to meet their specific needs.

With the principle of "Quality Parts,Customers Priority,Honest Operation,and Considerate Service",our business mainly focus on the distribution of electronic components. Line cards we deal with include Microchip,ALPS,ROHM,Xilinx,Pulse,ON,Everlight and Freescale. Main products comprise IC,Modules,Potentiometer,IC Socket,Relay,Connector.Our parts cover such applications as commercial,industrial, and automotives areas.

We are looking forward to setting up business relationship with you and hope to provide you with the best service and solution. Let us make a better world for our industry!



## Contact us

Tel: +86-755-8981 8866 Fax: +86-755-8427 6832

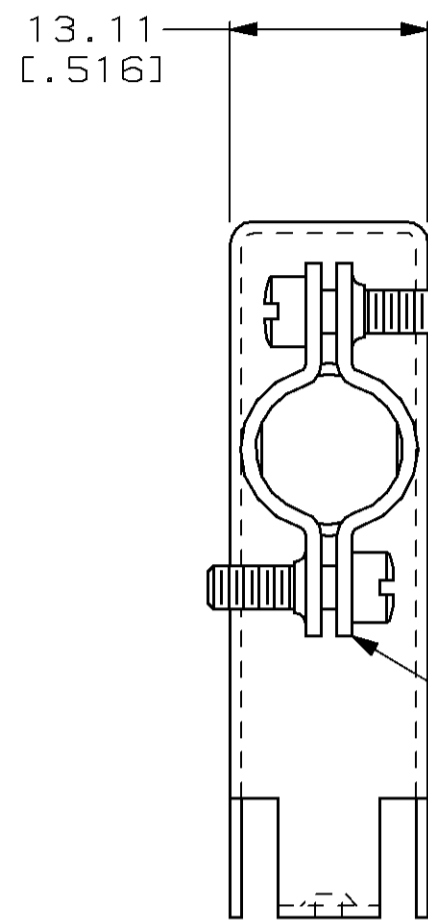
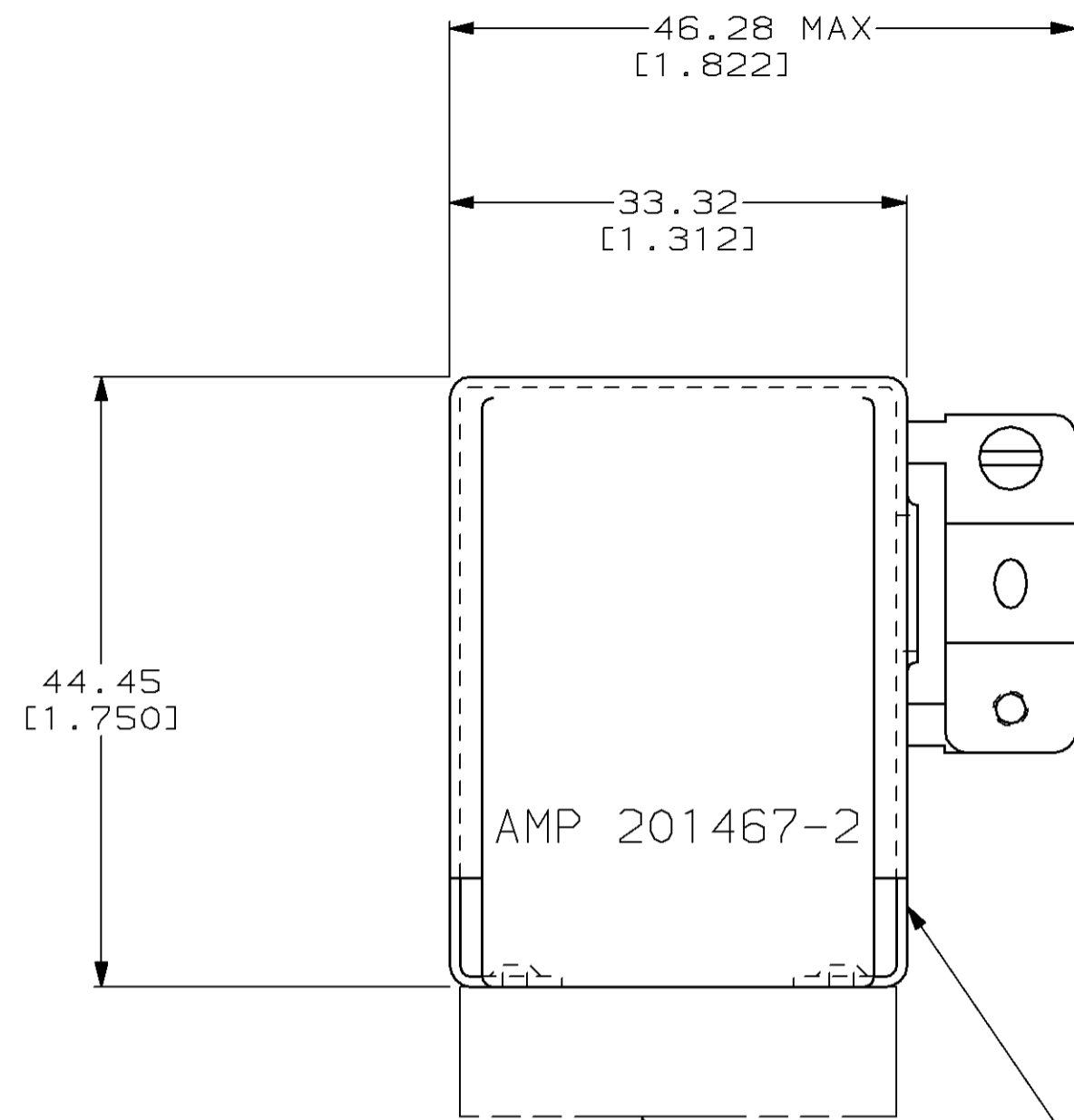
Email & Skype: info@chipsmall.com Web: www.chipsmall.com

Address: A1208, Overseas Decoration Building, #122 Zhenhua RD., Futian, Shenzhen, China



THIS DRAWING IS UNPUBLISHED. RELEASED FOR PUBLICATION  
 BY AMP INCORPORATED. ALL RIGHTS RESERVED.

LOC	DIST	REVISIONS			
P	LTR	DESCRIPTION	DATE	DWN	APVD
BD	36	F	REDRAWN PER EC 0020-1246-95	26 FEB 96	-



4-40 UNC FILLISTER HEAD SCREW  
 MATERIAL: CARBON STEEL  
 FINISH: 3.81µm [0.000150] MIN ZINC  
 2 EACH

CABLE CLAMP  
 MATERIAL: CARBON STEEL  
 FINISH: 5.08µm [0.000200] MIN NICKEL  
 2 EACH

SHIELD  
 MATERIAL: CARBON STEEL  
 FINISH: 5.08µm [0.000200] MIN NICKEL

BLOCK

ASSEMBLED VIEW

1. CABLE CLAMP WILL ACCEPT 14 WIRES OF 1.78 [0.070] MAX DIA.

201467-2  
 PART NUMBER

<small>THIS DRAWING IS A CONTROLLED DOCUMENT FOR AMP INCORPORATED. IT IS SUBJECT TO CHANGE AND THE CONTROLLING ENGINEERING ORGANIZATION SHOULD BE CONTACTED FOR THE LATEST REVISION.</small>		DWN C. DORWART 26 FEB 96	AMP Incorporated Harrisburg, PA 17105-3608
DIMENSIONS: mm [INCHES]		CHK R. STONE 29 FEB 96	
TOLERANCES UNLESS OTHERWISE SPECIFIED: 0 PLC ±- 1 PLC ±- 2 PLC ±0.41 [0.016] 3 PLC ±- 4 PLC ±- ANGLES ±- FINISH -		APVD G. STEINHAUER 07 MAR 96	NAME G. STEINHAUER
		PRODUCT SPEC -	SHIELD KIT, UNASSEMBLED, 14 POSITION, M SERIES
MATERIAL -		APPLICATION SPEC -	SIZE A2
		WEIGHT -	CAGE CODE 00779
		CUSTOMER DRAWING	DRAWING NO C-201467
		SCALE 2:1	SHEET 1 OF 1
			REV F

201467