



Chipsmall Limited consists of a professional team with an average of over 10 year of expertise in the distribution of electronic components. Based in Hongkong, we have already established firm and mutual-benefit business relationships with customers from,Europe,America and south Asia,supplying obsolete and hard-to-find components to meet their specific needs.

With the principle of "Quality Parts,Customers Priority,Honest Operation,and Considerate Service",our business mainly focus on the distribution of electronic components. Line cards we deal with include Microchip,ALPS,ROHM,Xilinx,Pulse,ON,Everlight and Freescale. Main products comprise IC,Modules,Potentiometer,IC Socket,Relay,Connector.Our parts cover such applications as commercial,industrial, and automotives areas.

We are looking forward to setting up business relationship with you and hope to provide you with the best service and solution. Let us make a better world for our industry!



Contact us

Tel: +86-755-8981 8866 Fax: +86-755-8427 6832

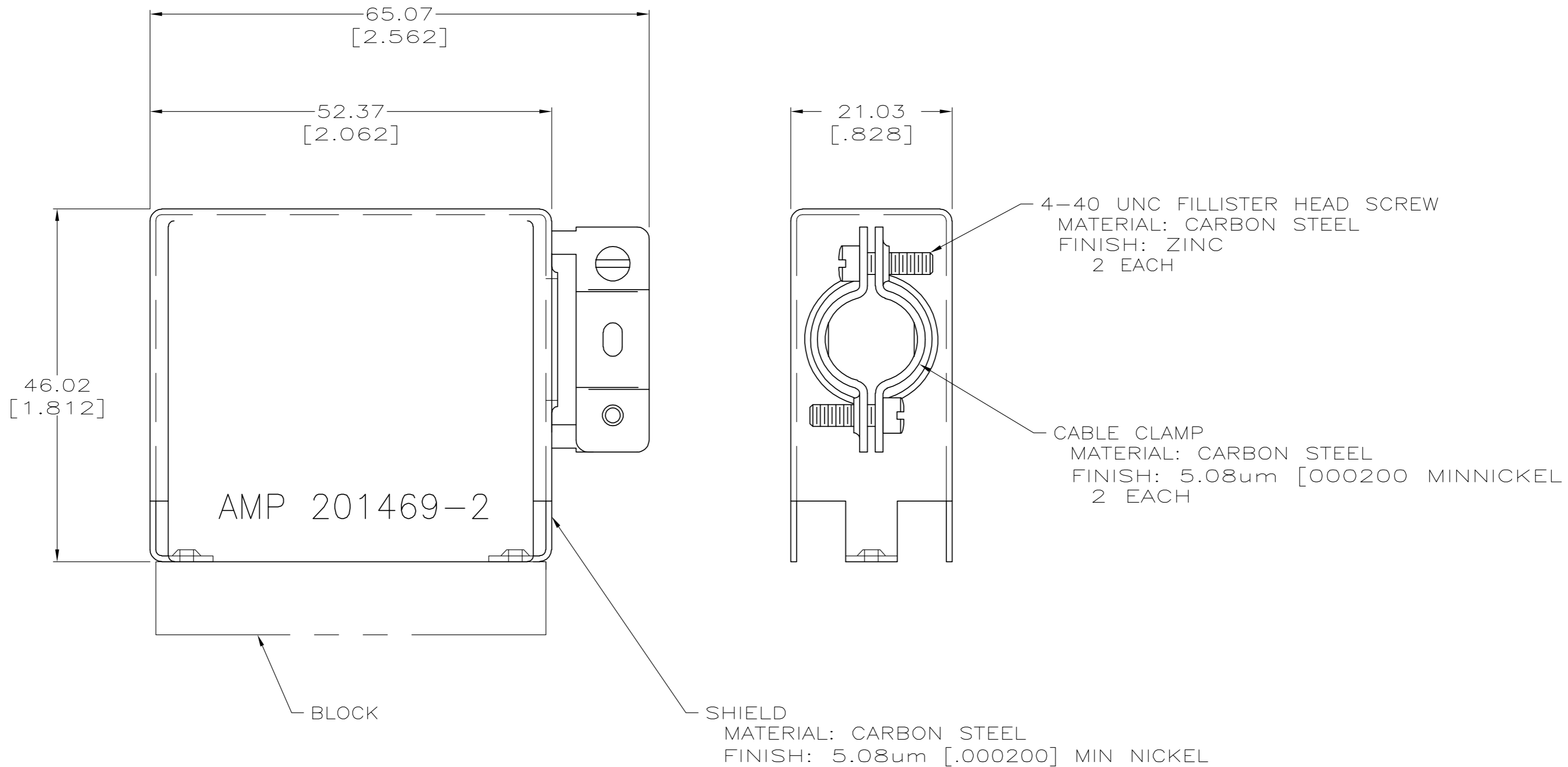
Email & Skype: info@chipsmall.com Web: www.chipsmall.com

Address: A1208, Overseas Decoration Building, #122 Zhenhua RD., Futian, Shenzhen, China



THIS DRAWING IS UNPUBLISHED. RELEASED FOR PUBLICATION
 © COPYRIGHT BY TYCO ELECTRONICS CORPORATION. ALL RIGHTS RESERVED.

LOC		DIST		REVISIONS			
P	LTR	DESCRIPTION		DATE	DWN	APVD	
FT	0	F1	REVISED PER ECO-06-21627	9/13/06	SS	GS	



ASSEMBLED VIEW

3	201469-3
2	201469-2
SCREW FINISH	PART NUMBER

- CABLE CLAMP WILL ACCEPT 34 WIRES OF 1.78 [.070] MAX DIA.
- FINISH: ZINC WITH HEXAVALENT CHROMATE.
- FINISH: ZINC WITH NON-HEVALENT CHROMATE.

THIS DRAWING IS A CONTROLLED DOCUMENT.		DWN	07 NOV 95	Tyco Electronics Corporation	
DIMENSIONS: mm [INCHES]		CHK	15 DEC 95	Harrisburg, PA 17105-3608	
TOLERANCES UNLESS OTHERWISE SPECIFIED:		APVD	18 JAN 96	NAME	
0 PLC	± -	G.STEINHAUER		SHIELD KIT, UNASSEMBLED, SHORT, 34 POSITION, M SERIES	
1 PLC	± -	APPLICATION SPEC		SIZE	RESTRICTED TO
2 PLC	± 0.38 [.015]	WEIGHT		A2	-
3 PLC	± -	CUSTOMER DRAWING		CAGE CODE	00779
4 PLC	± -	SCALE		DRAWING NO	C=201469
ANGLES	± -	SHEET		1 of 1	
FINISH	-	REV		F1	