



Chipsmall Limited consists of a professional team with an average of over 10 year of expertise in the distribution of electronic components. Based in Hongkong, we have already established firm and mutual-benefit business relationships with customers from,Europe,America and south Asia,supplying obsolete and hard-to-find components to meet their specific needs.

With the principle of “Quality Parts,Customers Priority,Honest Operation,and Considerate Service”,our business mainly focus on the distribution of electronic components. Line cards we deal with include Microchip,ALPS,ROHM,Xilinx,Pulse,ON,Everlight and Freescale. Main products comprise IC,Modules,Potentiometer,IC Socket,Relay,Connector.Our parts cover such applications as commercial,industrial, and automotives areas.

We are looking forward to setting up business relationship with you and hope to provide you with the best service and solution. Let us make a better world for our industry!



## Contact us

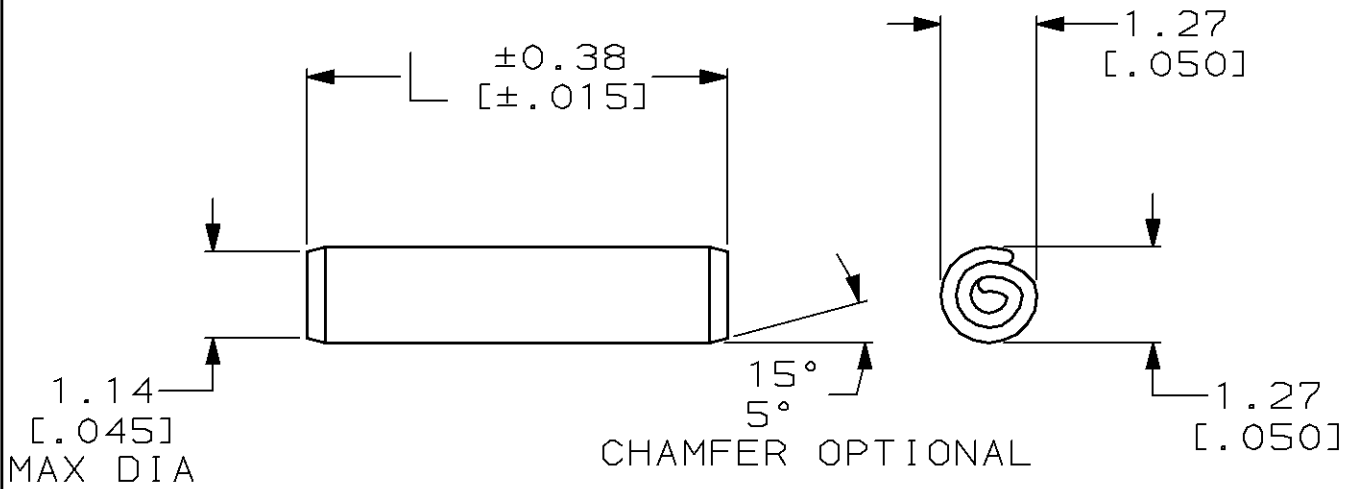
Tel: +86-755-8981 8866 Fax: +86-755-8427 6832

Email & Skype: info@chipsmall.com Web: www.chipsmall.com

Address: A1208, Overseas Decoration Building, #122 Zhenhua RD., Futian, Shenzhen, China



LOC	DIST	REVISIONS				
P	LTR	DESCRIPTION	DATE	DWN	APVD	
FT	8	H	REDRAWN W/O CHANGE PER EC 0020-287-96	03 JUN 96	-	-



3.18 [.125]	201501-3
4.78 [.188]	201501-2
5.56 [.219]	201501-1
L	PART NUMBER

RELEASED FOR PUBLICATION

THIS DRAWING IS UNPUBLISHED.

ALL RIGHTS RESERVED.

BY AMP INCORPORATED.

COPYRIGHT 19

©

DIMENSIONS: mm [INCHES]	DWN C. REIFSNYDER 03 JUN 96	MATERIAL STAINLESS STEEL	FINISH PASSIVATED
	CHK R. STONE 16 JUL 96	AMP Incorporated Harrisburg, PA 17105-3608	
TOLERANCES UNLESS OTHERWISE SPECIFIED:	APVD G. A. STEINHAUER 23 JUL 96	NAME SPIROL PIN, MEDIUM DUTY, M SERIES	
	PRODUCT SPEC -	SIZE A4	CAGE CODE 00779
0 PLC ±-	APPLICATION SPEC -	DRAWING NO C-201501	SCALE 10:1
1 PLC ±-	WEIGHT -	SHEET 1 OF 1	REV H
2 PLC ±0.08 [.003]	CUSTOMER DRAWING		
3 PLC ±-			
4 PLC ±-			
ANGLES ±-			

