



Chipsmall Limited consists of a professional team with an average of over 10 year of expertise in the distribution of electronic components. Based in Hongkong, we have already established firm and mutual-benefit business relationships with customers from,Europe,America and south Asia,supplying obsolete and hard-to-find components to meet their specific needs.

With the principle of “Quality Parts,Customers Priority,Honest Operation,and Considerate Service”,our business mainly focus on the distribution of electronic components. Line cards we deal with include Microchip,ALPS,ROHM,Xilinx,Pulse,ON,Everlight and Freescale. Main products comprise IC,Modules,Potentiometer,IC Socket,Relay,Connector.Our parts cover such applications as commercial,industrial, and automotives areas.

We are looking forward to setting up business relationship with you and hope to provide you with the best service and solution. Let us make a better world for our industry!



Contact us

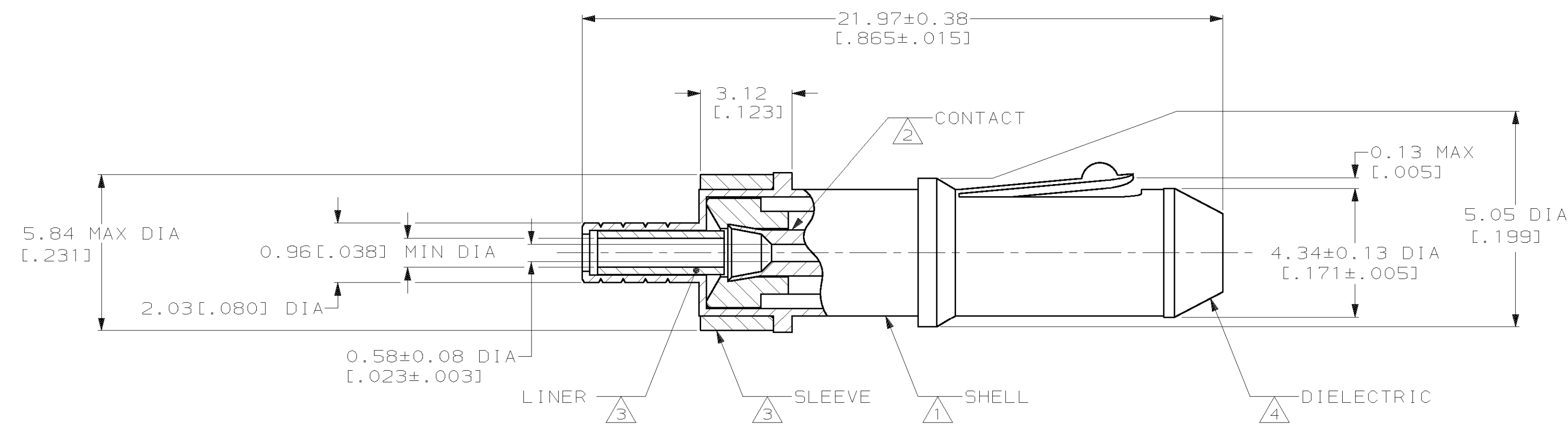
Tel: +86-755-8981 8866 Fax: +86-755-8427 6832

Email & Skype: info@chipsmall.com Web: www.chipsmall.com

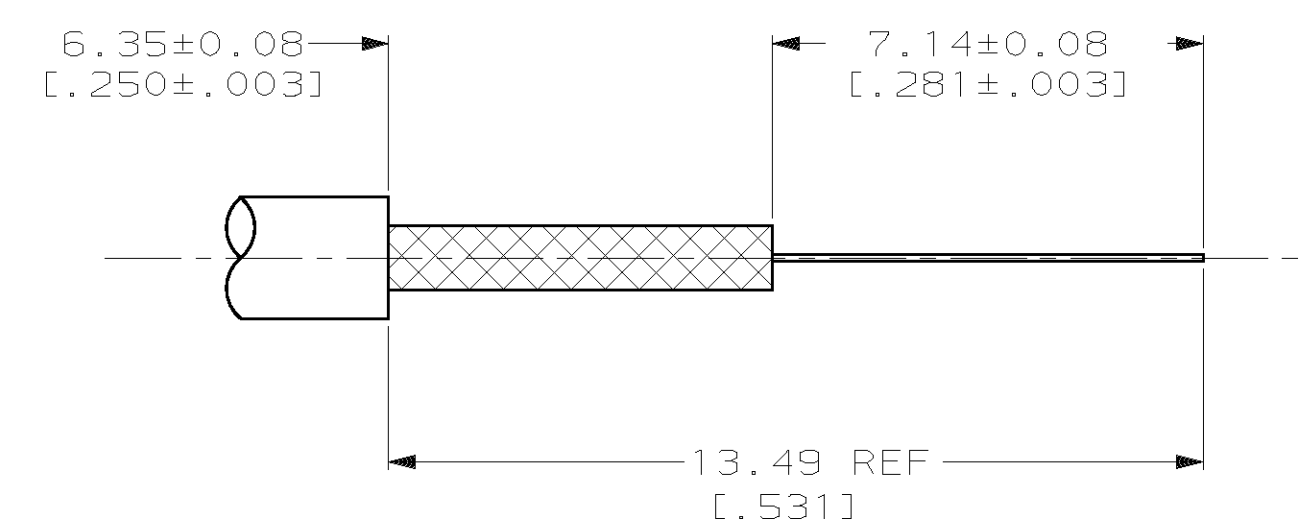
Address: A1208, Overseas Decoration Building, #122 Zhenhua RD., Futian, Shenzhen, China



REVISONS		DATE	APPD
LOC	DIST		
AJ	16		
P	F		
ZONE	LTR		
AJ		27 JUN 00	MO
DESCRIPTION			
REV PER 0020-0259-00			



- 1 BRASS PER QQ-B-626.
- 2 BERYLLIUM COPPER PER ASTM-B-196
- 3 NYLON PER ASTM-D-4066, BLACK
- 4 POLYMETHYLPENTENE GENERAL PURPOSE, NATURAL.
- 5 .00076 [0.00030] MINIMUM GOLD PER MIL-G-45204.
- 6 .00254 [0.00100] MINIMUM GOLD PER MIL-G-45204
7. SEE IS 1770.



RECOMMENDED STRIP LENGTH

OBSOLETE	CONTACT PLATING	SHELL PLATING	WEIGHT	PART NUMBER
	6/5	6/5	.030 OUNCES	201511-3
	6/5	6/5	.030 OUNCES	201511-1

DO NOT SCALE PRINT. UNLESS SPECIFIED DIMENSIONS IN INCHES TOLERANCES ON:		DR 1-8-90 J. LIPPERT		AMP INCORPORATED Harrisburg, Pa. 17105	
2 PLC DEC ± .008		CHK 2-23-90 M. SNEED		NAME	
3 PLC DEC ± -		APPD 2-23-90 B. ADAMS		PIN, MINIATURE SERIES	
ANGLES ± -		APPD 2-23-90 M. SNEED		PRODUCT SPEC 108-12021	
FINISH		APPLICATION SPEC -		SIZE D	CAGE CODE 00779
MATERIAL		WEIGHT SEE TABLE		SCALE 8:1	DRAWING NO 201511
1 2 3 4				SHEET 1 OF 1	
5 6					

CUSTOMER DRAWING