



Chipsmall Limited consists of a professional team with an average of over 10 year of expertise in the distribution of electronic components. Based in Hongkong, we have already established firm and mutual-benefit business relationships with customers from,Europe,America and south Asia,supplying obsolete and hard-to-find components to meet their specific needs.

With the principle of “Quality Parts,Customers Priority,Honest Operation,and Considerate Service”,our business mainly focus on the distribution of electronic components. Line cards we deal with include Microchip,ALPS,ROHM,Xilinx,Pulse,ON,Everlight and Freescale. Main products comprise IC,Modules,Potentiometer,IC Socket,Relay,Connector.Our parts cover such applications as commercial,industrial, and automotives areas.

We are looking forward to setting up business relationship with you and hope to provide you with the best service and solution. Let us make a better world for our industry!



Contact us

Tel: +86-755-8981 8866 Fax: +86-755-8427 6832

Email & Skype: info@chipsmall.com Web: www.chipsmall.com

Address: A1208, Overseas Decoration Building, #122 Zhenhua RD., Futian, Shenzhen, China



4

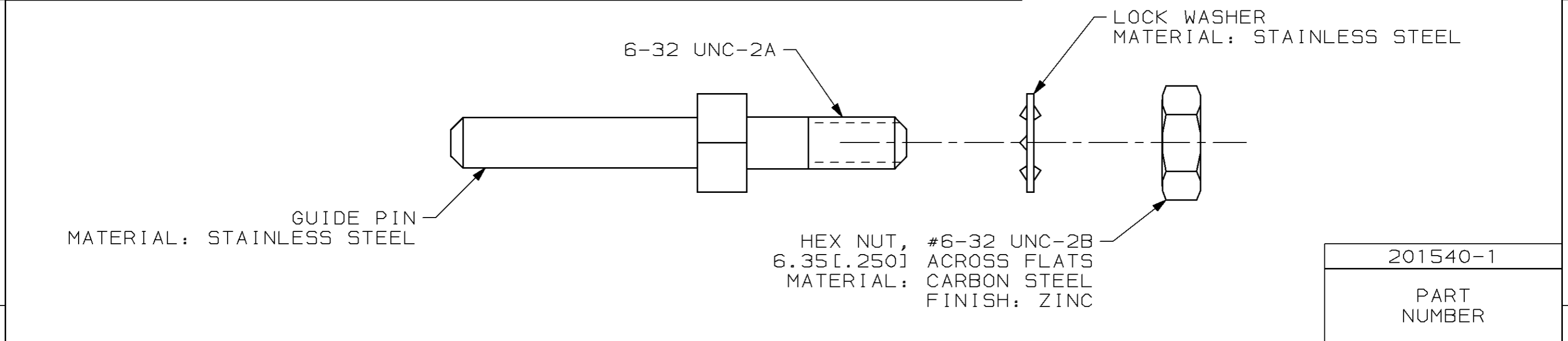
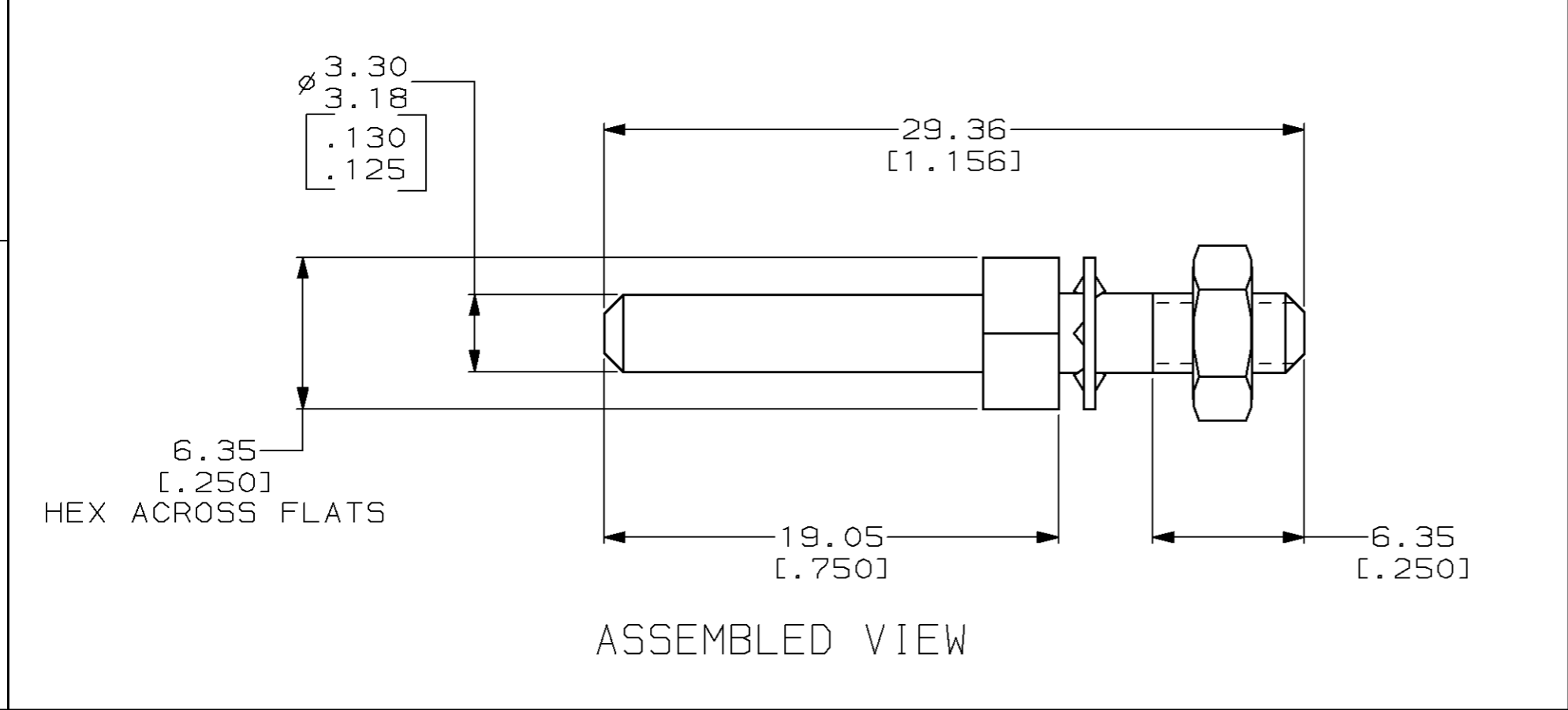
3

2

1

THIS DRAWING IS UNPUBLISHED. RELEASED FOR PUBLICATION ,19 .
 © COPYRIGHT 19 BY AMP INCORPORATED. ALL RIGHTS RESERVED.

LOC	DIST	REVISIONS			
P	LTR	DESCRIPTION	DATE	DWN	APVD
FT	8	H	REDRAWN W/O CHANGE PER EC 0020-287-96	03 JUN 96	-



THIS DRAWING IS A CONTROLLED DOCUMENT.		DWN C. REIFSNYDER 03 JUN 96	AMP AMP Incorporated Harrisburg, PA 17105-3608
DIMENSIONS: mm [INCHES]		CHK R. STONE 17 JUL 96	
TOLERANCES UNLESS OTHERWISE SPECIFIED:		APVD G. A. STEINHAUER 23 JUL 96	NAME GUIDE PIN KIT, UNASSEMBLED, 104 POSITION, CENTER FASTENER, M SERIES
0 PLC ±-		PRODUCT SPEC	
1 PLC ±-		APPLICATION SPEC	SIZE A3
2 PLC ±0.38 [.015]		WEIGHT	CAGE CODE 00779
3 PLC ±-		MATERIAL SEE CALLOUTS	DRAWING NO C-201540
4 PLC ±-			SCALE 4:1
ANGLES ±-		FINISH SEE CALLOUTS	SHEET 1 OF 1
MATERIAL SEE CALLOUTS		FINISH SEE CALLOUTS	REV H
CUSTOMER DRAWING			