



Chipsmall Limited consists of a professional team with an average of over 10 year of expertise in the distribution of electronic components. Based in Hongkong, we have already established firm and mutual-benefit business relationships with customers from,Europe,America and south Asia,supplying obsolete and hard-to-find components to meet their specific needs.

With the principle of "Quality Parts,Customers Priority,Honest Operation,and Considerate Service",our business mainly focus on the distribution of electronic components. Line cards we deal with include Microchip,ALPS,ROHM,Xilinx,Pulse,ON,Everlight and Freescale. Main products comprise IC,Modules,Potentiometer,IC Socket,Relay,Connector.Our parts cover such applications as commercial,industrial, and automotives areas.

We are looking forward to setting up business relationship with you and hope to provide you with the best service and solution. Let us make a better world for our industry!



Contact us

Tel: +86-755-8981 8866 Fax: +86-755-8427 6832

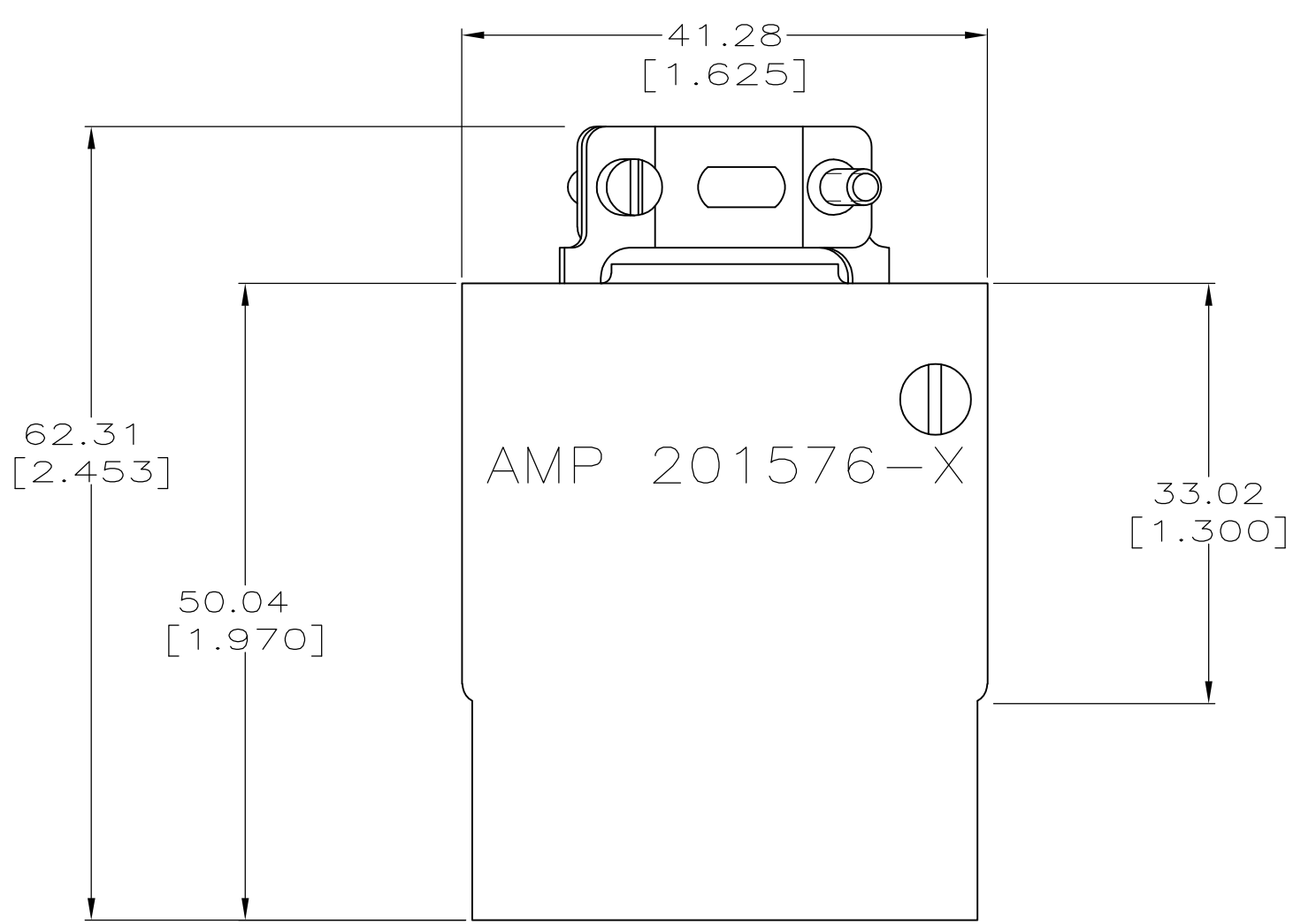
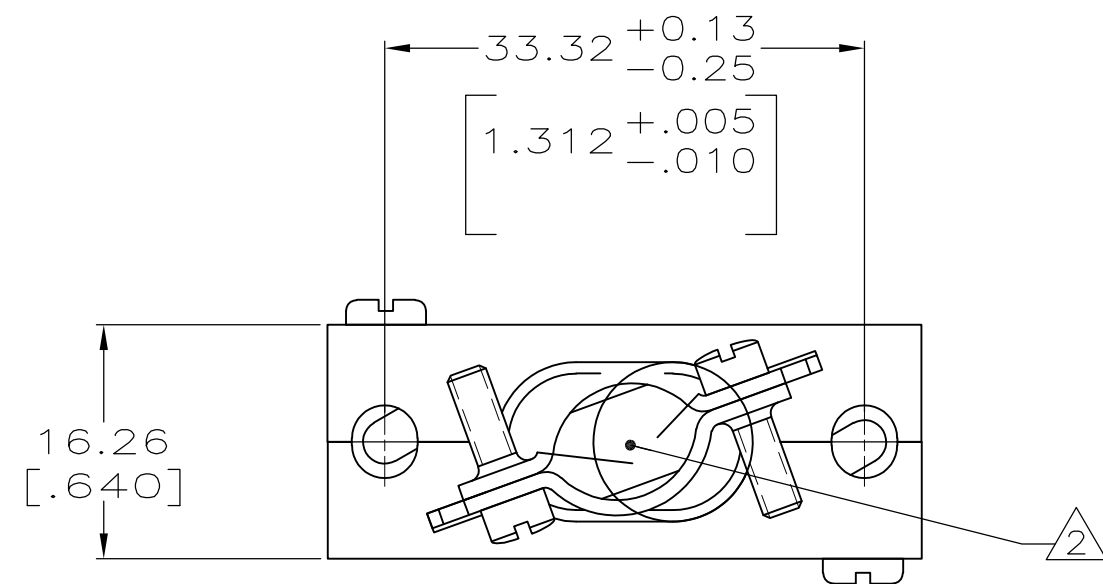
Email & Skype: info@chipsmall.com Web: www.chipsmall.com

Address: A1208, Overseas Decoration Building, #122 Zhenhua RD., Futian, Shenzhen, China

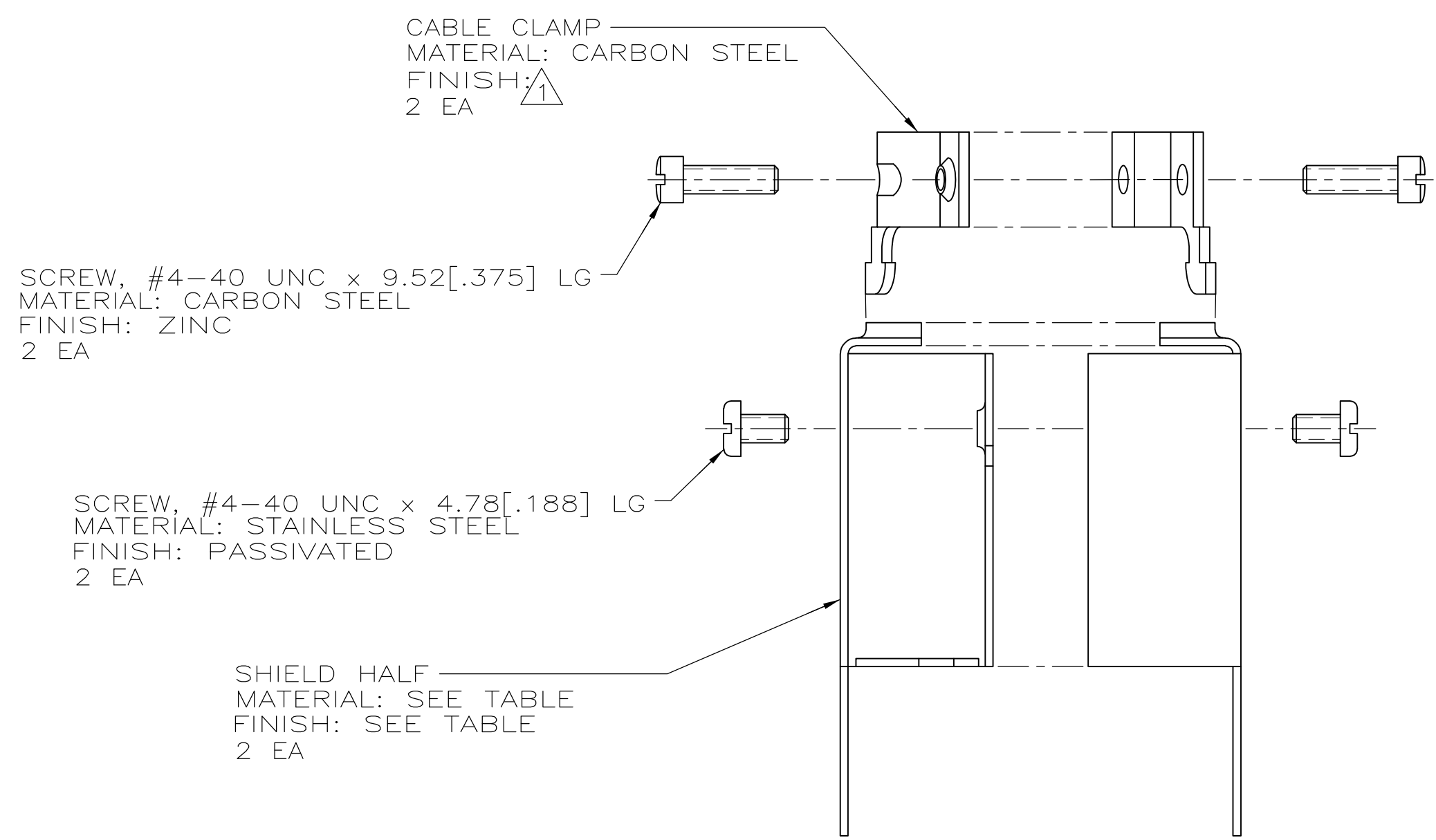


LOC	DIST	REVISIONS			
P	LTR	DESCRIPTION	DATE	DWN	APVD
FT	8				
	F	REDRAWN W/O CHANGE PER EC 0020-291-96	15 APR 97	-	-
	F1	REVISED PER ECO-09-020935	09SEP09	KK	AEG

- ⚠ 5.08 μ m[.000200] MIN NICKEL.
- ⚠ CABLE CLAMP WILL ACCEPT 26 WIRES OF Φ 1.65[.065] MAX.
- ⚠ OBSOLETE PARTS: OBSOLETE CIS STREAMLINING PER D.RENAUD/D.SINISI



ASSEMBLED VIEW



CABLE CLAMP
 MATERIAL: CARBON STEEL
 FINISH: ⚠
 2 EA

SCREW, #4-40 UNC x 9.52[.375] LG
 MATERIAL: CARBON STEEL
 FINISH: ZINC
 2 EA

SCREW, #4-40 UNC x 4.78[.188] LG
 MATERIAL: STAINLESS STEEL
 FINISH: PASSIVATED
 2 EA

SHIELD HALF
 MATERIAL: SEE TABLE
 FINISH: SEE TABLE
 2 EA

⚠	⚠	CARBON STEEL	201576-2
⚠	⚠	ALUMINUM	201576-1
		SHIELD FINISH	PART NUMBER
		SHIELD MATERIAL	

THIS DRAWING IS A CONTROLLED DOCUMENT.		DWN C.OBERMAN 15 APR 97	AMP Incorporated Harrisburg, PA 17105-3608	
DIMENSIONS: mm [INCHES]		CHK R.STONE 06 AUG 96	NAME SHIELD KIT, UNASSEMBLED, LONG, 26 PLACE, M SERIES	
TOLERANCES UNLESS OTHERWISE SPECIFIED:		APVD G.STEINHAUER 21 JAN 97	SIZE A2	CAGE CODE 00779
0 PLC ±-		PRODUCT SPEC	DRAWING NO C-201576	RESTRICTED TO
1 PLC ±-		APPLICATION SPEC	SCALE 2:1	SHEET 1 OF 1
2 PLC ±0.38 [.015]		WEIGHT	REV f1	
3 PLC ±-				
4 PLC ±-				
ANGLES ±-				
MATERIAL SEE CALLOUT	FINISH SEE CALLOUT	CUSTOMER DRAWING		