



Chipsmall Limited consists of a professional team with an average of over 10 year of expertise in the distribution of electronic components. Based in Hongkong, we have already established firm and mutual-benefit business relationships with customers from,Europe,America and south Asia,supplying obsolete and hard-to-find components to meet their specific needs.

With the principle of “Quality Parts,Customers Priority,Honest Operation,and Considerate Service”,our business mainly focus on the distribution of electronic components. Line cards we deal with include Microchip,ALPS,ROHM,Xilinx,Pulse,ON,Everlight and Freescale. Main products comprise IC,Modules,Potentiometer,IC Socket,Relay,Connector.Our parts cover such applications as commercial,industrial, and automotives areas.

We are looking forward to setting up business relationship with you and hope to provide you with the best service and solution. Let us make a better world for our industry!



Contact us

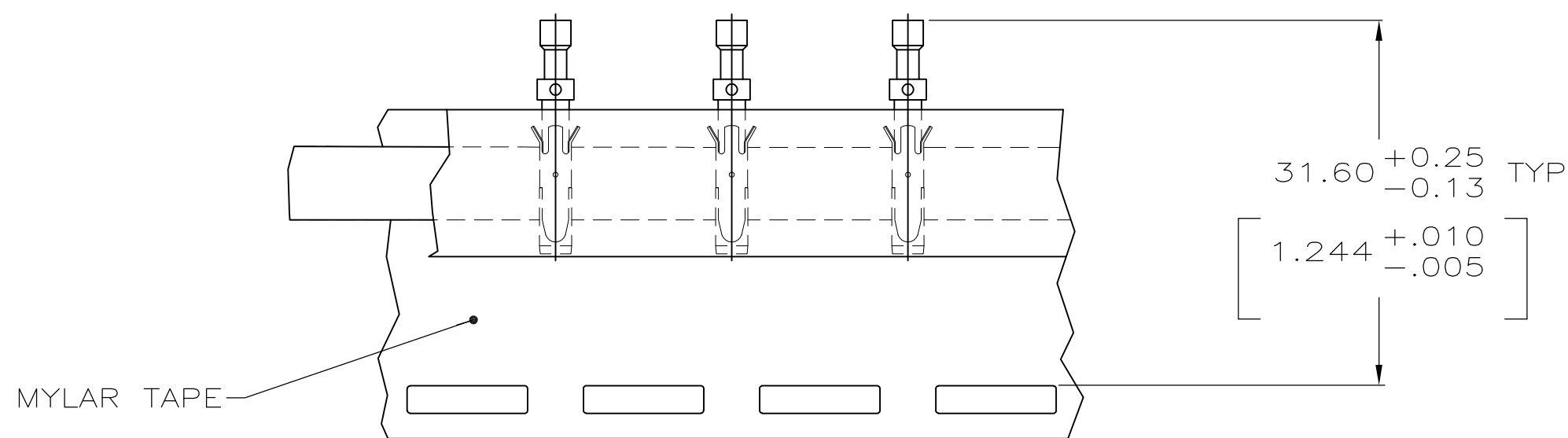
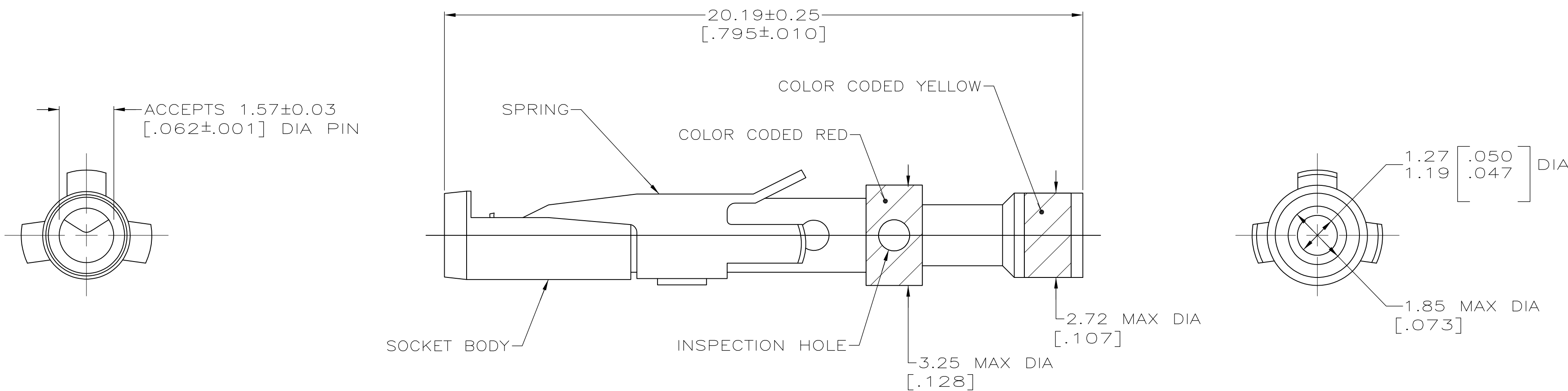
Tel: +86-755-8981 8866 Fax: +86-755-8427 6832

Email & Skype: info@chipsmall.com Web: www.chipsmall.com

Address: A1208, Overseas Decoration Building, #122 Zhenhua RD., Futian, Shenzhen, China



| MOD | LOC | DIST | P | F | ZONE | LTR | DESCRIPTION | DATE | APPD |
|-----|-----|------|---|---|------|-----|--|----------|--------|
| 4 | BD | 39 | | | | T | ADDED -9 PER NPR 4680 AND REDRAWN ON CAD | 04/07/93 | - |
| | | | | | | T1 | REVISED PER ECO-09-020935 | 08SEP09 | KK AEG |



TAPE MTG DETAIL
SCALE 2:1

- ① $0.76 \mu\text{m}$ [$.000030$] MIN GOLD OVER $1.27 \mu\text{m}$ [$.000050$] MIN NICKEL.
- ② $2.54 \mu\text{m}$ [$.000100$] MIN GOLD OVER $1.27 \mu\text{m}$ [$.000050$] MIN NICKEL.
- ③ WHEN ORDERING CONTACT ASSEMBLY ON TAPE, ORDER BY THE TAPE NUMBER PLUS THE PACKAGING CODE AS FOLLOWS:
 1. FOR USE WITH AMP TAPETRONIC, PNEUMATIC TOOL—
 - A. 1000 PARTS TO A BOX ADD PACKAGING CODE: 1MBOX
 2. FOR USE WITH 4/8 INDENT STRIPPER CRIMPER—
 - A. 1000 PARTS TO A REEL ADD PACKAGING CODE: 1MREEL
 - B. 5000 PARTS TO A REEL ADD PACKAGING CODE: 5MREEL
- ④ OBSOLETE PARTS: OBSOLETE CIS STREAMLINING PER D.RENAUD/D.SINISI

| | | | |
|---------------|-------------------------|---|------------|
| ④ OBSOLETE | SMALL PACK | ① | -201580-9- |
| | TAPE MTG (SEE DETAIL) ③ | ② | -201580-7- |
| | TAPE MTG (SEE DETAIL) ③ | ① | -201580-4- |
| | STANDARD | ② | 201580-3 |
| | STANDARD | ① | 201580-1 |

| PACKAGING TYPE | | SOCKET BODY FINISH | PART NO |
|--|---------------------------|--|--|
| DO NOT SCALE PRINT. UNLESS SPECIFIED DIMENSIONS IN mm [INCHES] TOLERANCES ON : | DR 04/07/93 D.GELTZ | AMP AMP Incorporated Harrisburg, PA 17105-3608 | CONTACT ASSEMBLY, SOCKET, #16, 20-24 AWG, TYPE II |
| 2 PLC DEC ± - | CHK 4-26-93 R.STONE | | |
| MATERIAL | APPD 4-29-93 R.S.KLINE | NAME | |
| SOCKET BODY: COPPER ALLOY | APPD - | SIZE | |
| SPRING: STAINLESS STEEL | PRODUCT SPEC | CAGE CODE | DRAWING NO |
| FINISH | APPLICATION SPEC | ③ 00779 | ③-201580 |
| SOCKET BODY: SEE TABLE | WEIGHT - | SCALE 10:1 | SHEET 1 OF 1 |

THIS DRAWING IS A CONTROLLED DOCUMENT FOR AMP INCORPORATED. IT IS SUBJECT TO CHANGE AND THE CONTROLLING ENGINEERING ORGANIZATION SHOULD BE CONTACTED FOR THE LATEST REVISION.