



Chipsmall Limited consists of a professional team with an average of over 10 year of expertise in the distribution of electronic components. Based in Hongkong, we have already established firm and mutual-benefit business relationships with customers from,Europe,America and south Asia,supplying obsolete and hard-to-find components to meet their specific needs.

With the principle of "Quality Parts,Customers Priority,Honest Operation,and Considerate Service",our business mainly focus on the distribution of electronic components. Line cards we deal with include Microchip,ALPS,ROHM,Xilinx,Pulse,ON,Everlight and Freescale. Main products comprise IC,Modules,Potentiometer,IC Socket,Relay,Connector.Our parts cover such applications as commercial,industrial, and automotives areas.

We are looking forward to setting up business relationship with you and hope to provide you with the best service and solution. Let us make a better world for our industry!



## Contact us

Tel: +86-755-8981 8866 Fax: +86-755-8427 6832

Email & Skype: info@chipsmall.com Web: www.chipsmall.com

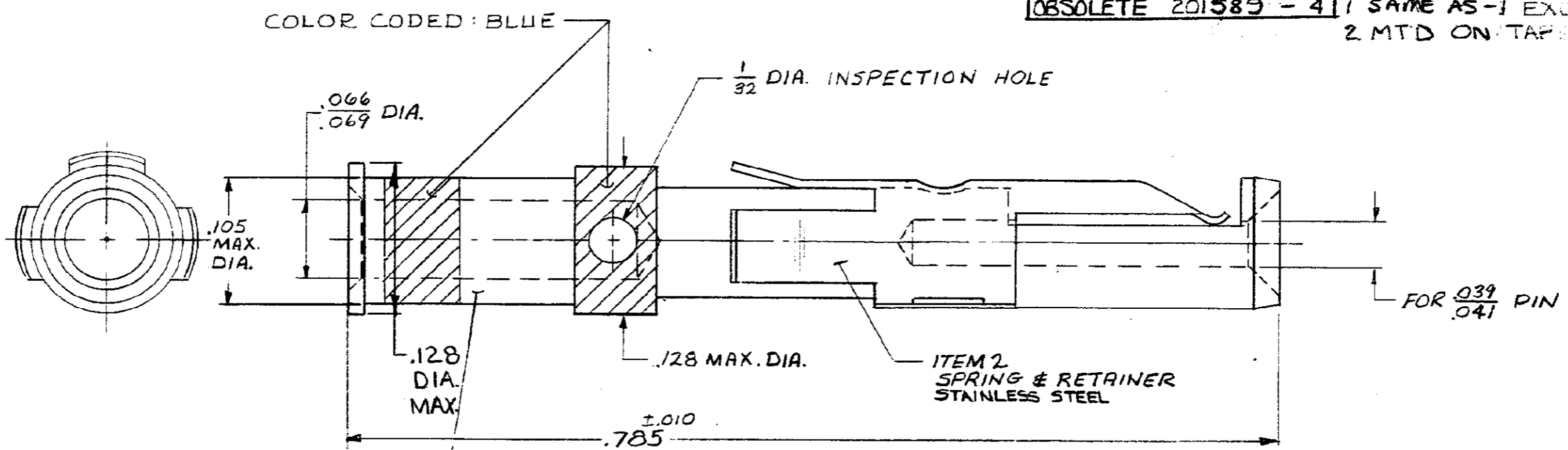
Address: A1208, Overseas Decoration Building, #122 Zhenhua RD., Futian, Shenzhen, China



NUMBER  
201589

USED ON

- OBSOLETE** 201589 -1 1. AS SHOWN.
- OBSOLETE** 201589 -2 1. SAME AS -1 EXCEPT;  
2. FINISH OF ITEM 1, .0001 MIN SILVER OVER .00005 MIN NI
- OBSOLETE** 201589 -3 1. SAME AS -1 EXCEPT;  
2. FINISH OF ITEM 1, .0001 MIN GOLD OVER .0001 MIN SILVER
- OBSOLETE 201589 -4** 1. SAME AS -1 EXCEPT;  
2. MTD ON TAPE.



ITEM 1  
SOCKET BODY  
COPPER ALLOY  
.00003 MIN GOLD OVER .00005 MIN NICKEL

**WHEN ORDERING CONTACT ON TAPE, ORDER BY THE TAPE NUMBER PLUS THE PACKAGING CODE AS FOLLOWS:**

1. FOR USE WITH AMP TAPETRONIC, PNEUMATIC TOOL—
  - A. 1000 PARTS TO A BOX ADD PACKAGING CODE: 1MBOX
2. FOR USE WITH 4/8 INDENT STRIPPER CRIMPER—
  - A. 1000 PARTS TO A REEL ADD PACKAGING CODE: 1MREEL
  - B. 5000 PARTS TO A REEL ADD PACKAGING CODE: 5MREEL

DIMENSIONS IN INCHES. DO NOT SCALE PRINT.  
PROPOSAL NO. C/PW-461-X13

PRINT DIST  
39

M	OBS-24-3 ECN BD3038		2.6.10.87
L	REV PER ECN BD2619		11/13/89
K	OBSOLETE -4 PER	S 4350	MWD 12-87
J	REVISED	S 4442	THW 9-87
H	INACTIVATED -4	J 0053	2/24/86
G	REV. PER ECN	B 838	2/24/87
F	NOTE ADDED	B 141	1/18/77
E	REV RETAINER SPRING TO SST	Z 808	10/22/88
D	AGE -4	Z 361	7-7-8
C	REVISED	W-525	8/27/73
B	REVISED	U-5	8-22-8
A	REVISED	S341	1/14/8
A	REVISED	R774	1/16/7

REF: 1950-317-35

TO  
EXCEPT AS NOTED  
DECIMALS = 005  
FRACTIONS = 1/16

© 1961 BY AMP INC. HARRISBURG, PENNA.  
AMP PATENTS COVERED BY PATENTS  
AND/OR PATENT PENDING

MATERIAL SEE CALL OUT	DR J. Ruff 11/10/61	ENGR J. S. ... 11-16-61
HEAT TREAT H	CHK J. ... 11-30-61	APP J. ... 11/16/61
<b>AMP</b> AMP INCORPORATED HARRISBURG, PENNA.		
FINISH SEE CALL OUT		
NAME #20 SOCKET CONTACT ASSY		
WIRE SIZE 18-16		
SCALE 10:1	LOC BD	NO 201589
		REV M