



Chipsmall Limited consists of a professional team with an average of over 10 year of expertise in the distribution of electronic components. Based in Hongkong, we have already established firm and mutual-benefit business relationships with customers from,Europe,America and south Asia,supplying obsolete and hard-to-find components to meet their specific needs.

With the principle of “Quality Parts,Customers Priority,Honest Operation,and Considerate Service”,our business mainly focus on the distribution of electronic components. Line cards we deal with include Microchip,ALPS,ROHM,Xilinx,Pulse,ON,Everlight and Freescale. Main products comprise IC,Modules,Potentiometer,IC Socket,Relay,Connector.Our parts cover such applications as commercial,industrial, and automotives areas.

We are looking forward to setting up business relationship with you and hope to provide you with the best service and solution. Let us make a better world for our industry!



Contact us

Tel: +86-755-8981 8866 Fax: +86-755-8427 6832

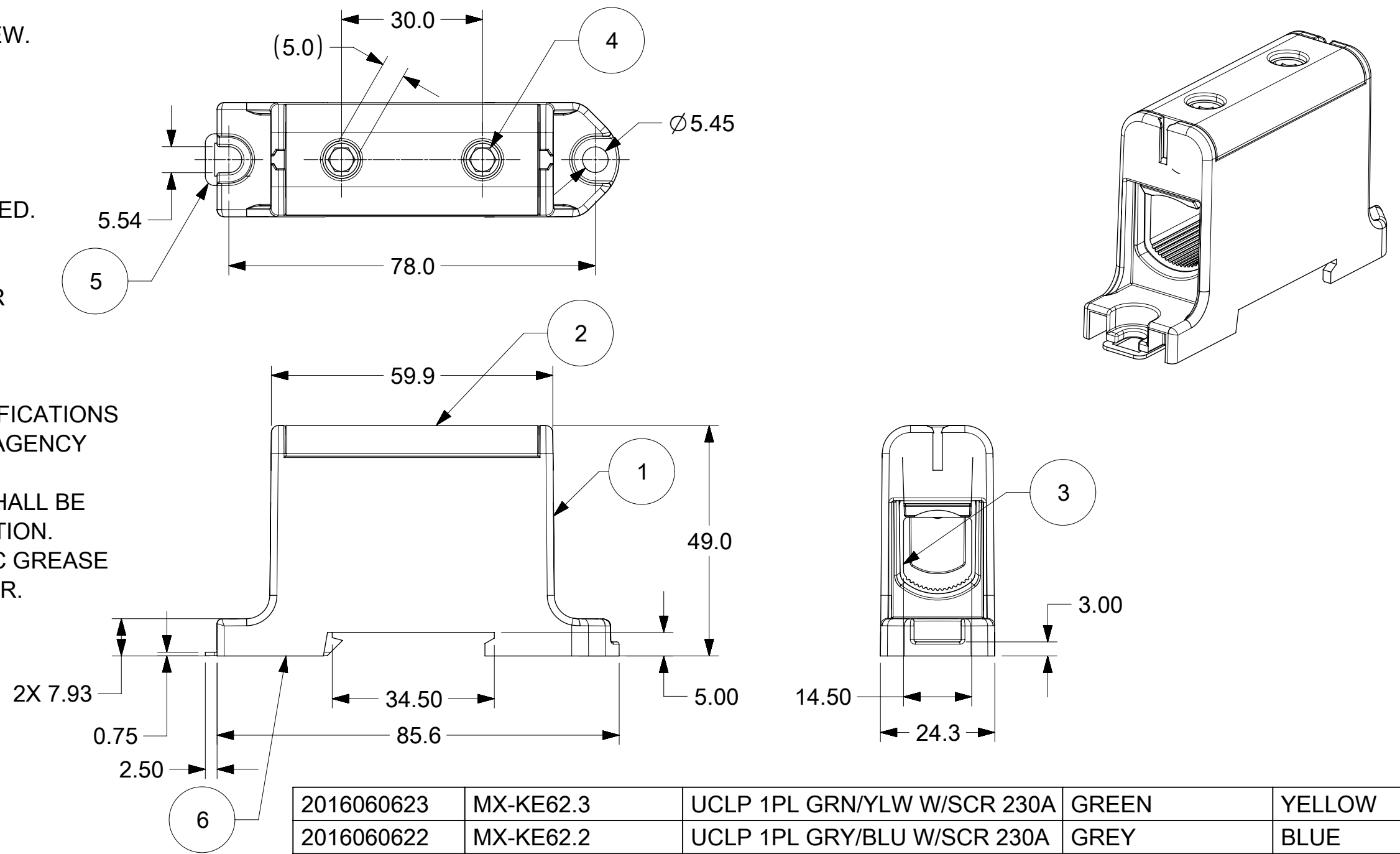
Email & Skype: info@chipsmall.com Web: www.chipsmall.com

Address: A1208, Overseas Decoration Building, #122 Zhenhua RD., Futian, Shenzhen, China



NOTES:

1. MOUNTING TYPE: 35mm DIN RAIL OR SCREW.
2. VOLTAGE: 600 V (UL).
3. CURRENT: Cu 230 A, Al 180 A (UL).
4. WIRE CROSS-SECTION RANGE, UL:
Cu/Al 4-4/0 AWG (21-107mm²) STRANDED,
Cu 3 X 6 AWG (3 X 13.3mm²) STRANDED,
Cu 2 X 2-6 AWG (2 X 13.3-33.6mm²) STRANDED.
5. HEAD CAP SCREW WITH 5 mm HEXAGON SOCKET SIZE.
USE A TOOL WITH LENGTH ALLOWING FOR A FULL SCREW ENGAGEMENT.
6. RECOMMENDED TIGHTENING TORQUE:
126 Lb-In (14 Nm).
7. ALL ELECTRICAL AND MECHANICAL SPECIFICATIONS ARE PER UL1059 AS NOTED IN MOLEX UL AGENCY APPROVAL.
8. THE SUITABILITY OF THESE TERMINALS SHALL BE DETERMINED IN THE END-USE INVESTIGATION.
9. AS ENVIRONMENTAL BARRIER DIELECTRIC GREASE MAY BE PRESENT IN THE WIRING CHAMBER. ENSURE TO USE THE RECOMMENDED TIGHTENING TORQUE FOR ALL CONDUCTORS.



2016060623	MX-KE62.3	UCLP 1PL GRN/YLW W/SCR 230A	GREEN	YELLOW
2016060622	MX-KE62.2	UCLP 1PL GRY/BLU W/SCR 230A	GREY	BLUE
2016060620	MX-KE62	UCLP 1PL GRY/GRY W/SCR 230A	GREY	GREY
MATERIAL No.	ENGINEERING No.	DESCRIPTION	HOUSING COLOR	COVER COLOR

ITEM	QTY	DESCRIPTION	MATERIAL
6	1	SPRING, LATCH	STEEL
5	1	LATCH, DIN	STEEL
4	2	SCREW, SET	ALUMINUM
3	1	CAGE	ALUMINUM
2	1	COVER	POLYAMIDE
1	1	HOUSING	POLYAMIDE

THIS DRAWING CONTAINS INFORMATION THAT IS PROPRIETARY TO MOLEX ELECTRONIC TECHNOLOGIES, LLC AND SHOULD NOT BE USED WITHOUT WRITTEN PERMISSION

QUALITY SYMBOLS	EC NO: 120665 DRWN: WLEUNG CHKD: DNGUYEN62 APPR: JFMURPHY	2017/08/14 2017/08/15 2017/08/18	GENERAL TOLERANCES (UNLESS SPECIFIED) ANGULAR TOL ± ° 4 PLACES ± 3 PLACES ± 2 PLACES ± SEE CHART 1 PLACE ± SEE CHART 0 PLACES ±	DIMENSION UNITS: mm SCALE: 1:1 DRWN BY: WLEUNG DATE: 2017/08/14 CHK'D BY: DNGUYEN62 DATE: 2017/08/15 APPR BY: JFMURPHY DATE: 2017/08/18	molex® MX-KE62 PRODUCT CUSTOMER DRAWING
TOLERANCE ISO 2768-m >0.5=3 ±0.1 >3=6 ±0.1 >6=30 ±0.2 >30=120 ±0.3 >120=400 ±0.5	DRAFT WHERE APPLICABLE MUST REMAIN WITHIN DIMENSIONS	DRAWING SIZE: B THIRD ANGLE PROJECTION	SERIES: 201606 MATERIAL NUMBER: SEE CHART CUSTOMER:	DOCUMENT NUMBER: 2016060620 DOC TYPE: PSD DOC PART: 000 SHEET NUMBER: 1 OF 1	