



Chipsmall Limited consists of a professional team with an average of over 10 year of expertise in the distribution of electronic components. Based in Hongkong, we have already established firm and mutual-benefit business relationships with customers from,Europe,America and south Asia,supplying obsolete and hard-to-find components to meet their specific needs.

With the principle of “Quality Parts,Customers Priority,Honest Operation,and Considerate Service”,our business mainly focus on the distribution of electronic components. Line cards we deal with include Microchip,ALPS,ROHM,Xilinx,Pulse,ON,Everlight and Freescale. Main products comprise IC,Modules,Potentiometer,IC Socket,Relay,Connector.Our parts cover such applications as commercial,industrial, and automotives areas.

We are looking forward to setting up business relationship with you and hope to provide you with the best service and solution. Let us make a better world for our industry!



Contact us

Tel: +86-755-8981 8866 Fax: +86-755-8427 6832

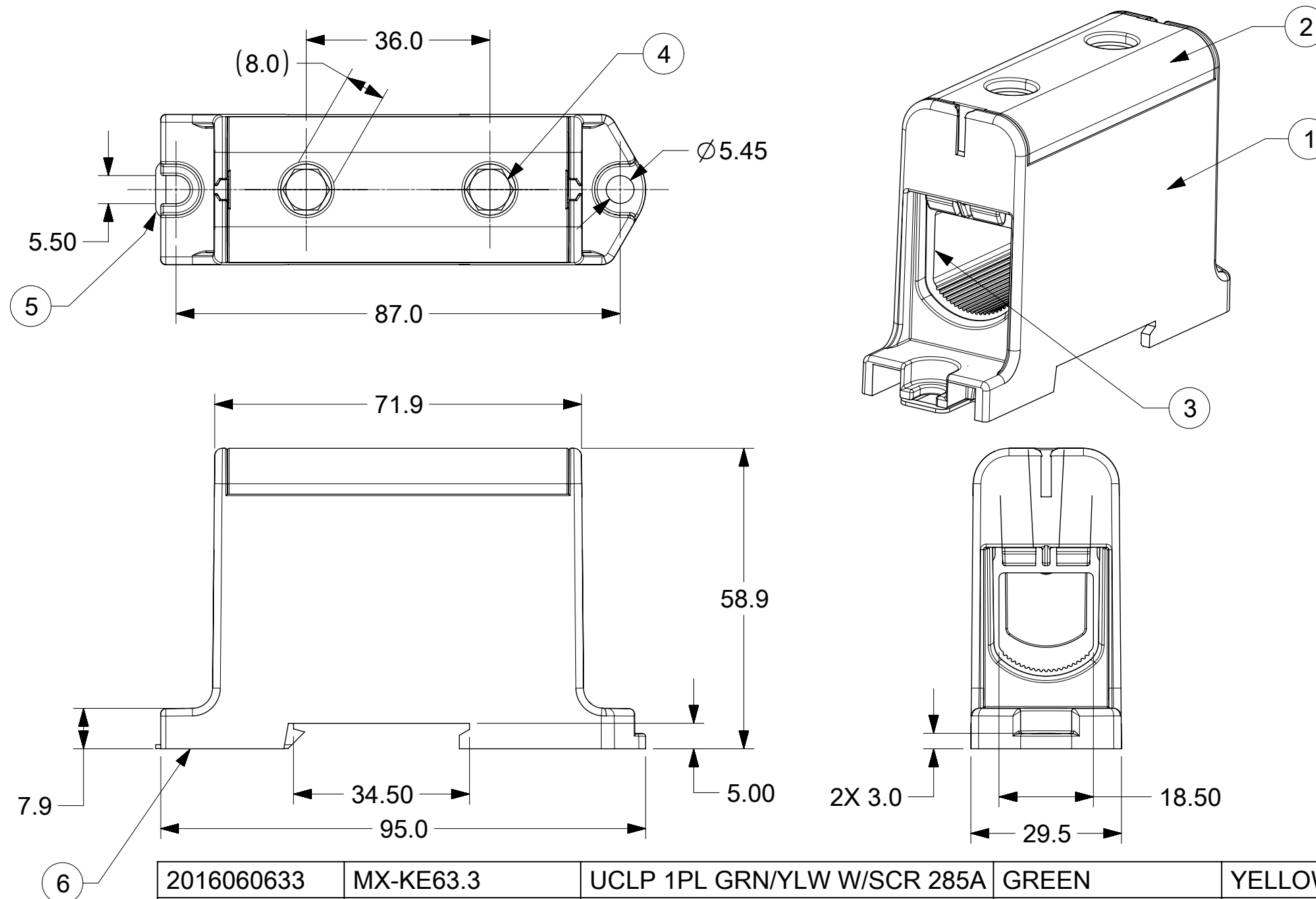
Email & Skype: info@chipsmall.com Web: www.chipsmall.com

Address: A1208, Overseas Decoration Building, #122 Zhenhua RD., Futian, Shenzhen, China



NOTES:

1. MOUNTING TYPE: 35mm DIN RAIL OR SCREW.
2. VOLTAGE: 600 V (UL).
3. CURRENT: Cu 285 A, Al 230 A (UL).
4. WIRE CROSS-SECTION RANGE, UL:
Cu/Al 2AWG-300mm² (33.6-300mm²) STRANDED.
Cu (2-3) X 2 AWG (2-3 X 33.6mm²) STRANDED.
Cu 2X 1/0 AWG (2X 53mm²) STRANDED.
5. HEAD CAP SCREW WITH 8mm HEXAGON SOCKET SIZE.
USE A TOOL WITH LENGTH ALLOWING FOR A FULL SCREW ENGAGEMENT.
6. RECOMMENDED TIGHTENING TORQUE:
216 Lb-In (24Nm).
7. ALL ELECTRICAL AND MECHANICAL SPECIFICATIONS ARE PER UL1059 AS NOTED IN MOLEX UL AGENCY APPROVAL.
8. THE SUITABILITY OF THESE TERMINALS SHALL BE DETERMINED IN THE END-USE INVESTIGATION.
- 9 AS ENVIRONMENTAL BARRIER DIELECTRIC GREASE MAY BE PRESENT IN THE WIRING CHAMBER. ENSURE TO USE THE RECOMMENDED TIGHTING TORQUE FOR ALL CONDUCTORS.



| | | | | |
|--------------|-----------------|-----------------------------|---------------|-------------|
| 2016060633 | MX-KE63.3 | UCLP 1PL GRN/YLW W/SCR 285A | GREEN | YELLOW |
| 2016060632 | MX-KE63.2 | UCLP 1PL GRY/BLU W/SCR 285A | GREY | BLUE |
| 2016060630 | MX-KE63 | UCLP 1PL GRY/GRY W/SCR 285A | GREY | GREY |
| MATERIAL No. | ENGINEERING No. | DESCRIPTION | HOUSING COLOR | COVER COLOR |

| | | | |
|------|-----|---------------|-----------|
| 6 | 1 | SPRING, LATCH | STEEL |
| 5 | 1 | LATCH, DIN | STEEL |
| 4 | 2 | SCREW, SET | ALUMINUM |
| 3 | 1 | CAGE | ALUMINUM |
| 2 | 1 | COVER | POLYAMIDE |
| 1 | 1 | HOUSING | POLYAMIDE |
| ITEM | QTY | DESCRIPTION | MATERIAL |

THIS DRAWING CONTAINS INFORMATION THAT IS PROPRIETARY TO MOLEX ELECTRONIC TECHNOLOGIES, LLC AND SHOULD NOT BE USED WITHOUT WRITTEN PERMISSION

| | | | | | |
|--|--|--|--------------------------|--|--|
| EC NO: 120665 DRWN: WLEUNG CHKD: DNGUYEN62 APPR: JFMURPHY | 2017/08/14 2017/08/15 2017/08/18 | GENERAL TOLERANCES (UNLESS SPECIFIED) DIMENSION UNITS: mm SCALE: 1:1 | | | |
| | ANGULAR TOL ± ° 4 PLACES ± 3 PLACES ± 2 PLACES ± SEE CHART 1 PLACE ± SEE CHART 0 PLACES ± | DRWN BY: WLEUNG DATE: 2017/08/14 CHK'D BY: DNGUYEN62 DATE: 2017/08/15 | | | |
| | DRAFT WHERE APPLICABLE MUST REMAIN WITHIN DIMENSIONS | APPR BY: JFMURPHY DATE: 2017/08/18 | PRODUCT CUSTOMER DRAWING | | |
| | DRAWING SIZE: B THIRD ANGLE PROJECTION | SERIES: 201606 MATERIAL NUMBER: [blank] CUSTOMER: [blank] | | | |

| | | | | | |
|------------|--------|------|-------|---------|----------|
| TOLERANCE | >0.5=3 | >3=6 | >6=30 | >30=120 | >120=400 |
| ISO 2768-m | ±0.1 | ±0.1 | ±0.2 | ±0.3 | ±0.5 |