



Chipsmall Limited consists of a professional team with an average of over 10 year of expertise in the distribution of electronic components. Based in Hongkong, we have already established firm and mutual-benefit business relationships with customers from,Europe,America and south Asia,supplying obsolete and hard-to-find components to meet their specific needs.

With the principle of “Quality Parts,Customers Priority,Honest Operation,and Considerate Service”,our business mainly focus on the distribution of electronic components. Line cards we deal with include Microchip,ALPS,ROHM,Xilinx,Pulse,ON,Everlight and Freescale. Main products comprise IC,Modules,Potentiometer,IC Socket,Relay,Connector.Our parts cover such applications as commercial,industrial, and automotives areas.

We are looking forward to setting up business relationship with you and hope to provide you with the best service and solution. Let us make a better world for our industry!



## Contact us

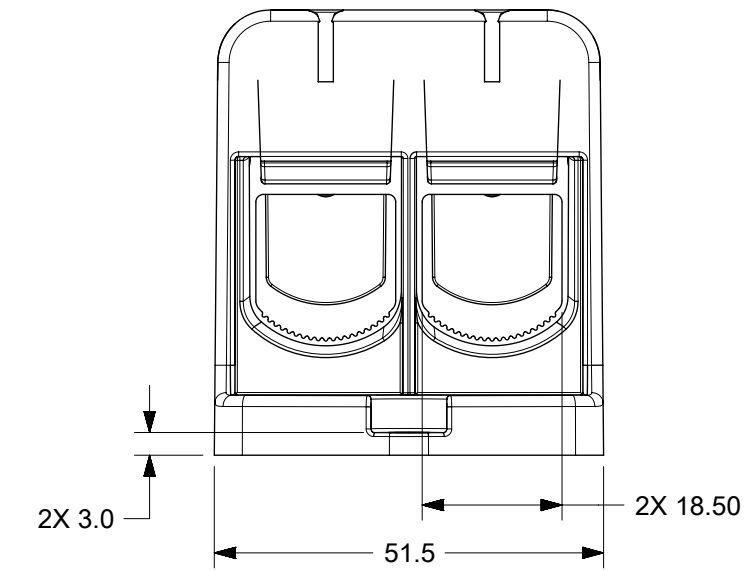
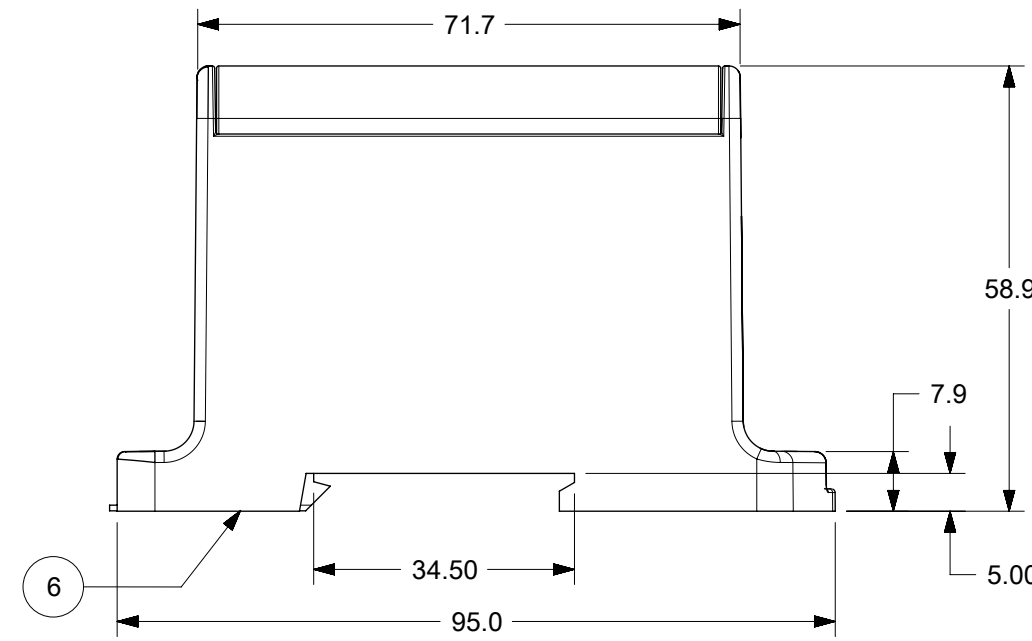
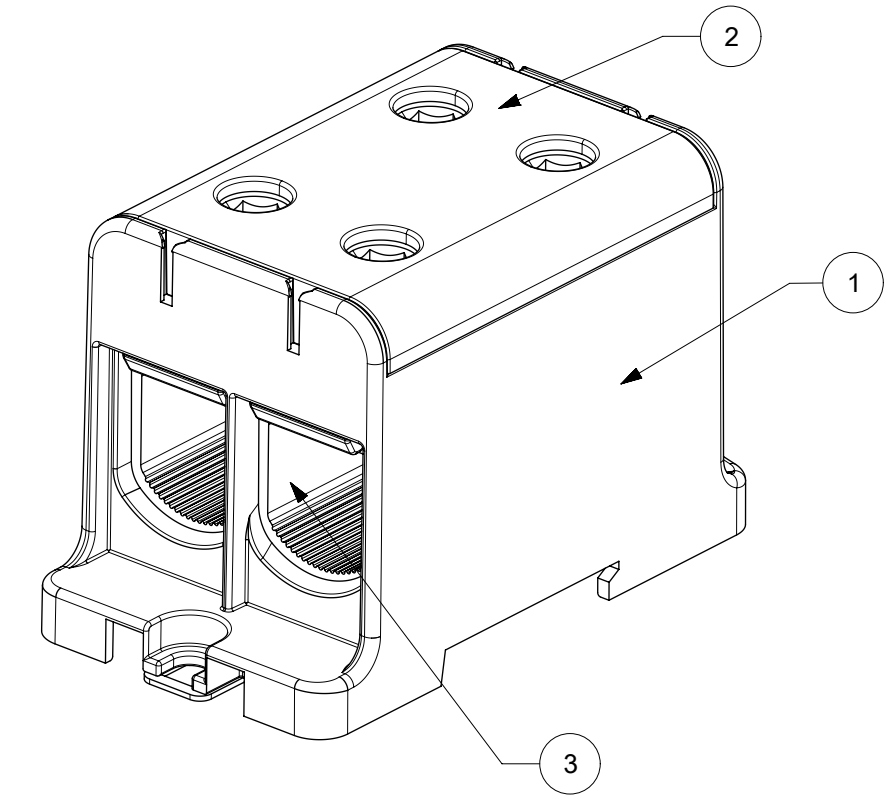
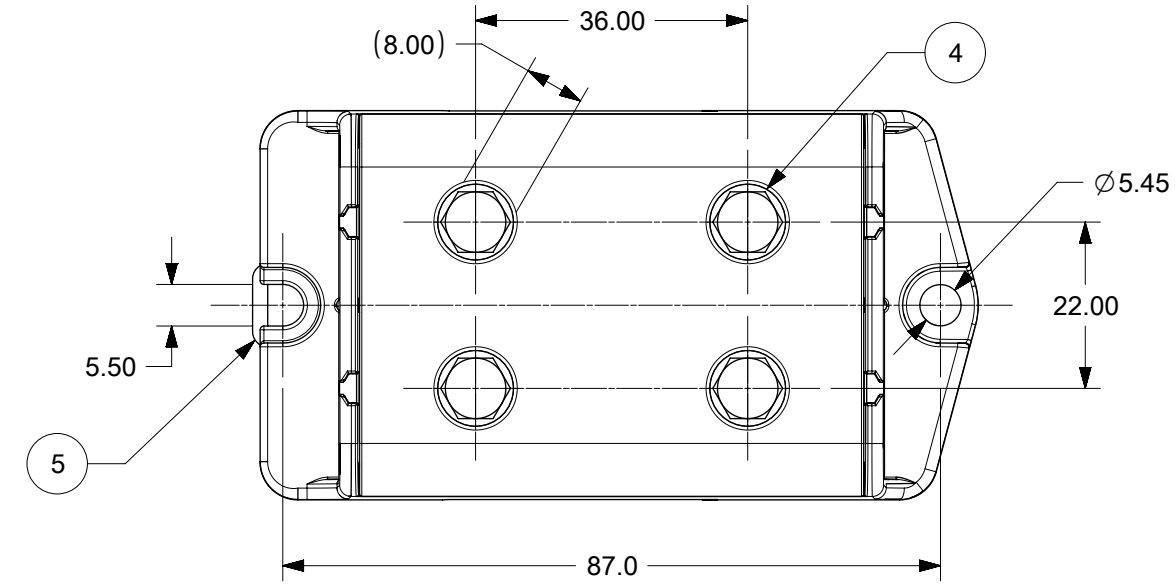
Tel: +86-755-8981 8866 Fax: +86-755-8427 6832

Email & Skype: info@chipsmall.com Web: www.chipsmall.com

Address: A1208, Overseas Decoration Building, #122 Zhenhua RD., Futian, Shenzhen, China



- NOTES:
1. MOUNTING TYPE: 35mm DIN RAIL OR SCREW.
  2. VOLTAGE: 600 V (UL).
  3. CURRENT: Cu 285 A, Al 230 A (UL).
  4. WIRE CROSS-SECTION RANGE, UL:  
Cu/Al 2AWG-300mm<sup>2</sup> (33.6-300mm<sup>2</sup>) STRANDED.  
Cu (2-3) X 2 AWG (2-3 X 33.6mm<sup>2</sup>) STRANDED.  
Cu 2X 1/0 AWG (2X 53mm<sup>2</sup>) STRANDED.
  5. HEAD CAP SCREW WITH 8mm HEXAGON SOCKET SIZE.  
USE A TOOL WITH LENGTH ALLOWING FOR A FULL SCREW ENGAGEMENT.
  6. RECOMMENDED TIGHTENING TORQUE:  
216 Lb-In (24 Nm).
  7. ALL ELECTRICAL AND MECHANICAL SPECIFICATIONS ARE PER UL1059 AS NOTED IN MOLEX UL AGENCY APPROVAL.
  8. THE SUITABILITY OF THESE TERMINALS SHALL BE DETERMINED IN THE END-USE INVESTIGATION.
  9. AS ENVIRONMENTAL BARRIER DIELECTRIC GREASE MAY BE PRESENT IN THE WIRING CHAMBER. ENSURE TO USE THE RECOMMENDED TIGHTING TORQUE FOR ALL CONDUCTORS.



ITEM	QTY	DESCRIPTION	MATERIAL
6	1	SPRING, LATCH	STEEL
5	1	LATCH, DIN	STEEL
4	4	SCREW, SET	ALUMINUM
3	1	CAGE, 1PL	ALUMINUM
2	1	COVER	POLYAMIDE
1	1	HOUSING	POLYAMIDE

2016060683	MX-KE68.3	UCLP 1PL GRN/YLW W/SCR 285A	GREEN	YELLOW
2016060682	MX-KE68.2	UCLP 1PL GRY/BLU W/SCR 285A	GREY	BLUE
2016060680	MX-KE68	UCLP 1PL GRY/GRY W/SCR 285A	GREY	GREY
MATERIAL No.	ENGINEERING No.	DESCRIPTION	HOUSING COLOR	COVER COLOR

THIS DRAWING CONTAINS INFORMATION THAT IS PROPRIETARY TO MOLEX ELECTRONIC TECHNOLOGIES, LLC AND SHOULD NOT BE USED WITHOUT WRITTEN PERMISSION

EC NO: 120665 DRWN: WLEUNG CHKD: DNGUYEN62 REV / APPR: JFMURPHY	2017/08/14	2017/08/15	2017/08/18	GENERAL TOLERANCES (UNLESS SPECIFIED) mm SCALE 1:1 DRWN BY WLEUNG DATE 2017/08/14 CHKD BY DNGUYEN62 DATE 2017/08/15 APPR BY JFMURPHY DATE 2017/08/18 DRAWING SIZE C THIRD ANGLE PROJECTION	
	ANGULAR TOL ± °				
	4 PLACES ±				
	3 PLACES ±				
PRODUCT CUSTOMER DRAWING					
SERIES 201606		MATERIAL NUMBER SEE CHART		CUSTOMER	
DOCUMENT NUMBER 2016060680			DOC TYPE PSD	DOC PART 000	
			SHEET NUMBER 1 OF 1		