



Chipsmall Limited consists of a professional team with an average of over 10 year of expertise in the distribution of electronic components. Based in Hongkong, we have already established firm and mutual-benefit business relationships with customers from,Europe,America and south Asia,supplying obsolete and hard-to-find components to meet their specific needs.

With the principle of "Quality Parts,Customers Priority,Honest Operation,and Considerate Service",our business mainly focus on the distribution of electronic components. Line cards we deal with include Microchip,ALPS,ROHM,Xilinx,Pulse,ON,Everlight and Freescale. Main products comprise IC,Modules,Potentiometer,IC Socket,Relay,Connector.Our parts cover such applications as commercial,industrial, and automotives areas.

We are looking forward to setting up business relationship with you and hope to provide you with the best service and solution. Let us make a better world for our industry!



## Contact us

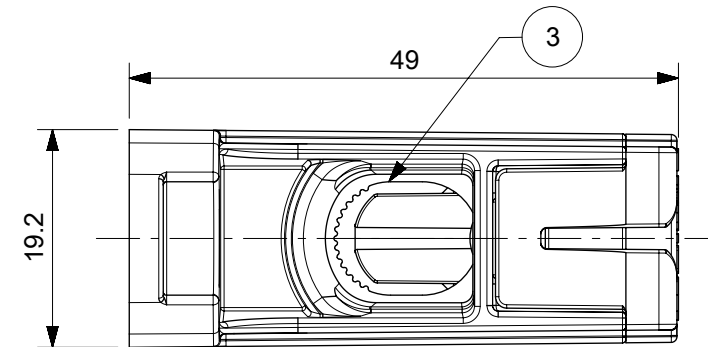
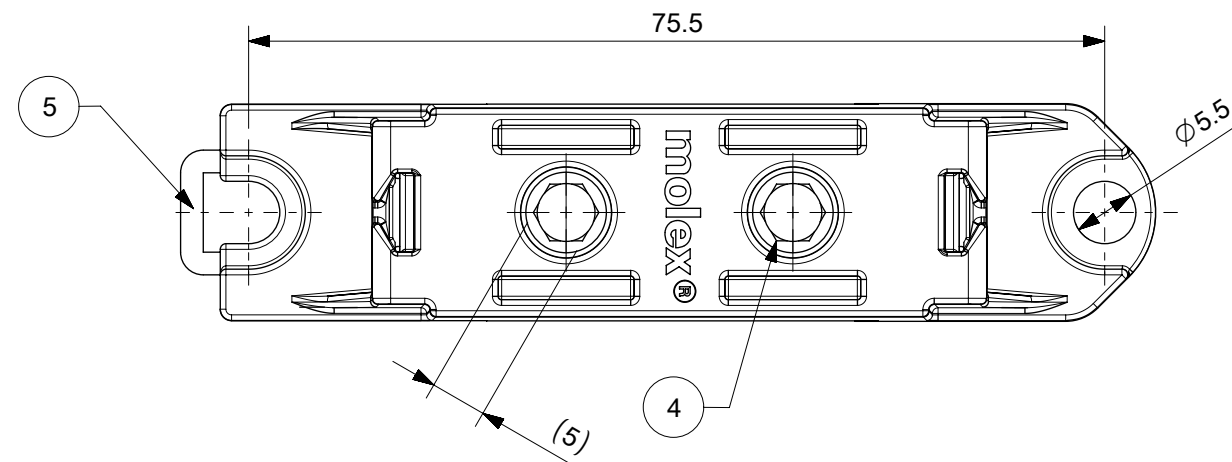
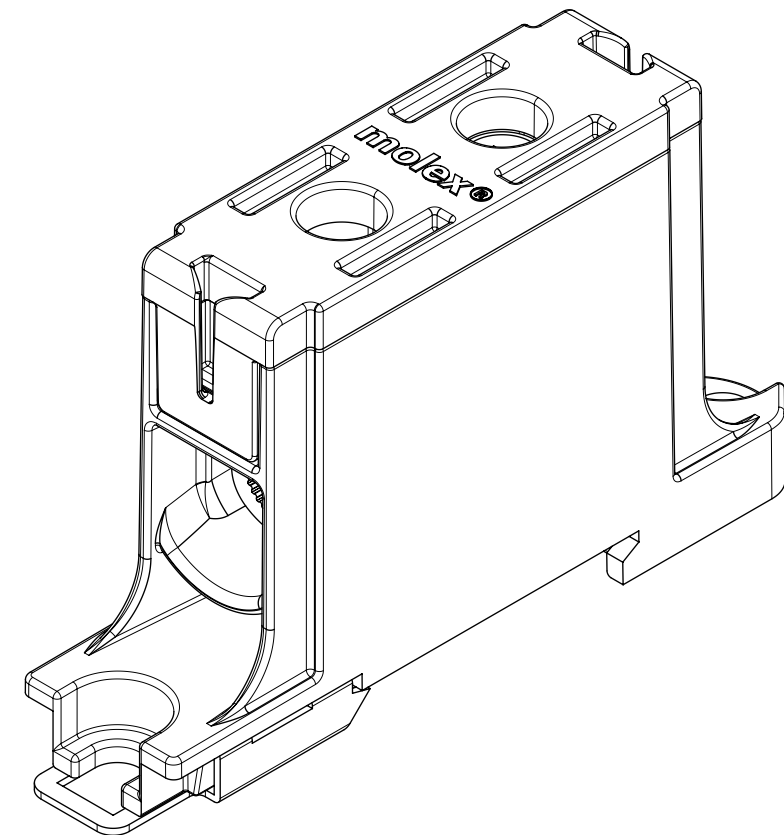
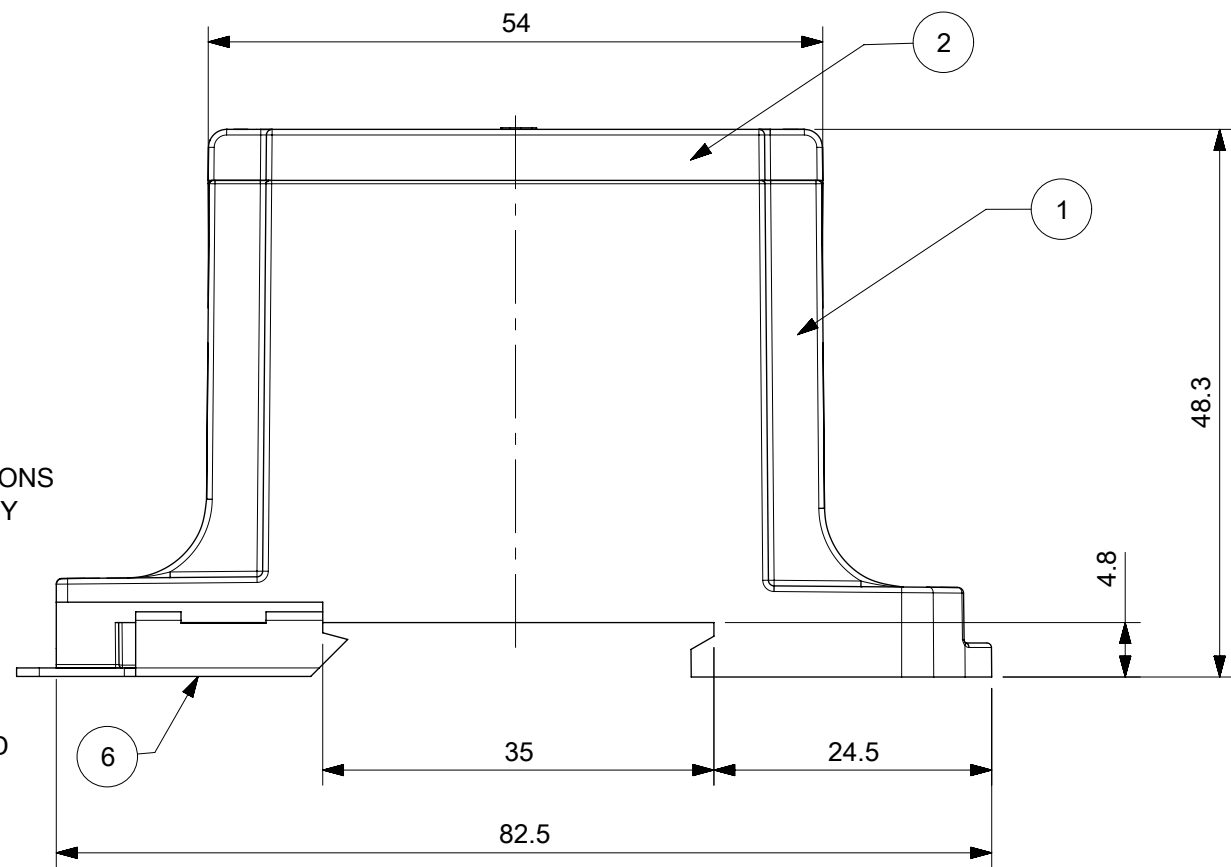
Tel: +86-755-8981 8866 Fax: +86-755-8427 6832

Email & Skype: info@chipsmall.com Web: www.chipsmall.com

Address: A1208, Overseas Decoration Building, #122 Zhenhua RD., Futian, Shenzhen, China



- NOTES:
1. MOUNTING TYPE: 35 mm DIN RAIL OR SCREW.
  2. VOLTAGE: 1000 V (UL).
  3. CURRENT: Cu 150A, Al 120A (UL).
  4. WIRE CROSS-SECTION RANGE, UL:  
 Cu 1/0-6 AWG (13.3-53 mm<sup>2</sup>) STRANDED  
 Al 1/0-6 AWG (13.3-53 mm<sup>2</sup>) STRANDED  
 Cu 2 X 6 AWG (2 X 13.3 mm<sup>2</sup>) STRANDED  
 Cu 3 X 8 AWG (3 X 8.3 mm<sup>2</sup>) STRANDED
  5. HEAD CAP SCREW WITH 5 mm HEXAGON SOCKET SIZE.  
 USE A TOOL WITH LENGTH ALLOWING FOR A FULL SCREW ENGAGEMENT.
  6. RECOMMENDED TIGHTENING TORQUE:  
 90 Lb-In (10 Nm).
  7. ALL ELECTRICAL AND MECHANICAL SPECIFICATIONS ARE PER UL1059 AS NOTED IN MOLEX UL AGENCY APPROVAL.
  8. THE SUITABILITY OF THESE TERMINALS SHALL BE DETERMINED IN THE END-USE INVESTIGATION.
  - 9 AS ENVIRONMENTAL BARRIER DIELECTRIC GREASE MAY BE PRESENT IN THE WIRING CHAMBER. ENSURE TO USE THE RECOMMENDED TIGHTNING TORQUE FOR ALL CONDUCTORS.



2016061617	MX-KE161.6	UCLP 1PL GRY/BLK 150A/1000V	GREY	BLACK
2016061615	MX-KE161.4	UCLP 1PL GRY/RED 150A/1000V	GREY	RED
2016061613	MX-KE161.2	UCLP 1PL GRY/BLU 150A/1000V	GREY	BLUE
2016061610	MX-KE161	UCLP 1PL GRY/GRY 150A/1000V	GREY	GREY
MATERIAL No	ENGINEERING No	DESCRIPTION	HOUSING COLOR	COVER COLOR

THIS DRAWING CONTAINS INFORMATION THAT IS PROPRIETARY TO MOLEX ELECTRONIC TECHNOLOGIES, LLC AND SHOULD NOT BE USED WITHOUT WRITTEN PERMISSION

ITEM	QTY	DESCRIPTION	MATERIAL
6	1	SPRING, LATCH	STEEL
5	1	LATCH, DIN	STEEL
4	2	SCREW, SET	ALUMINUM
3	1	CAGE	ALUMINUM
2	1	COVER	POLYAMIDE
1	1	HOUSING	POLYAMIDE

EC NO: 120665 DRWN: WLEUNG CHKD: DNGUYEN62 APPR: JFMURPHY	2017/08/14 2017/08/15 2017/08/18	GENERAL TOLERANCES (UNLESS SPECIFIED) ANGULAR TOL ± °	DIMENSION UNITS: mm SCALE: 1:1
	4 PLACES ± 3 PLACES ± 2 PLACES ± 1 PLACE ± 0 PLACES ±	SEE CHART SEE CHART SEE CHART	DRWN BY: WLEUNG DATE: 2017/08/14
	DRAFT WHERE APPLICABLE MUST REMAIN WITHIN DIMENSIONS	DRAWING SIZE: B FIRST ANGLE PROJECTION	CHK'D BY: DNGUYEN62 DATE: 2017/08/15
	RELEASE	APPR BY: JFMURPHY DATE: 2017/08/18	APPR BY: JFMURPHY DATE: 2017/08/18

<b>molex®</b>			
MX-KE161 UCLP 1PL GRY/GRY 150A/1000V			
PRODUCT CUSTOMER DRAWING			
SERIES	MATERIAL NUMBER	CUSTOMER	
201606	SEE CHART	GENERAL MARKET	
DOCUMENT NUMBER		DOC TYPE	DOC PART
2016061610		PSD	000
		SHEET NUMBER	
		1 OF 1	

TOLERANCE	>0.5=3	>3=6	>6=30	>30=120	>120=400
ISO 2768-m	±0.1	±0.1	±0.2	±0.3	±0.5