



Chipsmall Limited consists of a professional team with an average of over 10 year of expertise in the distribution of electronic components. Based in Hongkong, we have already established firm and mutual-benefit business relationships with customers from,Europe,America and south Asia,supplying obsolete and hard-to-find components to meet their specific needs.

With the principle of “Quality Parts,Customers Priority,Honest Operation,and Considerate Service”,our business mainly focus on the distribution of electronic components. Line cards we deal with include Microchip,ALPS,ROHM,Xilinx,Pulse,ON,Everlight and Freescale. Main products comprise IC,Modules,Potentiometer,IC Socket,Relay,Connector.Our parts cover such applications as commercial,industrial, and automotives areas.

We are looking forward to setting up business relationship with you and hope to provide you with the best service and solution. Let us make a better world for our industry!



Contact us

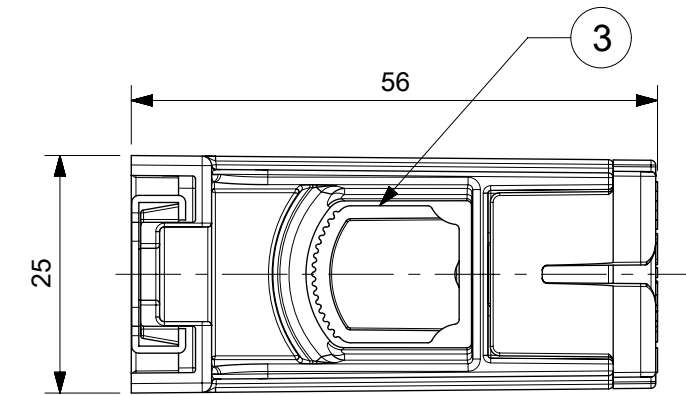
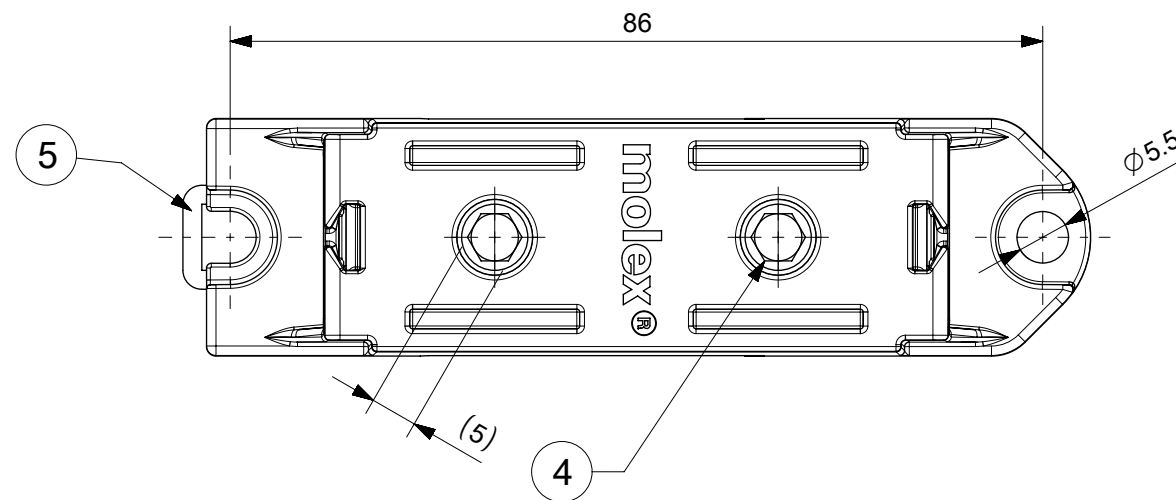
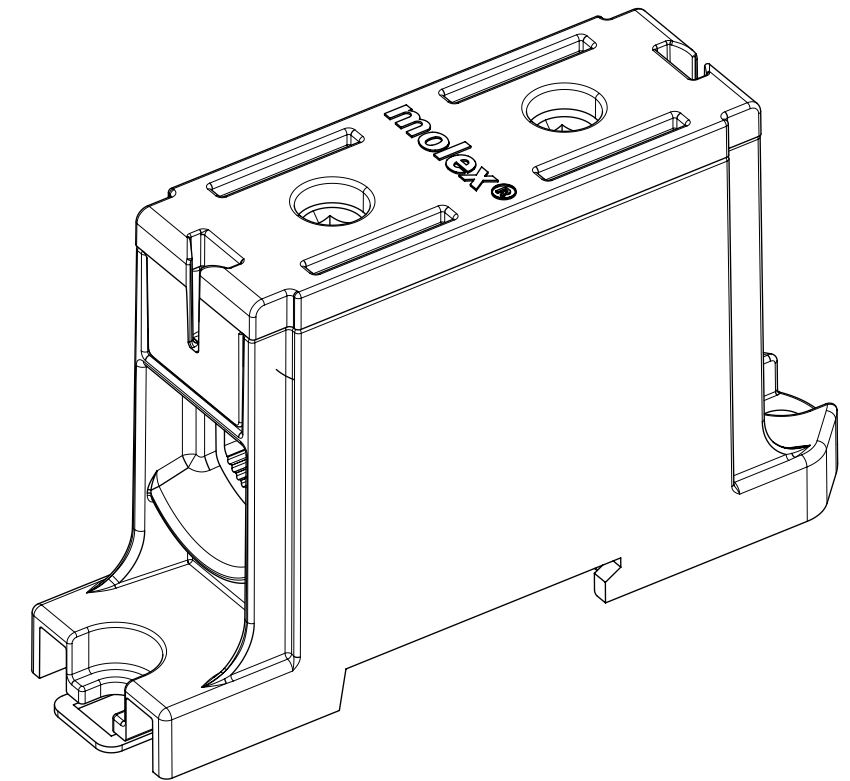
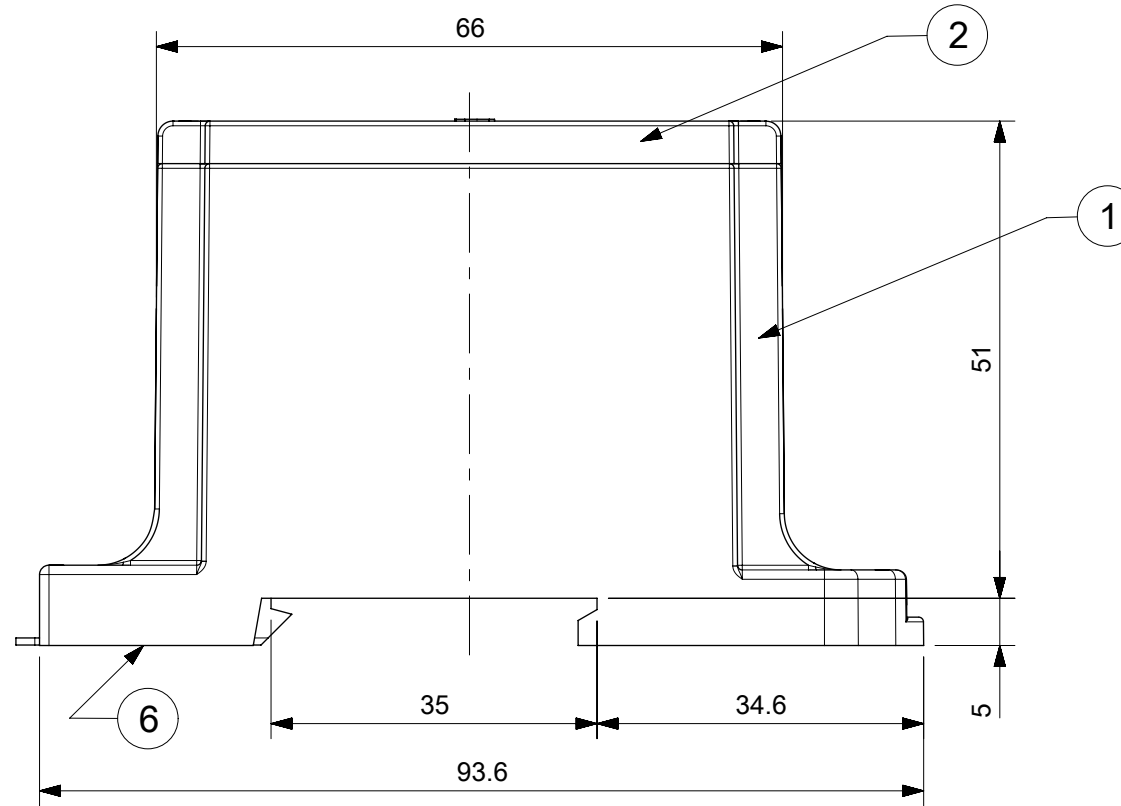
Tel: +86-755-8981 8866 Fax: +86-755-8427 6832

Email & Skype: info@chipsmall.com Web: www.chipsmall.com

Address: A1208, Overseas Decoration Building, #122 Zhenhua RD., Futian, Shenzhen, China



- NOTES:
1. MOUNTING TYPE: 35mm DIN RAIL OR SCREW.
 2. VOLTAGE: 1000 V (UL).
 3. CURRENT: Cu 230A, Al 180A.
 4. WIRE CROSS-SECTION RANGE, UL:
 - Cu 4-4/0 AWG (21-107mm²) STRANDED
 - Al 4-4/0 AWG (21-107mm²) STRANDED
 - Cu 3 X 6 AWG (3 X 13.3mm²) STRANDED
 - Cu 2 X 2-6 AWG (2 X 33.6-13.3mm²) STRANDED
 5. HEAD CAP SCREW WITH 5mm HEXAGON SOCKET SIZE.
USE A TOOL WITH LENGTH ALLOWING FOR A FULL SCREW ENGAGEMENT.
 6. RECOMMENDED TIGHTENING TORQUE:
126 Lb-In (14Nm).
 7. ALL ELECTRICAL AND MECHANICAL SPECIFICATIONS ARE PER UL1059 AS NOTED IN MOLEX UL AGENCY APPROVAL.
 8. THE SUITABILITY OF THESE TERMINALS SHALL BE DETERMINED IN THE END-USE INVESTIGATION.
 - 9 AS ENVIRONMENTAL BARRIER DIELECTRIC GREASE MAY BE PRESENT IN THE WIRING CHAMBER. ENSURE TO USE THE RECOMMENDED TIGHTING TORQUE FOR ALL CONDUCTORS.



2016061627	MX-KE162.6	UCLP 1PL GRY/BLK 230A/1000V	GREY	BLACK
2016061625	MX-KE162.4	UCLP 1PL GRY/RED 230A/1000V	GREY	RED
2016061623	MX-KE162.2	UCLP 1PL GRY/BLU 230A/1000V	GREY	BLUE
2016061620	MX-KE162	UCLP 1PL GRY/GRY 230A/1000V	GREY	GREY
MATERIAL No	ENGINEERING No	DESCRIPTION	HOUSING COLOR	COVER COLOR

THIS DRAWING CONTAINS INFORMATION THAT IS PROPRIETARY TO MOLEX ELECTRONIC TECHNOLOGIES, LLC AND SHOULD NOT BE USED WITHOUT WRITTEN PERMISSION

ITEM	QTY	DESCRIPTION	MATERIAL
6	1	SPRING, LATCH	STEEL
5	1	LATCH, DIN	STEEL
4	2	SCREW, SET	ALUMINUM
3	1	CAGE	ALUMINUM
2	1	COVER	POLYAMIDE
1	1	HOUSING	POLYAMIDE

TOLERANCE	>0.5=3	>3=6	>6=30	>30=120	>120=400
ISO 2768-m	±0.1	±0.1	±0.2	±0.3	±0.5

EC NO: 120665 DRWN: WLEUNG CHKD: DNGUYEN62 APPR: JFMURPHY	2017/08/14 2017/08/15 2017/08/18	GENERAL TOLERANCES (UNLESS SPECIFIED) ANGULAR TOL ± °	DIMENSION UNITS: mm SCALE: 1.5:1	
	4 PLACES ± 3 PLACES ± 2 PLACES ± 1 PLACE ± 0 PLACES ±	SEE CHART SEE CHART SEE CHART	DRAFT WHERE APPLICABLE MUST REMAIN WITHIN DIMENSIONS	DRAWING SIZE: B FIRST ANGLE PROJECTION
	DRWN BY: WLEUNG DATE: 2017/08/14	CHK'D BY: DNGUYEN62 DATE: 2017/08/15	APPR BY: JFMURPHY DATE: 2017/08/18	DIMENSION UNITS: mm SCALE: 1.5:1
	RELEASE	EC NO: 120665 DRWN: WLEUNG CHKD: DNGUYEN62 APPR: JFMURPHY	GENERAL TOLERANCES (UNLESS SPECIFIED) ANGULAR TOL ± °	DIMENSION UNITS: mm SCALE: 1.5:1

molex®			
MX-KE162 UCLP 1PL GRY/GRY 230A/1000V			
PRODUCT CUSTOMER DRAWING			
SERIES	MATERIAL NUMBER	CUSTOMER	
201606	SEE CHART		
DOCUMENT NUMBER	DOC TYPE	DOC PART	SHEET NUMBER
2016061620	PSD	000	1 OF 1