



Chipsmall Limited consists of a professional team with an average of over 10 year of expertise in the distribution of electronic components. Based in Hongkong, we have already established firm and mutual-benefit business relationships with customers from,Europe,America and south Asia,supplying obsolete and hard-to-find components to meet their specific needs.

With the principle of “Quality Parts,Customers Priority,Honest Operation,and Considerate Service”,our business mainly focus on the distribution of electronic components. Line cards we deal with include Microchip,ALPS,ROHM,Xilinx,Pulse,ON,Everlight and Freescale. Main products comprise IC,Modules,Potentiometer,IC Socket,Relay,Connector.Our parts cover such applications as commercial,industrial, and automotives areas.

We are looking forward to setting up business relationship with you and hope to provide you with the best service and solution. Let us make a better world for our industry!



## Contact us

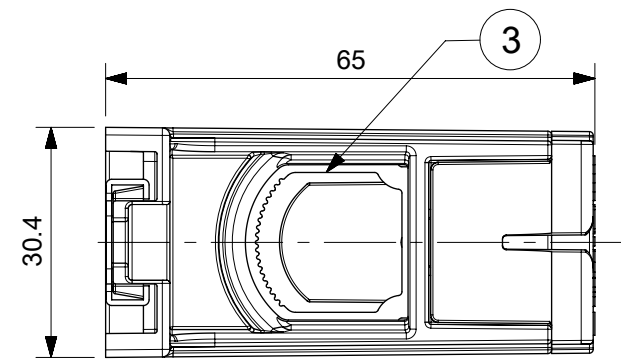
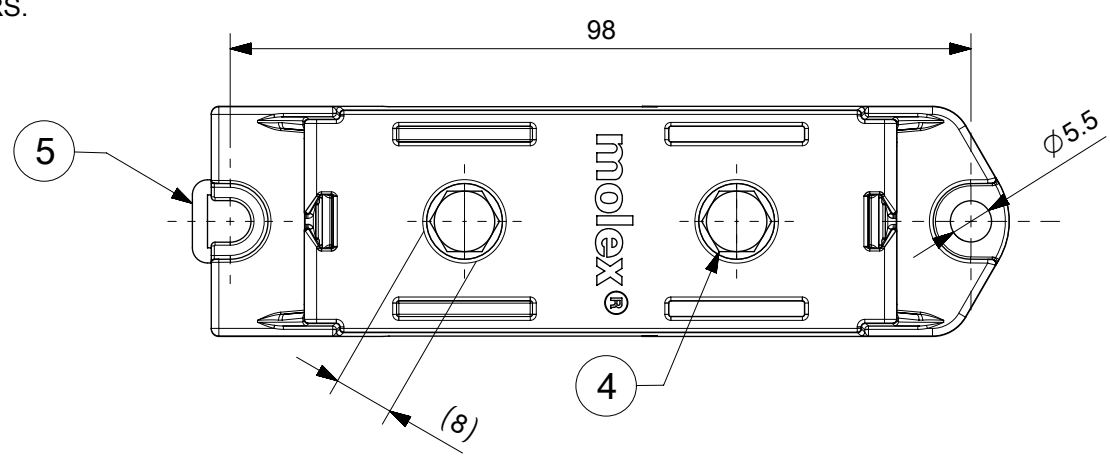
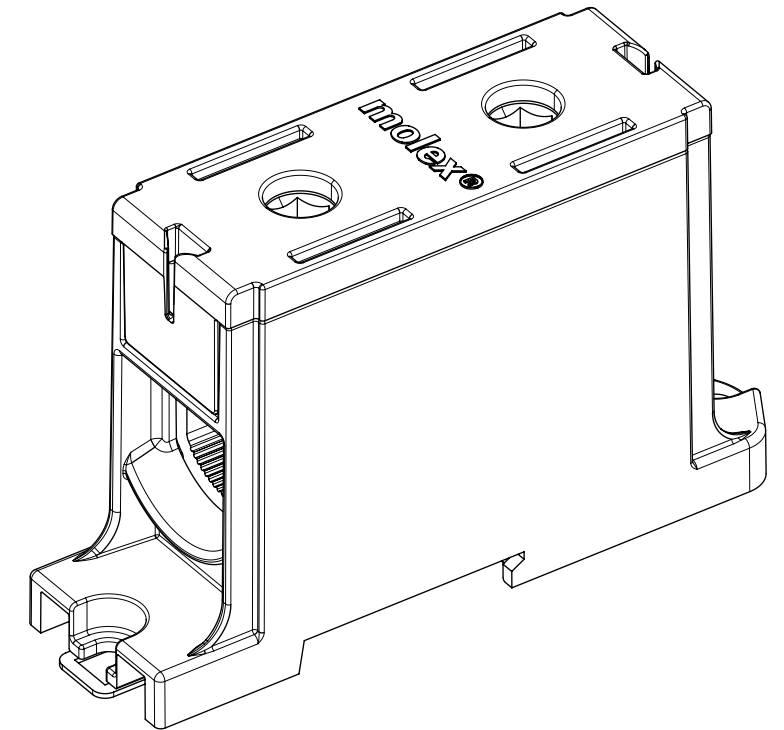
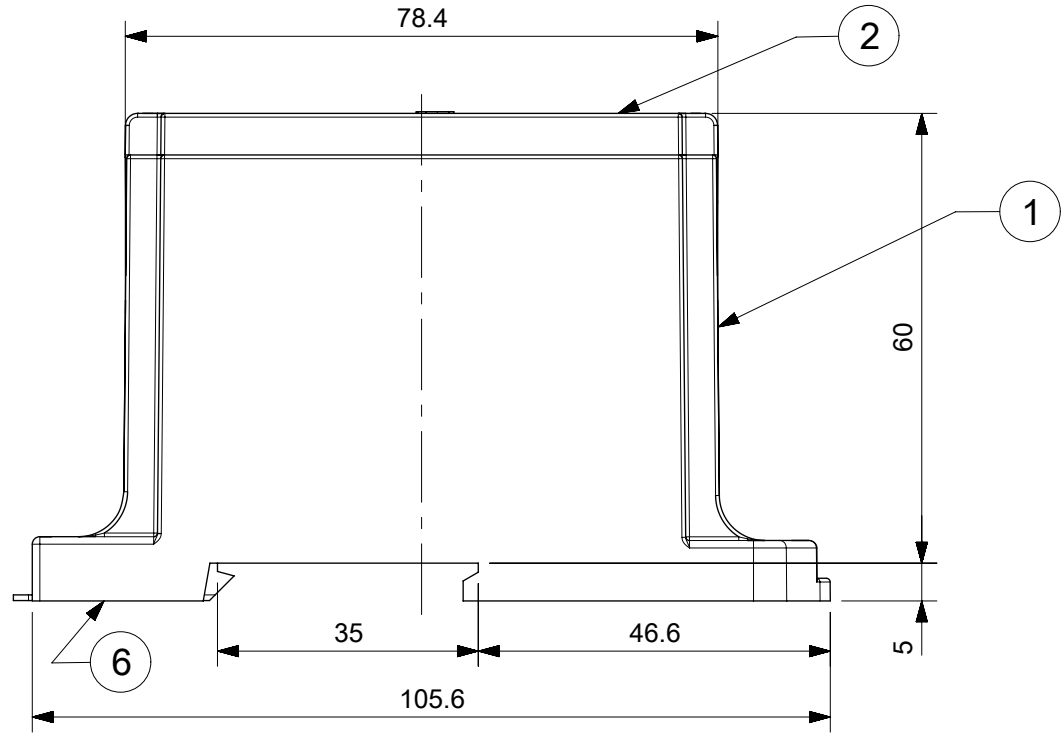
Tel: +86-755-8981 8866 Fax: +86-755-8427 6832

Email & Skype: info@chipsmall.com Web: www.chipsmall.com

Address: A1208, Overseas Decoration Building, #122 Zhenhua RD., Futian, Shenzhen, China



- NOTES:
1. MOUNTING TYPE: 35mm DIN RAIL OR SCREW.
  2. VOLTAGE: 1000 V (UL).
  3. CURRENT: Cu 285A (UL).
  4. WIRE CROSS-SECTION RANGE, UL:
    - Cu 300mm<sup>2</sup>-2 AWG (33.6-300mm<sup>2</sup>) STRANDED
    - Al 300mm<sup>2</sup>-2 AWG (33.6-300mm<sup>2</sup>) STRANDED
    - Cu (2-3)X 2 AWG (2-3X 33.6mm<sup>2</sup>) STRANDED
    - Cu 2X 1/0 AWG (2X53.5mm<sup>2</sup>) STRANDED
  5. HEAD CAP SCREW WITH 8mm HEXAGON SOCKET SIZE.  
USE A TOOL WITH LENGTH ALLOWING FOR A FULL SCREW ENGAGEMENT.
  6. RECOMMENDED TIGHTENING TORQUE:  
216 Lb-In (24Nm).
  7. ALL ELECTRICAL AND MECHANICAL SPECIFICATIONS ARE PER UL1059 AS NOTED IN MOLEX UL AGENCY APPROVAL.
  8. THE SUITABILITY OF THESE TERMINALS SHALL BE DETERMINED IN THE END-USE INVESTIGATION.
  - 9 AS ENVIRONMENTAL BARRIER DIELECTRIC GREASE MAY BE PRESENT IN THE WIRING CHAMBER. ENSURE TO USE THE RECOMMENDED TIGHTING TORQUE FOR ALL CONDUCTORS.



2016061637	MX-KE163.6	UCLP 1PL GRY/BLK 285A/1000V	GREY	BLACK
2016061635	MX-KE163.4	UCLP 1PL GRY/RED 285A/1000V	GREY	RED
2016061633	MX-KE163.2	UCLP 1PL GRY/BLU 285A/1000V	GREY	BLUE
2016061630	MX-KE163	UCLP 1PL GRY/GRY 285A/1000V	GREY	GREY
MATERIAL No	ENGINEERING No	DESCRIPTION	HOUSING COLOR	COVER COLOR

THIS DRAWING CONTAINS INFORMATION THAT IS PROPRIETARY TO MOLEX ELECTRONIC TECHNOLOGIES, LLC AND SHOULD NOT BE USED WITHOUT WRITTEN PERMISSION

ITEM	QTY	DESCRIPTION	MATERIAL
6	1	SPRING, LATCH	STEEL
5	1	LATCH, DIN	STEEL
4	2	SCREW, SET	ALUMINUM
3	1	CAGE	ALUMINUM
2	1	COVER	POLYAMIDE
1	1	HOUSING	POLYAMIDE

TOLERANCE	>0.5=3	>3=6	>6=30	>30=120	>120=400
ISO 2768-m	±0.1	±0.1	±0.2	±0.3	±0.5

EC NO: 120966 DRWN: WLEUNG CHKD: DNGUYEN62 APPR: JFMURPHY	2017/08/22 2017/08/22 2017/08/23	GENERAL TOLERANCES (UNLESS SPECIFIED) ANGULAR TOL ± °	DIMENSION UNITS: mm SCALE: 1:1	
	4 PLACES ± 3 PLACES ± 2 PLACES ± 1 PLACE ± 0 PLACES ±	SEE CHART SEE CHART SEE CHART SEE CHART	DRAFT WHERE APPLICABLE MUST REMAIN WITHIN DIMENSIONS	DRWN BY: WLEUNG DATE: 2017/08/22 CHK'D BY: DNGUYEN62 DATE: 2017/08/22 APPR BY: JFMURPHY DATE: 2017/08/23
	DRAWING SIZE: B FIRST ANGLE PROJECTION			SERIES: 201606 MATERIAL NUMBER: 2016061630
	DOCUMENT NUMBER: 2016061630 DOC TYPE: PSD DOC PART: 000 SHEET NUMBER: 1 OF 1	PRODUCT CUSTOMER DRAWING		

MX-KE163  
UCLP 1PL GRY/GRY 285A/1000V

PRODUCT CUSTOMER DRAWING

SERIES: 201606  
MATERIAL NUMBER: 2016061630  
CUSTOMER:

DOCUMENT NUMBER: 2016061630  
DOC TYPE: PSD  
DOC PART: 000  
SHEET NUMBER: 1 OF 1