



Chipsmall Limited consists of a professional team with an average of over 10 year of expertise in the distribution of electronic components. Based in Hongkong, we have already established firm and mutual-benefit business relationships with customers from,Europe,America and south Asia,supplying obsolete and hard-to-find components to meet their specific needs.

With the principle of "Quality Parts,Customers Priority,Honest Operation,and Considerate Service",our business mainly focus on the distribution of electronic components. Line cards we deal with include Microchip,ALPS,ROHM,Xilinx,Pulse,ON,Everlight and Freescale. Main products comprise IC,Modules,Potentiometer,IC Socket,Relay,Connector.Our parts cover such applications as commercial,industrial, and automotives areas.

We are looking forward to setting up business relationship with you and hope to provide you with the best service and solution. Let us make a better world for our industry!



Contact us

Tel: +86-755-8981 8866 Fax: +86-755-8427 6832

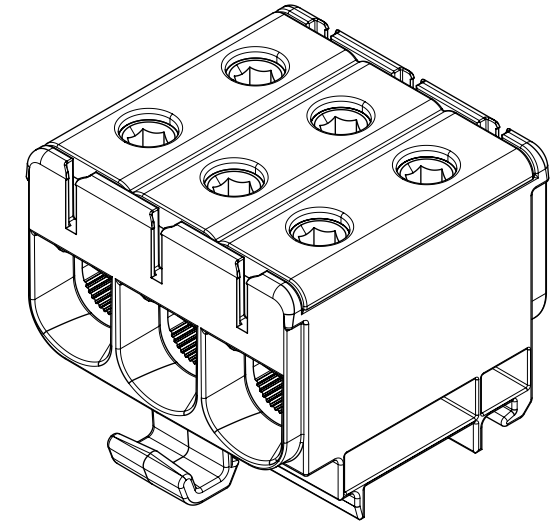
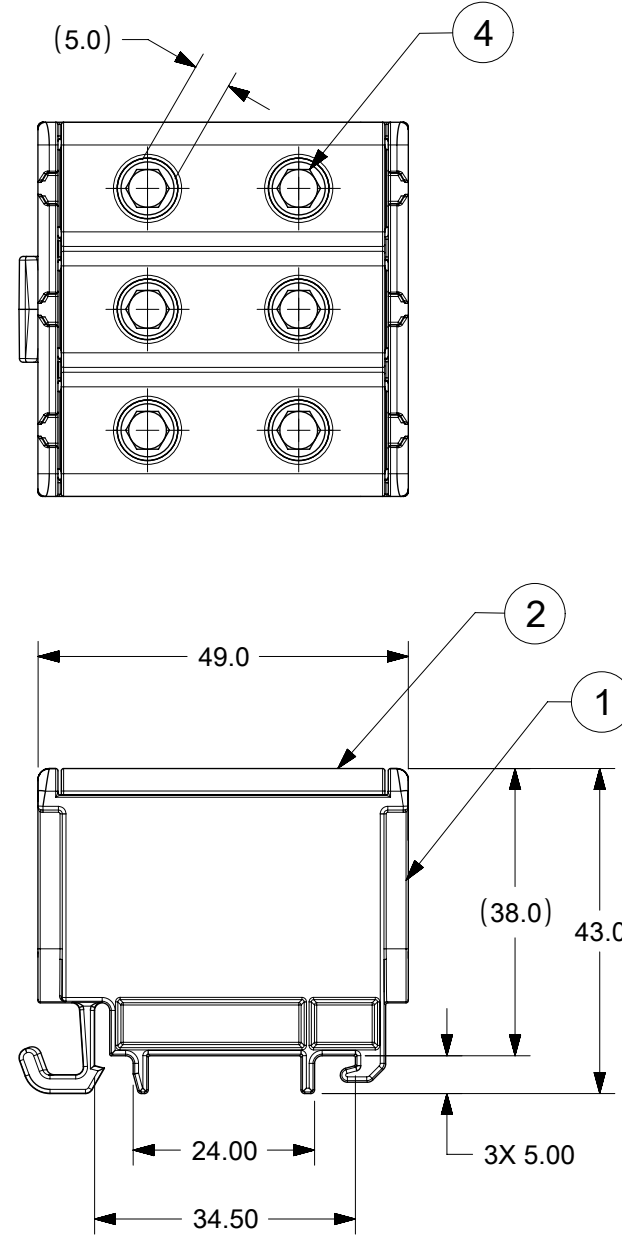
Email & Skype: info@chipsmall.com Web: www.chipsmall.com

Address: A1208, Overseas Decoration Building, #122 Zhenhua RD., Futian, Shenzhen, China



NOTES:

1. MOUNTING TYPE: DIN RAIL SIZE 35x7.5 mm.
2. VOLTAGE: 600 V.
3. CURRENT: Cu 150 A, Al 120 A.
3. WIRE CROSS-SECTION RANGE:
Cu/Al 6-1/0 AWG (13-53 mm²) STRANDED,
Cu 3x8 AWG (3X8.3mm²) STRANDED,
Cu 2X6 AWG (2X13mm²) STRANDED.
4. HEAD CAP SCREW WITH 5mm HEXAGON SOCKET SIZE.
USE A TOOL WITH LENGTH ALLOWING FOR A FULL SCREW ENGAGEMENT.
5. RECOMMENDED TIGHTENING TORQUE:
90 lb-in (10 Nm).
6. ALL ELECTRICAL AND MECHANICAL SPECIFICATIONS ARE PER UL1059 AS NOTED IN MOLEX UL AGENCY APPROVAL.
7. THE SUITABILITY OF THESE TERMINALS SHALL BE DETERMINED IN THE END-USE INVESTIGATION.
8. AS ENVIRONMENTAL BARRIER DIELECTRIC GREASE MAY BE PRESENT IN THE WIRING CHAMBER. ENSURE TO USE THE RECOMMENDED TIGHTENING TORQUE FOR ALL CONDUCTORS.



ITEM	QTY	DESCRIPTION	MATERIAL
4	6	SCREW, SET	ALUMINUM
3	3	CAGE	ALUMINUM
2	1	COVER	POLYAMIDE
1	1	HOUSING	POLYAMIDE

TOLERANCE	>0.5=3	>3=6	>6=30	>30=120	>120=400
ISO 2768-m	±0.1	±0.1	±0.2	±0.3	±0.5

THIS DRAWING CONTAINS INFORMATION THAT IS PROPRIETARY TO MOLEX ELECTRONIC TECHNOLOGIES, LLC AND SHOULD NOT BE USED WITHOUT WRITTEN PERMISSION

EC NO: 120665 DRWN: WLEUNG CHKD: DNGUYEN62 APPR: JFMURPHY	2017/08/14 2017/08/15 2017/08/18	GENERAL TOLERANCES (UNLESS SPECIFIED) ANGULAR TOL ± ° 4 PLACES ± 3 PLACES ± 2 PLACES ± SEE CHART 1 PLACE ± 0 PLACES ±	DIMENSION UNITS: mm SCALE: 1:1				
	DRWN BY: WLEUNG DATE: 2017/08/14	CHK'D BY: DNGUYEN62 DATE: 2017/08/15	APPR BY: JFMURPHY DATE: 2017/08/18				
	DRAWING SIZE: B THIRD ANGLE PROJECTION	SERIES: 201606 MATERIAL NUMBER: 2016066163		CUSTOMER:			
	A	REV:	DRAFT WHERE APPLICABLE MUST REMAIN WITHIN DIMENSIONS	B	DOCUMENT NUMBER: 2016066163 DOC TYPE: PSD DOC PART: 000 SHEET NUMBER: 1 OF 1		