



Chipsmall Limited consists of a professional team with an average of over 10 year of expertise in the distribution of electronic components. Based in Hongkong, we have already established firm and mutual-benefit business relationships with customers from,Europe,America and south Asia,supplying obsolete and hard-to-find components to meet their specific needs.

With the principle of "Quality Parts,Customers Priority,Honest Operation,and Considerate Service",our business mainly focus on the distribution of electronic components. Line cards we deal with include Microchip,ALPS,ROHM,Xilinx,Pulse,ON,Everlight and Freescale. Main products comprise IC,Modules,Potentiometer,IC Socket,Relay,Connector.Our parts cover such applications as commercial,industrial, and automotives areas.

We are looking forward to setting up business relationship with you and hope to provide you with the best service and solution. Let us make a better world for our industry!



Contact us

Tel: +86-755-8981 8866 Fax: +86-755-8427 6832

Email & Skype: info@chipsmall.com Web: www.chipsmall.com

Address: A1208, Overseas Decoration Building, #122 Zhenhua RD., Futian, Shenzhen, China

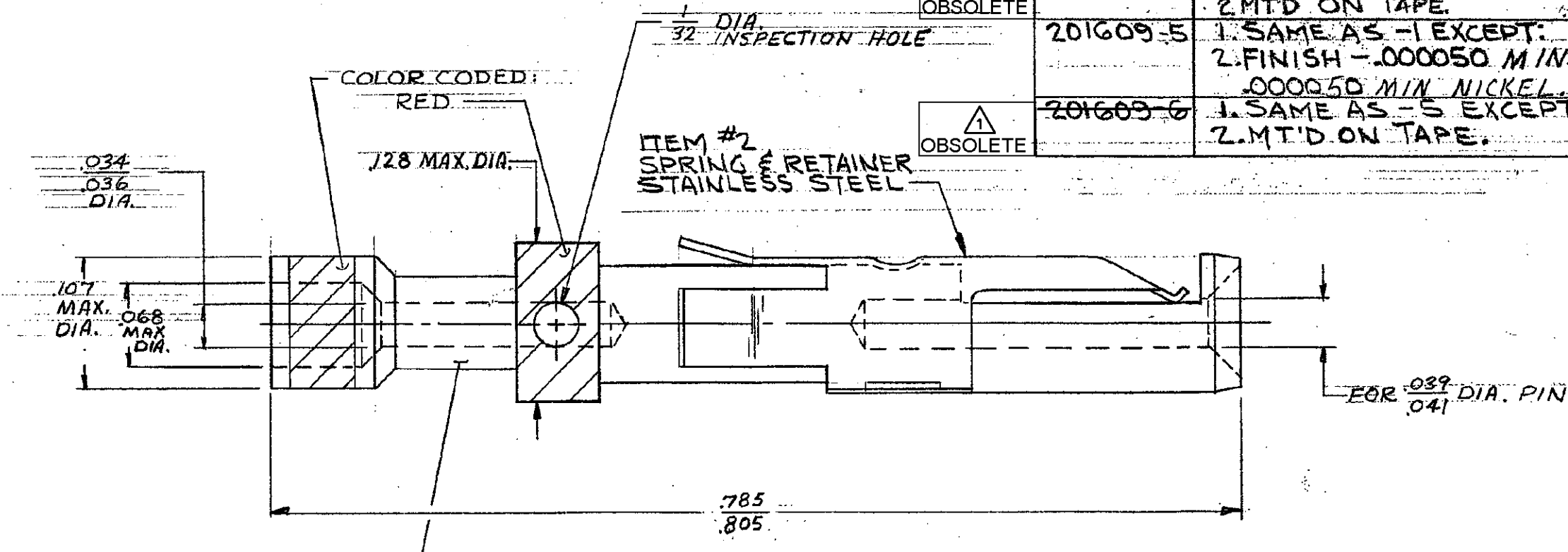


NUMBER 201609

NOTES:

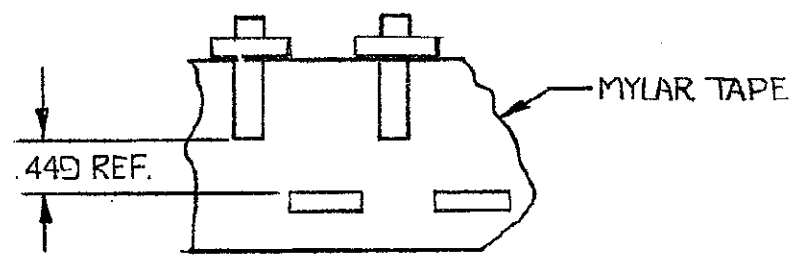
⚠ OBSOLETE PARTS: OBSOLETE CIS STREAMLINING PER D.RENAUD/D.SINISI

	201609-1	1. AS SHOWN.
OBSOLETE	201609-2	1. SAME AS -1 EXCEPT; 2. FINISH OF ITEM #1, SILVER OVER NICKEL
OBSOLETE	201609-3	1. SAME AS -1 EXCEPT; 2. FINISH OF ITEM #1, .0001 MIN GOLD OVER .0001 MIN SILVER
OBSOLETE	201609-4	1. SAME AS -1 EXCEPT; 2. MTD ON TAPE.
	201609-5	1. SAME AS -1 EXCEPT; 2. FINISH -.000050 MIN GOLD OVER .000050 MIN NICKEL.
OBSOLETE	201609-6	1. SAME AS -5 EXCEPT; 2. MTD ON TAPE.



ITEM #1
SOCKET BODY
COPPER ALLOY
.00003 MIN GOLD OVER
.00005 MIN NICKEL

WHEN ORDERING CONTACT ON TAPE, ORDER BY THE TAPE NUMBER PLUS THE PACKAGING CODE AS FOLLOWS:
1. FOR USE WITH AMP TAPETRONIC, PNEUMATIC TOOL -
A. 1000 PARTS TO A BOX ADD PACKAGING CODE: 1MBOX
2. FOR USE WITH 4/8 INDENT STRIPPER CRIMPER -
A. 1000 PARTS TO A REEL ADD PACKAGING CODE: 1MREEL
B. 5000 PARTS TO A REEL ADD PACKAGING CODE: 5MREEL



TAPE MTD ASSY
201609-4 AND
201609-6 ONLY.

DIMENSIONS IN INCHES. DO NOT SCALE PRINT

P1	REVISED PER ECO-09-026346		KK	26NOV
			AEG	09
P	REACTIVATE -4 PER EC		GT	6-9-88
	OGIC-62-98			
N	OBS-4 PER ECN B05016			1/92
M	OBS-3 PER ECN B03038			10/89
L	REV PER ECN B02619			3-89
K	OBS-2 PER ECU	S 4359		7/89
J	REACTIVATE -6 PER ECN	S 4770		8-88
H	OBSOLETE -6 PER	S 4350		12-82
G	REVISED	S 4142		9-87
F	REACTIVATED -5 PER ECN	K 323		1/88
E	OBSOLETE -5	J 727		11/82
D2	NOTE ADDED	B 141		11/87
D1	REVISED	B 119		8/87
D	REV RETAINER SPRING TO SET, Z	308		11-88
C	Added -4	2361		1-88
B	REVISED	U-5		7-83
A	REVISED	14/88		12/82
LTR	REVISION RECORD	3341		5/82
		BY ECA	CHK	DATE

TOLERANCES
EXCEPT AS NOTED
DECIMALS: ± .008
FRACTIONS: ± 1/64
ANGLES: ± 1/2°

© 1961 BY AMP INCORPORATED
AMP PRODUCTS COVERED BY PATENTS
AND/OR PATENTS PENDING

MATERIAL	SEE CALL OUT	DR	J. Kaufman 12-1-61	ENGR	J. B. McMillan 11-5-61
HEAT TREAT	-H-	CHK	G. Dilligant 12-5-61	APP	R. Curry 12/5/61
FINISH	SEE CALL OUT	AMP AMP INCORPORATED HARRISBURG, PENNA.			
NAME	#20 SOCKET CONTACT ASSY				
	WIRE SIZE 28-24 ~.035-.055 INS. DIA.				
SCALE	10:1	LOC	FT B	NO	201609
				REV	P1

CUSTOMER DRAWING