



Chipsmall Limited consists of a professional team with an average of over 10 year of expertise in the distribution of electronic components. Based in Hongkong, we have already established firm and mutual-benefit business relationships with customers from,Europe,America and south Asia,supplying obsolete and hard-to-find components to meet their specific needs.

With the principle of “Quality Parts,Customers Priority,Honest Operation,and Considerate Service”,our business mainly focus on the distribution of electronic components. Line cards we deal with include Microchip,ALPS,ROHM,Xilinx,Pulse,ON,Everlight and Freescale. Main products comprise IC,Modules,Potentiometer,IC Socket,Relay,Connector.Our parts cover such applications as commercial,industrial, and automotives areas.

We are looking forward to setting up business relationship with you and hope to provide you with the best service and solution. Let us make a better world for our industry!



Contact us

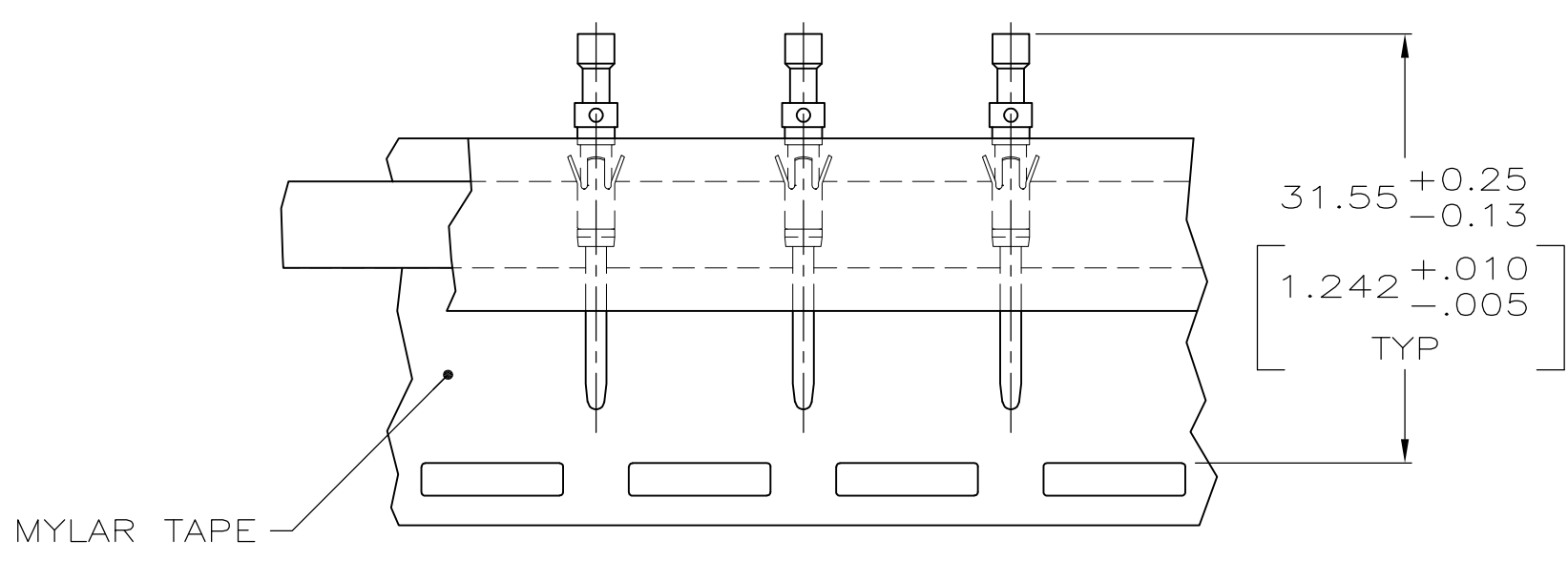
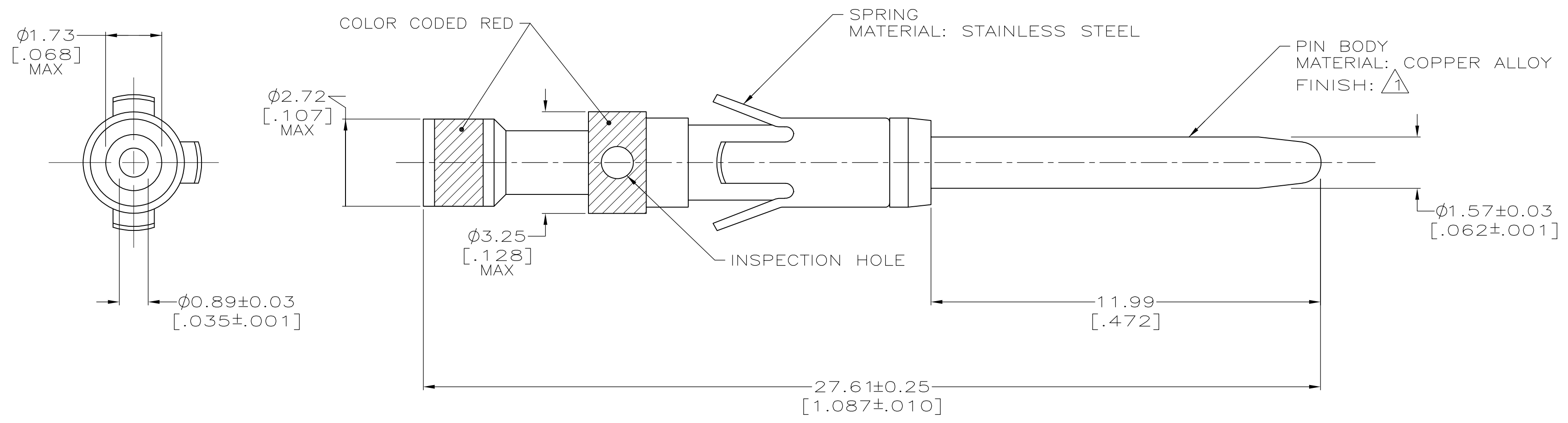
Tel: +86-755-8981 8866 Fax: +86-755-8427 6832

Email & Skype: info@chipsmall.com Web: www.chipsmall.com

Address: A1208, Overseas Decoration Building, #122 Zhenhua RD., Futian, Shenzhen, China



LOC	DIST	REVISIONS			
P	LTR	DESCRIPTION	DATE	DWN	APVD
FT	8				
N		REDRAWN W/O CHANGE PER EC 0320-98-96	24 NOV 97	-	-
N1		REVISED PER ECO-09-021826	11JAN10	KK	AEG



TAPE MTG DETAIL
SCALE 2:1

- 0.76µm [.000030] MIN GOLD OVER 1.27µm [.000050] MIN NICKEL.
- WHEN ORDERING CONTACT ASSEMBLY ON TAPE, ORDER BY THE TAPE NUMBER PLUS THE PACKAGING CODE AS FOLLOWS:
 1. FOR USE WITH AMP TAPETRONIC, PNEUMATIC TOOL-
 - A. 1000 PARTS TO A BOX ADD PACKAGING CODE: 1MBOX
 2. FOR USE WITH 4/8 INDENT STRIPPER CRIMPER-
 - A. 1000 PARTS TO A REEL ADD PACKAGING CODE: 1MREEL
 - B. 5000 PARTS TO A REEL ADD PACKAGING CODE: 5MREEL
- OBsolete PARTS: OBSOLETE CIS STREAMLINING PER D.RENAUD/D.SINISI

OBSOLETE	TAPE MTD	201611-4
	STANDARD	201611-1
	PACKAGING TYPE	PART NUMBER

THIS DRAWING IS A CONTROLLED DOCUMENT.		DWN	B. CARBO	24 NOV 97	AMP	AMP Incorporated	
		CHK	R. STONE	09 DEC 97		Harrisburg, PA 17105-3608	
DIMENSIONS:		TOLERANCES UNLESS OTHERWISE SPECIFIED:		APVD	G. STEINHAUER	NAME	
mm [INCHES]		0 PLC	±-	PRODUCT SPEC		CONTACT ASSEMBLY, PIN, #16, 24-28AWG, TYPE II	
		1 PLC	±-	APPLICATION SPEC		SIZE	
		2 PLC	±0.13 [.005]			CAGE CODE	
		3 PLC	±-			DRAWING NO	
		4 PLC	±-			RESTRICTED TO	
		ANGLES	±-			A2 00779	
MATERIAL		FINISH		WEIGHT		201611	
SEE CALLOUTS		SEE CALLOUTS		-		-	
CUSTOMER DRAWING				SCALE	10:1	SHEET	1 OF 1
				REV	N1		

201611

B

A