



Chipsmall Limited consists of a professional team with an average of over 10 year of expertise in the distribution of electronic components. Based in Hongkong, we have already established firm and mutual-benefit business relationships with customers from,Europe,America and south Asia,supplying obsolete and hard-to-find components to meet their specific needs.

With the principle of “Quality Parts,Customers Priority,Honest Operation,and Considerate Service”,our business mainly focus on the distribution of electronic components. Line cards we deal with include Microchip,ALPS,ROHM,Xilinx,Pulse,ON,Everlight and Freescale. Main products comprise IC,Modules,Potentiometer,IC Socket,Relay,Connector.Our parts cover such applications as commercial,industrial, and automotives areas.

We are looking forward to setting up business relationship with you and hope to provide you with the best service and solution. Let us make a better world for our industry!



Contact us

Tel: +86-755-8981 8866 Fax: +86-755-8427 6832

Email & Skype: info@chipsmall.com Web: www.chipsmall.com

Address: A1208, Overseas Decoration Building, #122 Zhenhua RD., Futian, Shenzhen, China



NUMBER 201645

USED ON

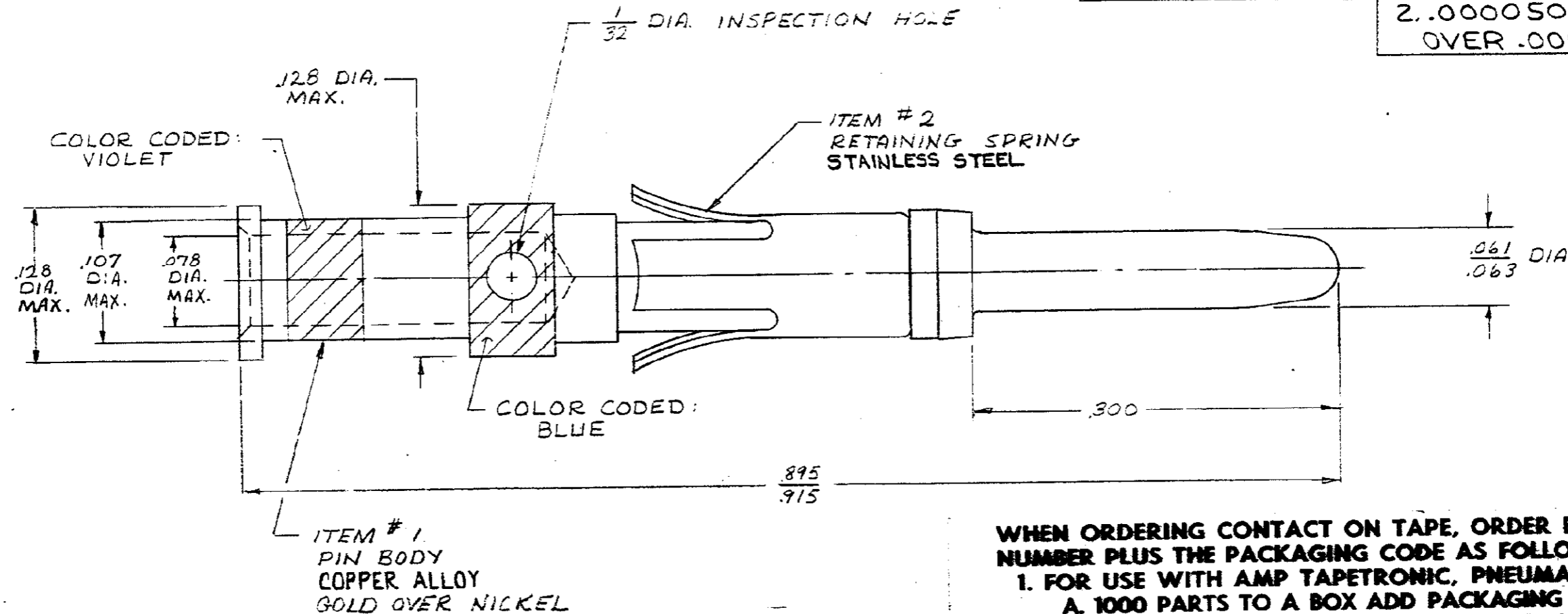
03

DIMENSIONS IN INCHES. DO NOT SCALE PRINT.

PRINT JOB 39

201645-1 .000030 MIN GOLD OVER
1.000050 MIN NICKEL.
OBSOLETE 201645-2 1. SAME AS -1 EXCEPT:
2. MTD ON TAPE

OBSOLETE 201645-3 1. SAME AS -1 EXCEPT:
2. .000050 GOLD OVER .000030 NI.



WHEN ORDERING CONTACT ON TAPE, ORDER BY THE TAPE NUMBER PLUS THE PACKAGING CODE AS FOLLOWS:

1. FOR USE WITH AMP TAPETRONIC, PNEUMATIC TOOL -
 - A. 1000 PARTS TO A BOX ADD PACKAGING CODE: 1MBOX
2. FOR USE WITH 4/8 INDENT STRIPPER CRIMPER -
 - A. 1000 PARTS TO A REEL ADD PACKAGING CODE: 1MREEL
 - B. 5000 PARTS TO A REEL ADD PACKAGING CODE: 5MREEL

L	REVISED ECN BD2619		THW	3-89
K	OBS-2 PER ECN	S 4359	THW	7/169
J	OBS-3 PER ECN	S 4436	THW	4-88
H	REVISED	S 4142	THW	9-87
G	REV PER ECL	B 840	THW	12/77
F	ADDED-3 PER ECN	B 742	THW	5/87
E	NOTE ADDED	B 141	THW	7/87
D	REV. RETAINER SPRING TO SST	Z 208	THW	12-86
C	ADDED - ?	Z 361	THW	1-88
B	REVISED	U-5	THW	8-83
A	REVISED	R/DR	THW	4/81
	REVISED	S 341	THW	5-82
	REVISED	S 111	THW	2-82
	MATZ WAS BRONZE ON RETAINING SPRING	S 111	THW	2-82
LTR	REVISION RECORD	ECA	BY	DATE

MATERIAL SEE CALL OUT	DR 11/12/81 12276	ENGR 12/28/61
HEAT TREAT H	CHK 1-3-82	APP 12/28/61
FINISH SEE CALL OUT	AMP AMP INCORPORATED HARRISBURG, PENNA.	
NAME #16 PIN CONTACT ASSY SPECIAL SHORT WIRE SIZE #14		
SCALE 10:1	LOC R	NO 201645
	REV B	REV L

CUSTOMER DRAWING