



Chipsmall Limited consists of a professional team with an average of over 10 year of expertise in the distribution of electronic components. Based in Hongkong, we have already established firm and mutual-benefit business relationships with customers from,Europe,America and south Asia,supplying obsolete and hard-to-find components to meet their specific needs.

With the principle of “Quality Parts,Customers Priority,Honest Operation,and Considerate Service”,our business mainly focus on the distribution of electronic components. Line cards we deal with include Microchip,ALPS,ROHM,Xilinx,Pulse,ON,Everlight and Freescale. Main products comprise IC,Modules,Potentiometer,IC Socket,Relay,Connector.Our parts cover such applications as commercial,industrial, and automotives areas.

We are looking forward to setting up business relationship with you and hope to provide you with the best service and solution. Let us make a better world for our industry!



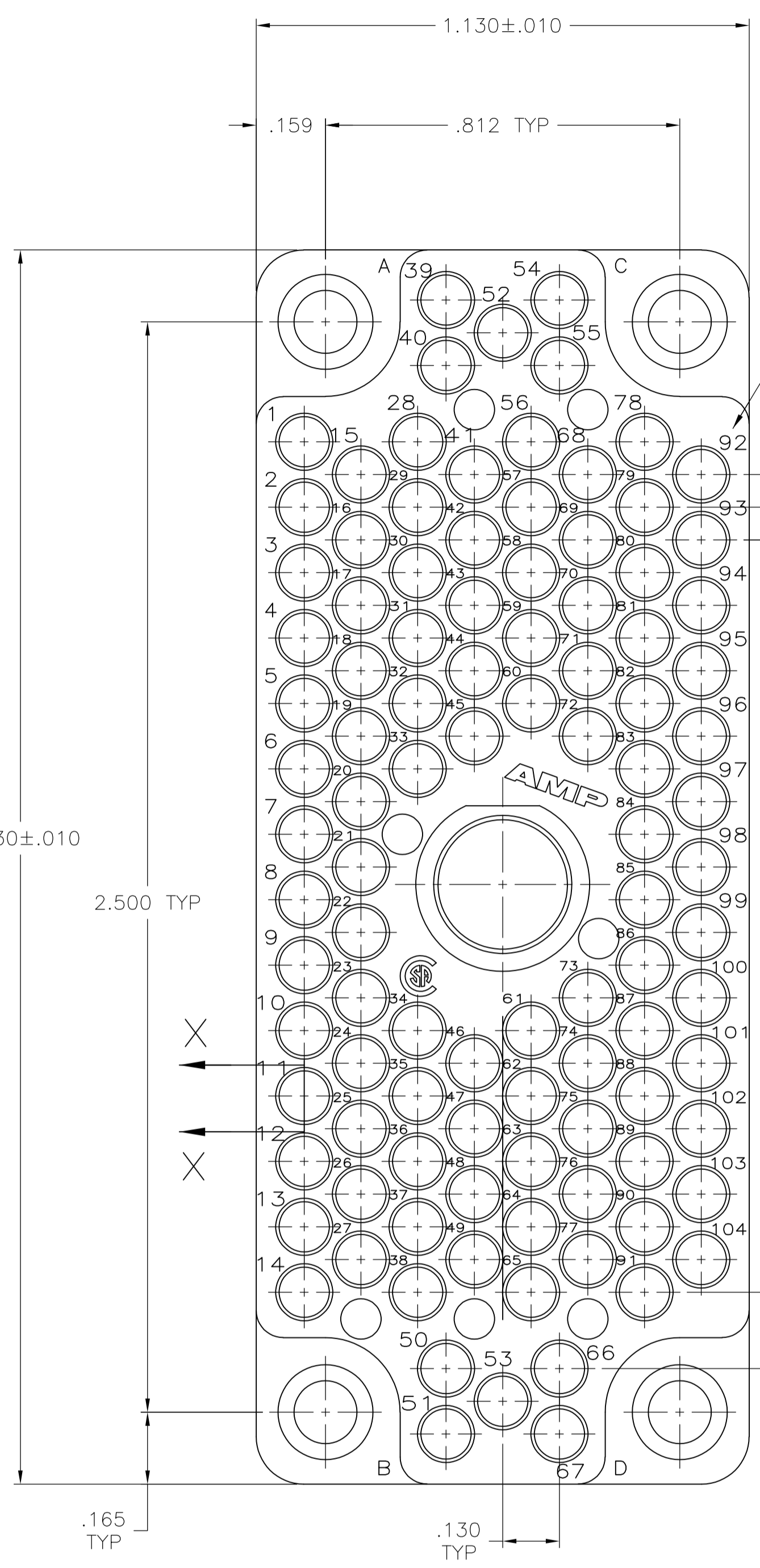
Contact us

Tel: +86-755-8981 8866 Fax: +86-755-8427 6832

Email & Skype: info@chipsmall.com Web: www.chipsmall.com

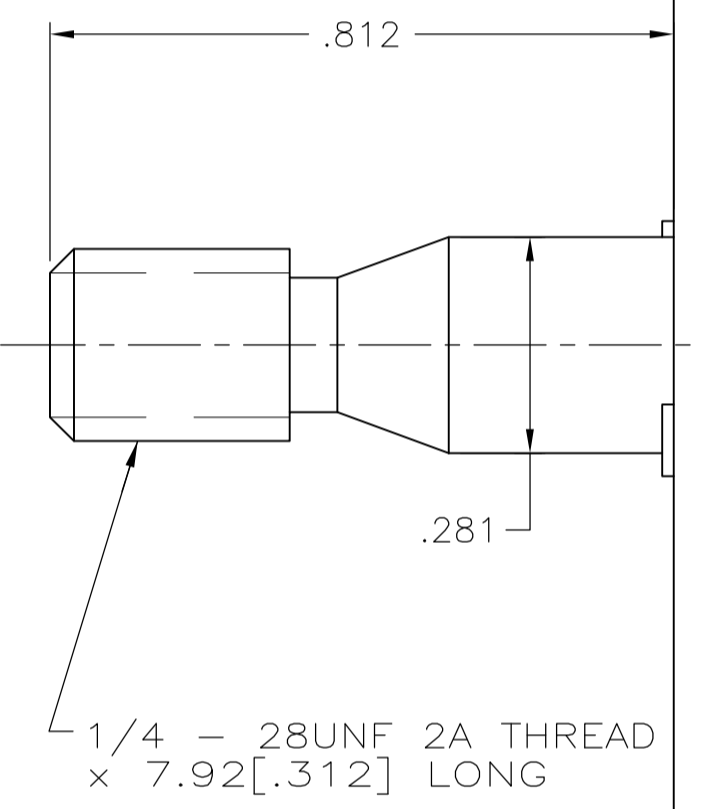
Address: A1208, Overseas Decoration Building, #122 Zhenhua RD., Futian, Shenzhen, China



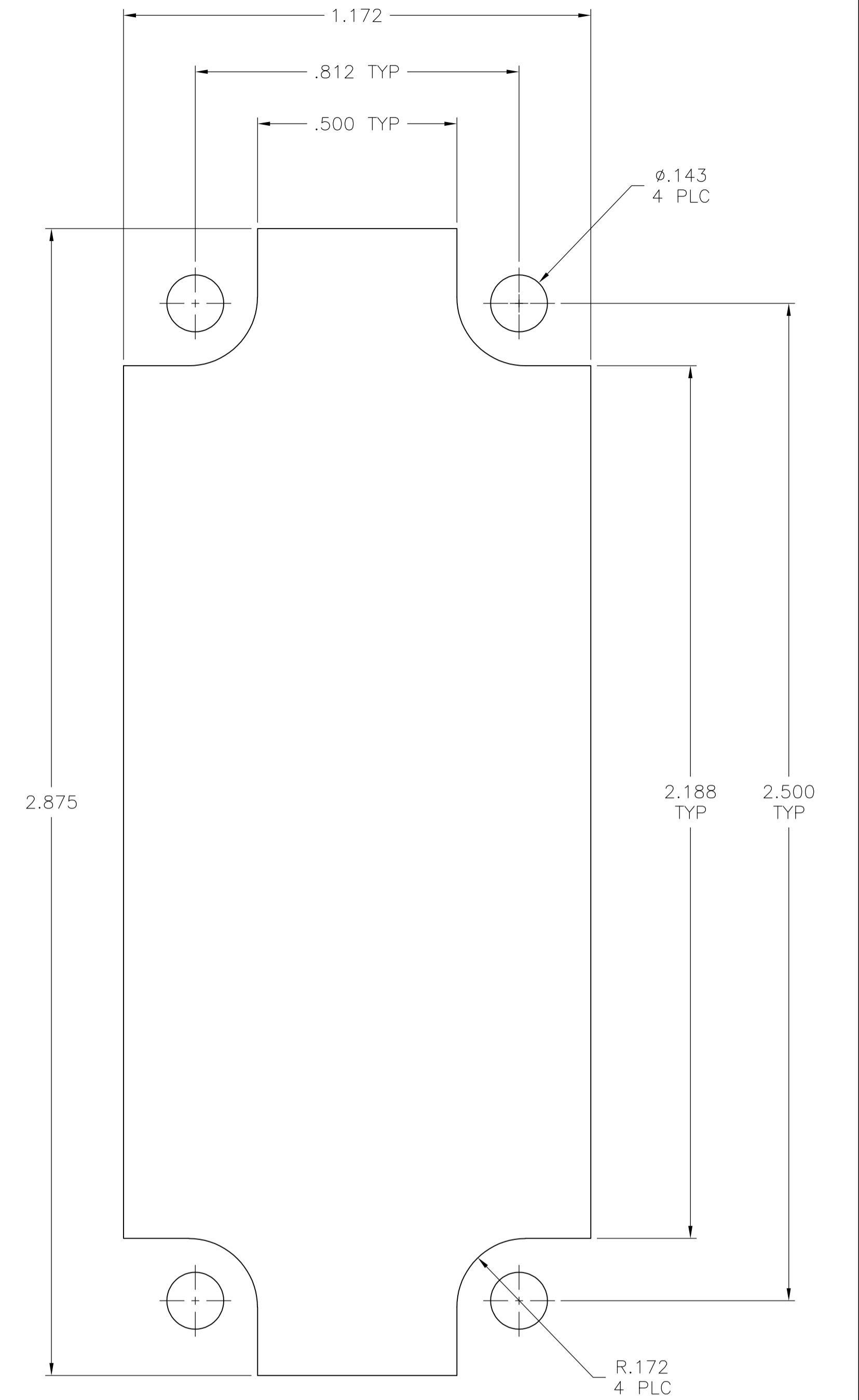
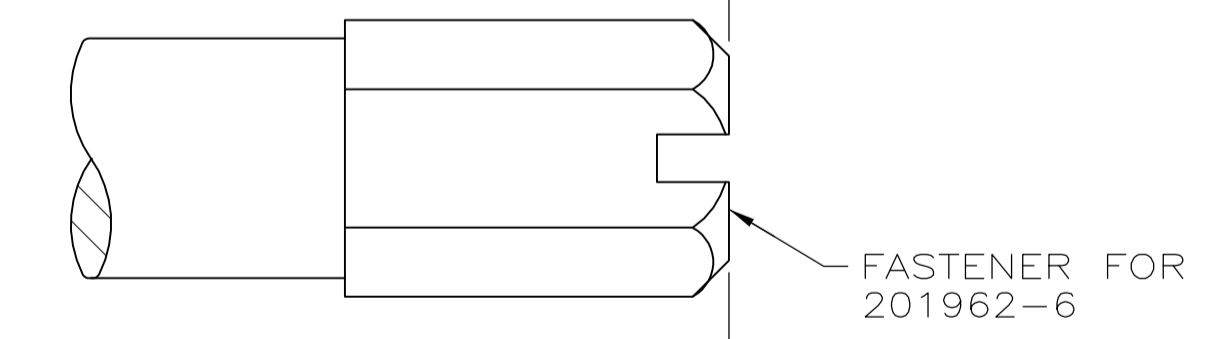
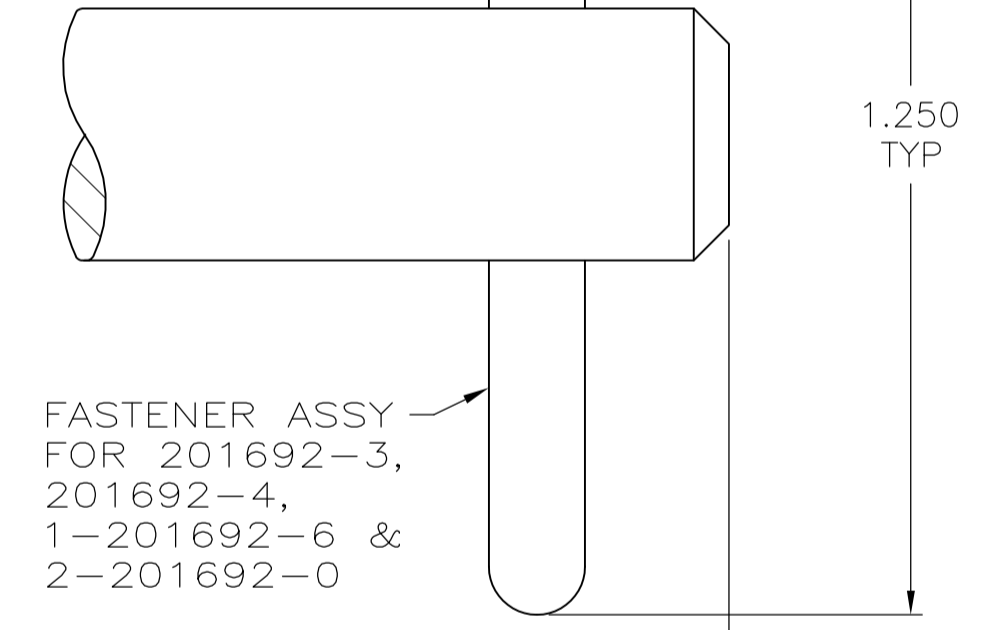
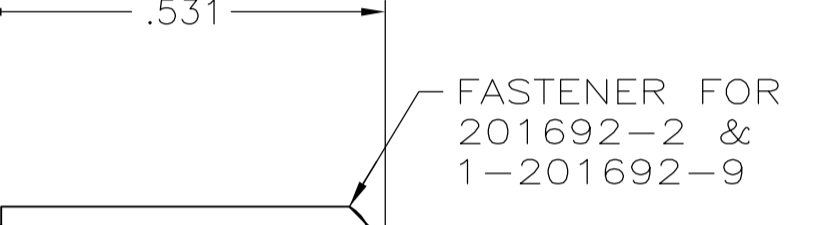
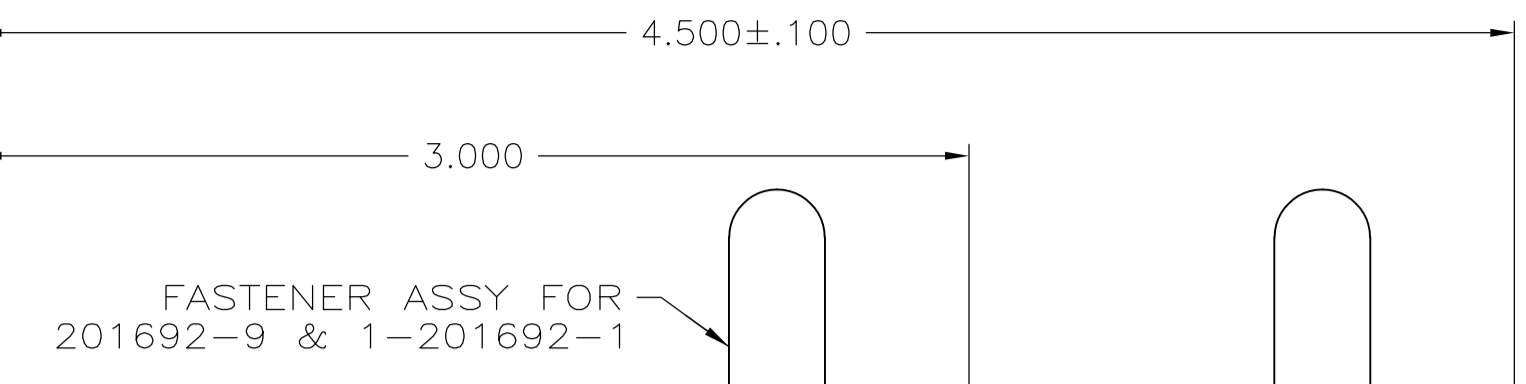


MATING FACE
MOLDED CHARACTERS BOTH SIDES

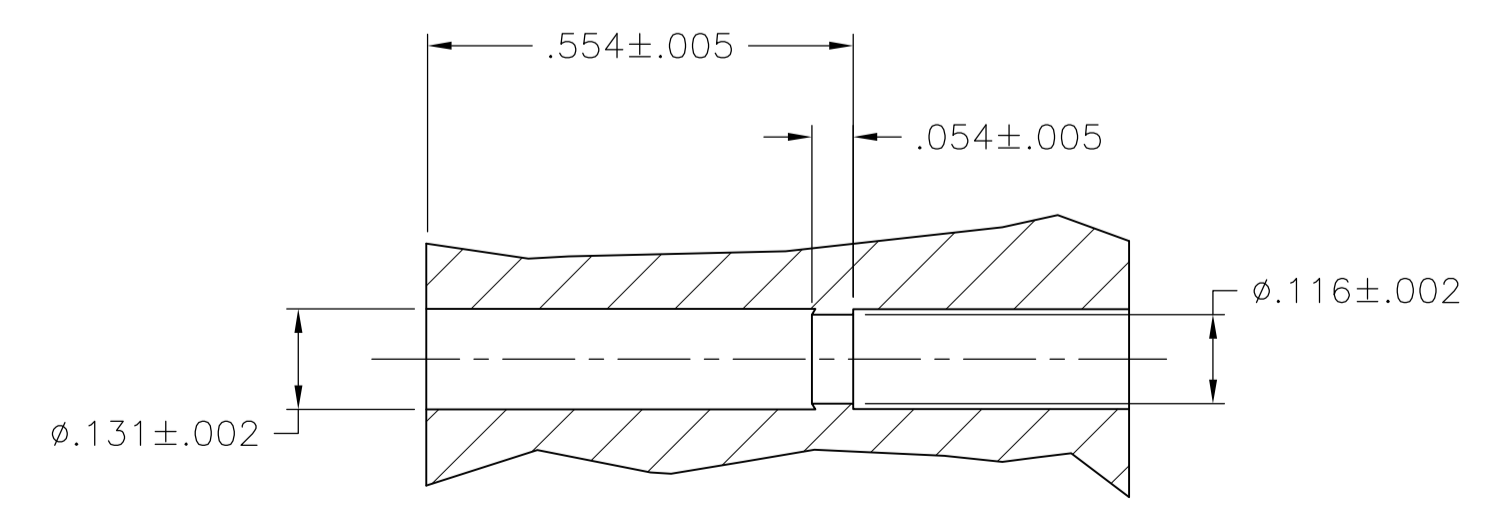
.150 TYP
.075 TYP



AMP, PART NUMBER & DATE CODE IN THIS AREA



PANEL CUT-OUT DETAIL



SECTION X-X TYP

- 1 PHENOLIC PER MIL-M-14F, TYPE MFH, BLACK.
- 2 DIALLYL PHTHALATE PER MIL-M-14F, TYPE SDG-F, BLUE.
- 3 VALOX 420 SEO.
- 4 ACCOMMODATES TYPE II OR TYPE III SIZE #16 SOCKET CONTACTS.
- 5 STAINLESS STEEL.
- 6 FOR MATING BLOCK SEE CUSTOMER DRAWING 201532.

1	2-201692-0
3	1-201692-9
1	1-201692-7
3	1-201692-6
1	1-201692-1
2	201692-9
1	201692-6
1	201692-4
2	201692-3
1	201692-2
BLOCK MATERIAL	PART NUMBER

THIS DRAWING IS A CONTROLLED DOCUMENT.

DIMENSIONS: INCHES	TOLERANCES UNLESS OTHERWISE SPECIFIED:	APVD: G.A. STEINHAEUER	NAME: G.A. STEINHAEUER
0 PLC ± -	1 PLC ± -	DATE: 03 JAN 96	DATE: 14 DEC 95
1 PLC ± -	2 PLC ± 0.38[.015]	DATE: 19 DEC 95	DATE: 19 DEC 95
3 PLC ± -	4 PLC ± -	APPLICATION SPEC	DATE: 03 JAN 96
4 PLC ± -	ANGLES ± -	WEIGHT	DATE: 03 JAN 96
MATERIAL: BLOCK: SEE TABLE HARDWARE & INSERTS	FINISH: -	SCALE: 4:1	DATE: 03 JAN 96

STE TE Connectivity

PLUG BLOCK ASSEMBLY, 104 POSITION, RECTANGULAR M SERIES

SIZE: A1 00779 C=201692

CUSTOMER DRAWING SHEET 1 OF 1 REV AN2