



Chipsmall Limited consists of a professional team with an average of over 10 year of expertise in the distribution of electronic components. Based in Hongkong, we have already established firm and mutual-benefit business relationships with customers from,Europe,America and south Asia,supplying obsolete and hard-to-find components to meet their specific needs.

With the principle of "Quality Parts,Customers Priority,Honest Operation,and Considerate Service",our business mainly focus on the distribution of electronic components. Line cards we deal with include Microchip,ALPS,ROHM,Xilinx,Pulse,ON,Everlight and Freescale. Main products comprise IC,Modules,Potentiometer,IC Socket,Relay,Connector.Our parts cover such applications as commercial,industrial, and automotives areas.

We are looking forward to setting up business relationship with you and hope to provide you with the best service and solution. Let us make a better world for our industry!



Contact us

Tel: +86-755-8981 8866 Fax: +86-755-8427 6832

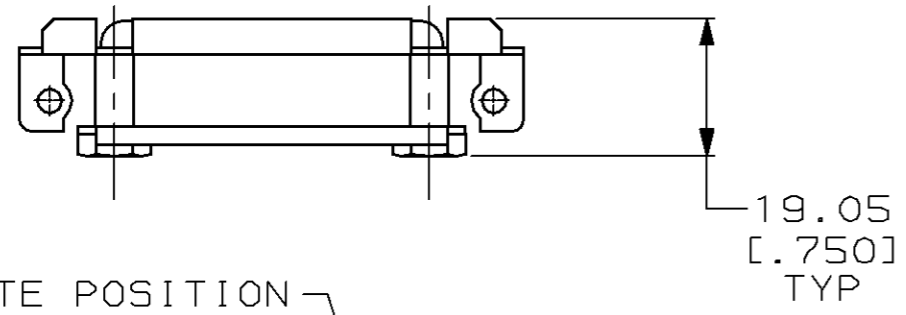
Email & Skype: info@chipsmall.com Web: www.chipsmall.com

Address: A1208, Overseas Decoration Building, #122 Zhenhua RD., Futian, Shenzhen, China

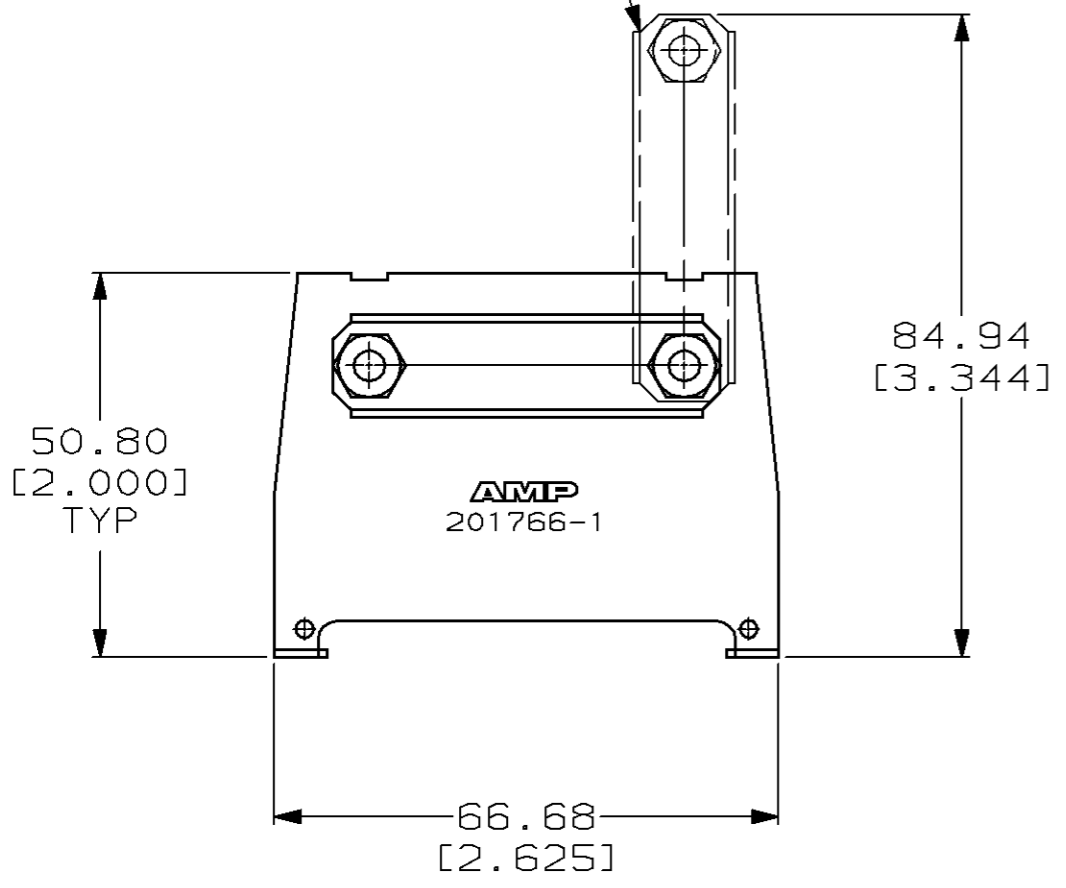


THIS DRAWING IS UNPUBLISHED. RELEASED FOR PUBLICATION ,19 .
 © COPYRIGHT 19 BY AMP INCORPORATED. ALL RIGHTS RESERVED.

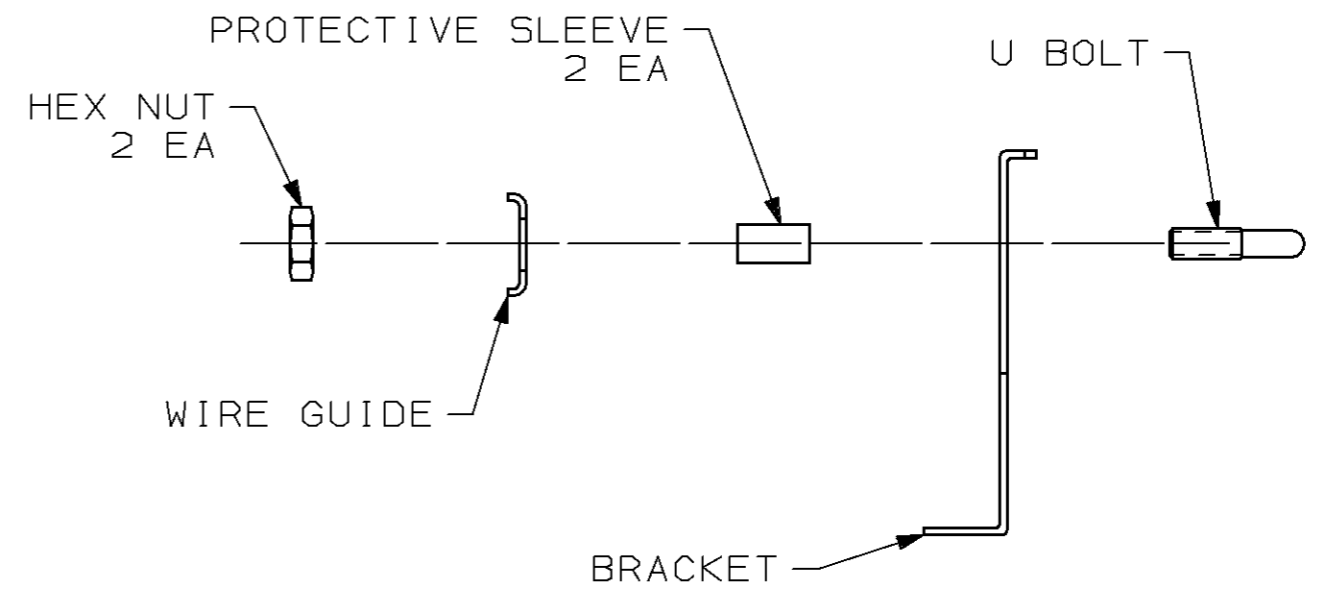
LOC	DIST	REVISIONS			
P	LTR	DESCRIPTION	DATE	DWN	APVD
BD	36				
		K REDRAWN PER EC 0020-1178-94	29 AUG 95	-	-



ALTERNATE POSITION OF U BOLT & WIRE GUIDE FOR 90° CABLE OUTLET



ASSEMBLED VIEW



- 1 U BOLT: STAINLESS STEEL PER ASTM-A-582.
BRACKET: STAINLESS STEEL PER QQ-S-766.
PROTECTIVE SLEEVE: POLYVINYL CHLORIDE.
WIRE GUIDE & HEX NUT: CARBON STEEL.
- 2 U BOLT & BRACKET: PASSIVATED.
WIRE GUIDE: 5.08µm [0.000200] MIN NICKEL PLATED.
HEX NUT: ZINC PLATED PER ASTM-B-633.

201766-1
PART NUMBER

THIS DRAWING IS A CONTROLLED DOCUMENT FOR AMP INCORPORATED. IT IS SUBJECT TO CHANGE AND THE CONTROLLING ENGINEERING ORGANIZATION SHOULD BE CONTACTED FOR THE LATEST REVISION.		DWN	29 AUG 95	AMP Incorporated Harrisburg, PA 17105-3608		
DIMENSIONS: mm [INCHES]		CHK	30 AUG 95			
TOLERANCES UNLESS OTHERWISE SPECIFIED:		APVD	05 OCT 95			
0 PLC ±- 1 PLC ±- 2 PLC ±0.38 [0.015] 3 PLC ±- 4 PLC ±- ANGLES ±-		NAME	G. STEINHAUER			
MATERIAL	FINISH	PRODUCT SPEC		CLAMP KIT, UNASSEMBLED, 41 PLACE, STRAIN RELIEF, M SERIES		
1	2	APPLICATION SPEC		SIZE	CAGE CODE	DRAWING NO
		WEIGHT	-	A3	00779	C-201766
CUSTOMER DRAWING			SCALE	1:1	SHEET	1 OF 1
						REV K