



Chipsmall Limited consists of a professional team with an average of over 10 year of expertise in the distribution of electronic components. Based in Hongkong, we have already established firm and mutual-benefit business relationships with customers from,Europe,America and south Asia,supplying obsolete and hard-to-find components to meet their specific needs.

With the principle of “Quality Parts,Customers Priority,Honest Operation,and Considerate Service”,our business mainly focus on the distribution of electronic components. Line cards we deal with include Microchip,ALPS,ROHM,Xilinx,Pulse,ON,Everlight and Freescale. Main products comprise IC,Modules,Potentiometer,IC Socket,Relay,Connector.Our parts cover such applications as commercial,industrial, and automotives areas.

We are looking forward to setting up business relationship with you and hope to provide you with the best service and solution. Let us make a better world for our industry!



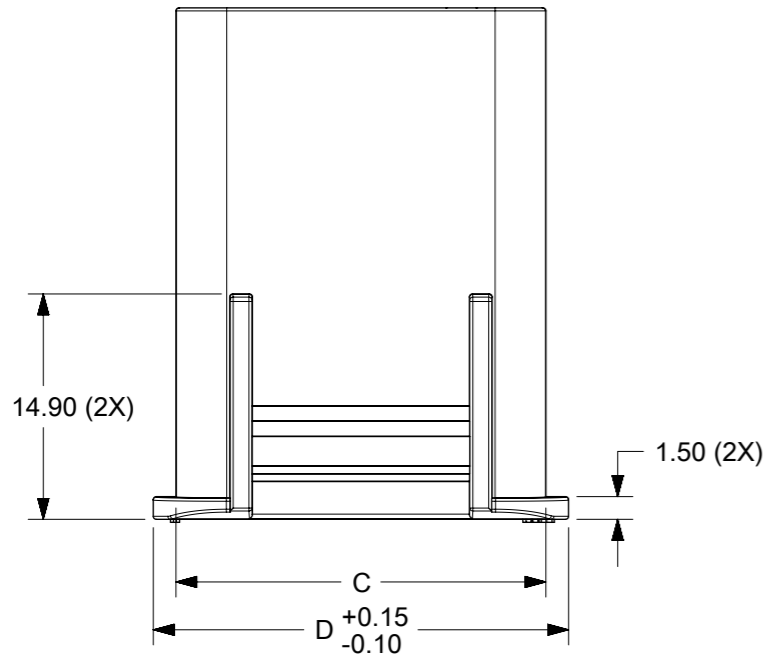
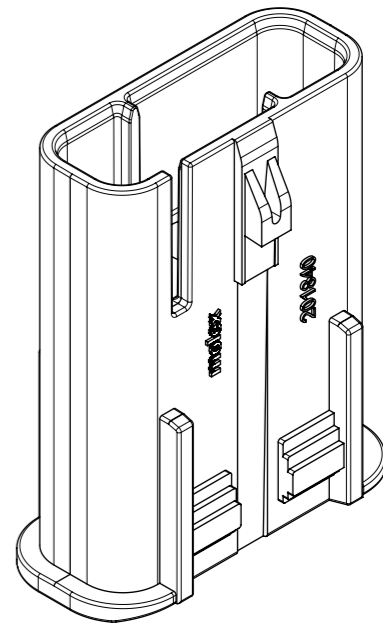
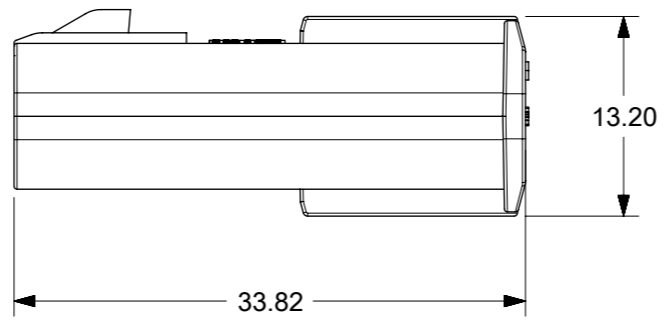
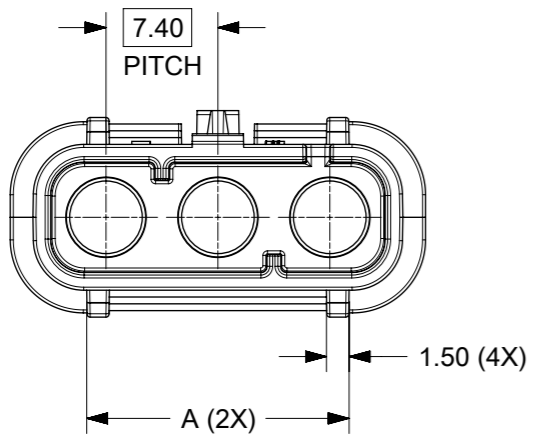
Contact us

Tel: +86-755-8981 8866 Fax: +86-755-8427 6832

Email & Skype: info@chipsmall.com Web: www.chipsmall.com

Address: A1208, Overseas Decoration Building, #122 Zhenhua RD., Futian, Shenzhen, China



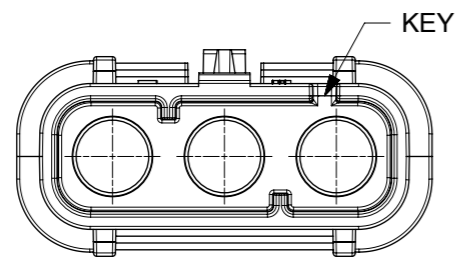


NOTES:

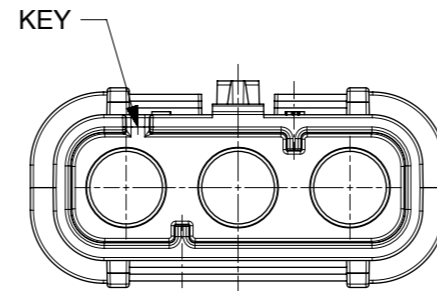
1. HOUSING MATERIAL:
PEI
UL RATED 94 V-0
COLOR: BLACK (FOR KEY-A)
COLOR: GRAY (FOR KEY-B)
2. USED WITH TERMINAL PART NUMBER 201845-00**
3. SHALL CONFIRM TO PRODUCT SPECIFICATION 2018400000-PS
4. COMPLY WITH PACKAGING SPECIFICATION 2018400000-PK
5. COSMETIC SPECIFICATION PS-45499-002 CLASSB

THIS DRAWING CONTAINS INFORMATION THAT IS PROPRIETARY TO MOLEX ELECTRONIC TECHNOLOGIES, LLC AND SHOULD NOT BE USED WITHOUT WRITTEN PERMISSION

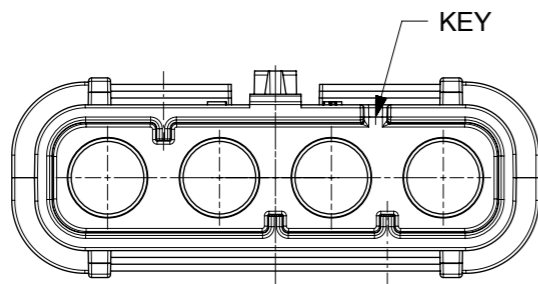
| | | | | | | | | | | |
|---|----------------|---------------------------------------|--|-----------------|------------|-----------------|--------------------------------------|----------------|----------|--------------|
| REV POST FAI/QUAL EC NO: 114667 DRWN: NCSR CHK'D: APPR: KPRASAD | 2017/03/17 | GENERAL TOLERANCES (UNLESS SPECIFIED) | | DIMENSION UNITS | SCALE | | | | | |
| | 2017/04/28 | ANGULAR TOL ± ° | | MM | 2:1 | | | | | |
| | 4 PLACES ± | | 3 PLACES ± 0.05 | | DRWN BY | DATE | MULTICAT IN-LINE PLUG HOUSING WTW | | | |
| | 2 PLACES ± 0.1 | | 1 PLACE ± 0.2 | | RMV02 | 2016/12/06 | | | | |
| | 0 PLACES ± | | DRAFT WHERE APPLICABLE MUST REMAIN WITHIN DIMENSIONS | | CHK'D BY | DATE | PRODUCT CUSTOMER DRAWING | | | |
| A1 | | A3 | | KPRASAD | 2017/01/27 | | | | | |
| REV | | THIRD ANGLE PROJECTION | | DRAWING SIZE | | SERIES | MATERIAL NUMBER | CUSTOMER | | |
| A1 | | A3 | | A3 | | 201840 | SEE TABLE | GENERAL MARKET | | |
| A1 | | A3 | | A3 | | DOCUMENT NUMBER | | DOC TYPE | DOC PART | SHEET NUMBER |
| A1 | | A3 | | A3 | | 2018400000-SD | | PSD | 000 | 1 OF 2 |



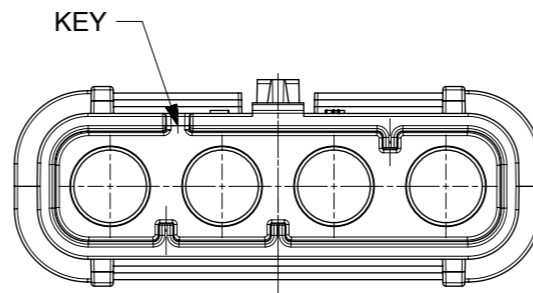
PN 201840-0030
KEY A (BLACK)



PN 201840-0031
KEY B (GRAY)



PN 201840-0040
KEY A (BLACK)



PN 201840-0041
KEY B (GRAY)

| PART NUMBER | PART DESCRIPTION | A | C | D | E |
|-------------|-----------------------------|-------|-------|-------|------|
| 201840-0030 | MULTICAT PLUG HSG 1X3 KEY A | 17.35 | 24.46 | 27.46 | 3.70 |
| 201840-0031 | MULTICAT PLUG HSG 1X3 KEY B | 17.35 | 24.46 | 27.46 | 3.70 |
| 201840-0040 | MULTICAT PLUG HSG 1X4 KEY A | 24.75 | 31.86 | 34.86 | 7.40 |
| 201840-0041 | MULTICAT PLUG HSG 1X4 KEY B | 24.75 | 31.86 | 34.86 | 7.40 |

THIS DRAWING CONTAINS INFORMATION THAT IS PROPRIETARY TO MOLEX ELECTRONIC TECHNOLOGIES, LLC AND SHOULD NOT BE USED WITHOUT WRITTEN PERMISSION

| | | | | | | | |
|---|------------|--|------------------------|-----------------------------------|-----------------|----------------|--------------|
| REV POST FAI/QUAL EC NO: 114667 DRWN: NCSR CHK'D: APPR: KPRASAD | 2017/03/17 | GENERAL TOLERANCES (UNLESS SPECIFIED) ANGULAR TOL ± ° 4 PLACES ± 3 PLACES ± 0.05 2 PLACES ± 0.1 1 PLACE ± 0.2 0 PLACES ± DRAFT WHERE APPLICABLE MUST REMAIN WITHIN DIMENSIONS | DIMENSION UNITS | SCALE | | | |
| | 2017/04/28 | | MM | 2:1 | | | |
| | DRWN BY | | DATE | MULTICAT IN-LINE PLUG HOUSING WTW | | | |
| | RMV02 | | 2016/12/06 | | | | |
| CHK'D BY | DATE | PRODUCT CUSTOMER DRAWING | | | | | |
| KPRASAD | 2017/01/27 | | | | | | |
| APPR BY | DATE | DRAWING SIZE | THIRD ANGLE PROJECTION | SERIES | MATERIAL NUMBER | CUSTOMER | |
| A1 | REV | A3 | | 201840 | SEE TABLE | GENERAL MARKET | |
| | | | | DOCUMENT NUMBER | DOC TYPE | DOC PART | SHEET NUMBER |
| | | | | 2018400000-SD | PSD | 000 | 2 OF 2 |