



Chipsmall Limited consists of a professional team with an average of over 10 year of expertise in the distribution of electronic components. Based in Hongkong, we have already established firm and mutual-benefit business relationships with customers from,Europe,America and south Asia,supplying obsolete and hard-to-find components to meet their specific needs.

With the principle of “Quality Parts,Customers Priority,Honest Operation,and Considerate Service”,our business mainly focus on the distribution of electronic components. Line cards we deal with include Microchip,ALPS,ROHM,Xilinx,Pulse,ON,Everlight and Freescale. Main products comprise IC,Modules,Potentiometer,IC Socket,Relay,Connector.Our parts cover such applications as commercial,industrial, and automotives areas.

We are looking forward to setting up business relationship with you and hope to provide you with the best service and solution. Let us make a better world for our industry!



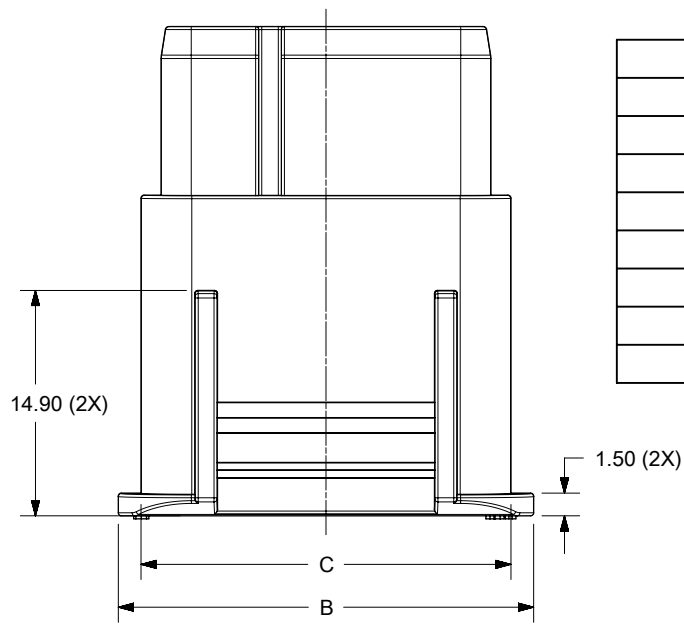
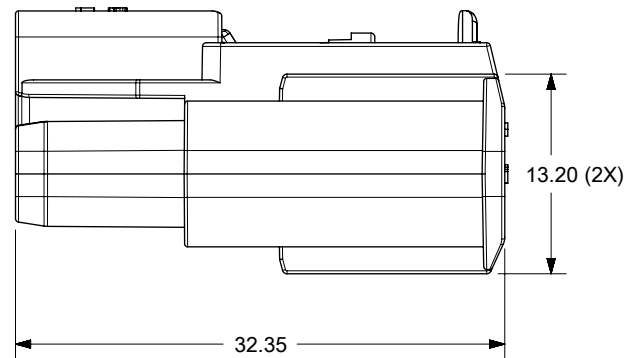
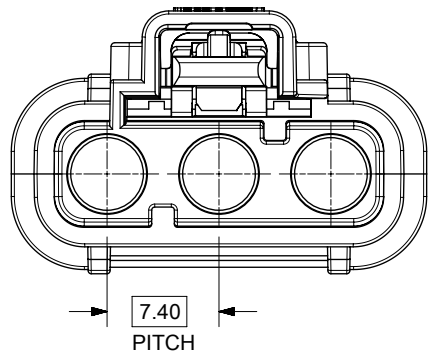
## Contact us

Tel: +86-755-8981 8866 Fax: +86-755-8427 6832

Email & Skype: info@chipsmall.com Web: www.chipsmall.com

Address: A1208, Overseas Decoration Building, #122 Zhenhua RD., Futian, Shenzhen, China





PART NUMBER	PART DESCRIPTION	B	C	D	E
201841-0030	MULTICAT RCPT HSG 1X3 KEY A	27.46	24.46	17.35	3.70
201841-0031	MULTICAT RCPT HSG 1X3 KEY B	27.46	24.46	17.35	3.70
201841-0040	MULTICAT RCPT HSG 1X4 KEY A	34.86	31.86	24.75	7.40
201841-0041	MULTICAT RCPT HSG 1X4 KEY B	34.86	31.86	24.75	7.40
201841-0130	MULTICAT RCPT HSG W/ CPA 1X3 KEY A	27.46	24.46	17.35	3.70
201841-0131	MULTICAT RCPT HSG W/ CPA 1X3 KEY B	27.46	24.46	17.35	3.70
201841-0140	MULTICAT RCPT HSG W/ CPA 1X4 KEY A	34.86	31.86	24.75	7.40
201841-0141	MULTICAT RCPT HSG W/ CPA 1X4 KEY B	34.86	31.86	24.75	7.40

<b>QUALITY SYMBOLS</b> 	THIS DRAWING CONTAINS INFORMATION THAT IS PROPRIETARY TO MOLEX ELECTRONIC TECHNOLOGIES, LLC AND SHOULD NOT BE USED WITHOUT WRITTEN PERMISSION		DIMENSION UNITS: MM SCALE: 2:1			
	GENERAL TOLERANCES (UNLESS SPECIFIED) ANGULAR TOL ±		DRWN BY: RMV02 DATE: 2016/12/06			MULTICAT IN-LINE RECEPTACLE HOUSING WTWWTB
	4 PLACES ± 3 PLACES ± 0.05 2 PLACES ± 0.1 1 PLACE ± 0.2 0 PLACES ±		CHK'D BY: _____ DATE: _____			
	DRAFT WHERE APPLICABLE MUST REMAIN WITHIN DIMENSIONS		APPR BY: KPRASAD DATE: 2017/02/08			PRODUCT CUSTOMER DRAWING
EC NO: 112960 DRWN: NCSR CHK'D: _____ APPR: KPRASAD	PRODUCTION RELEASE 2017/01/27 2017/02/08	DRAWING SIZE: A4 THIRD ANGLE PROJECTION	SERIES: 201841 MATERIAL NUMBER: SEE TABLE CUSTOMER: GENERAL MARKET	DOCUMENT NUMBER: 2018410000-SD DOC TYPE: PSD DOC PART: 000 SHEET NUMBER: 1 OF 3		

6

5

4

3

2

1

NOTES:

1. HOUSING MATERIAL:

- PEI,
- UL RATED 94 V-0
- COLOR: BLACK (FOR KEY-A)
- COLOR: GRAY (FOR KEY-B)

2. CPA MATERIAL:

- PBT
- COLOR: RED

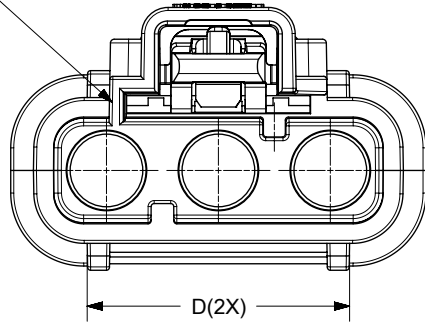
3. USED WITH TERMINAL PART NUMBER 201846-00\*\*

4. SHALL CONFIRM TO PRODUCT SPECIFICATION 2018400000-PS

5. COMPLY WITH PACKAGING SPECIFICATION 2018410000-PK

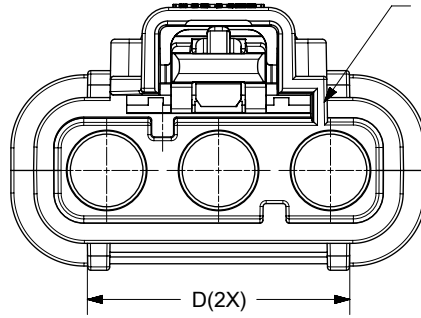
6. COSMETIC SPECIFICATION PS-45499-002 CLASS B

KEY



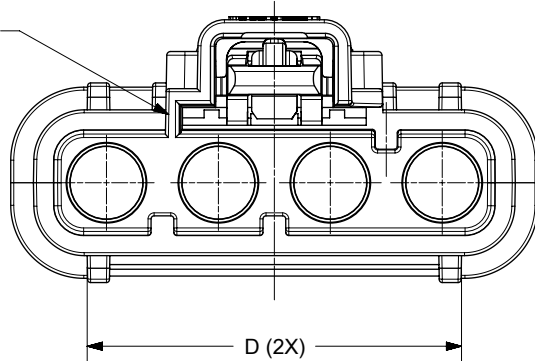
PN 201841-0\*30  
KEY A (BLACK)

KEY



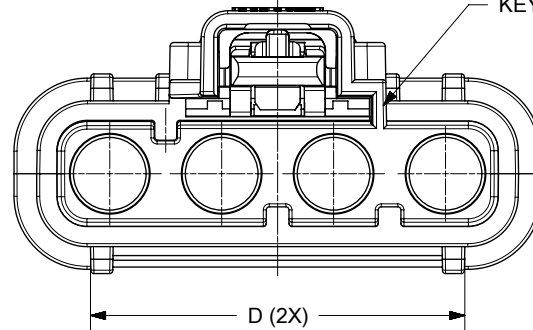
PN 201841-0\*31  
KEY B (GRAY)

KEY



PN 201841-0\*40  
KEY A (BLACK)

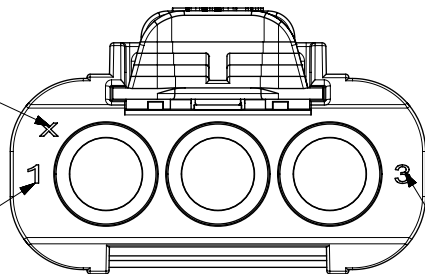
KEY



PN 201841-0\*41  
KEY B (GRAY)

CAVITY ID

SMALLEST  
CKT NO



LARGEST  
CKT NO

THIS DRAWING CONTAINS INFORMATION THAT IS PROPRIETARY TO MOLEX ELECTRONIC TECHNOLOGIES, LLC AND SHOULD NOT BE USED WITHOUT WRITTEN PERMISSION

<b>QUALITY SYMBOLS</b> 	<b>PRODUCTION RELEASE</b> EC NO: 112960 DRWN: NCSR CHK'D: APPR: KPRASAD REV: A	2017/01/27 2017/02/08	<b>GENERAL TOLERANCES (UNLESS SPECIFIED)</b> DIMENSION UNITS: MM SCALE: 2:1	
			ANGULAR TOL ± °	
			4 PLACES ±	DATE: 2016/12/06
			3 PLACES ± 0.05	CHK'D BY: RMV02
			2 PLACES ± 0.1	DATE: 2017/02/08
			1 PLACE ± 0.2	APPR BY: KPRASAD
			0 PLACES ±	DATE: 2017/02/08
			DRAFT WHERE APPLICABLE MUST REMAIN WITHIN DIMENSIONS	
			DRAWING SIZE: A4	THIRD ANGLE PROJECTION

<b>molex</b>			
MULTICAT IN-LINE RECEPTACLE HOUSING WTWWTB			
PRODUCT CUSTOMER DRAWING			
SERIES: 201841	MATERIAL NUMBER: SEE TABLE	CUSTOMER: GENERAL MARKET	
DOCUMENT NUMBER: 2018410000-SD	DOC TYPE: PSD	DOC PART: 000	SHEET NUMBER: 2 OF 3

6

5

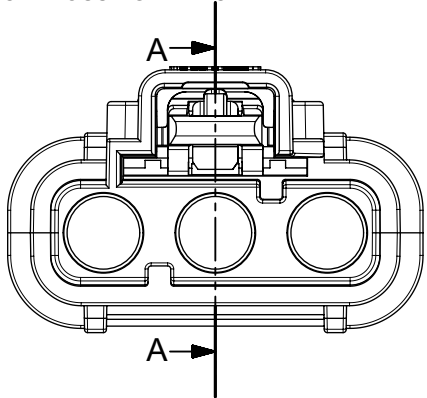
4

3

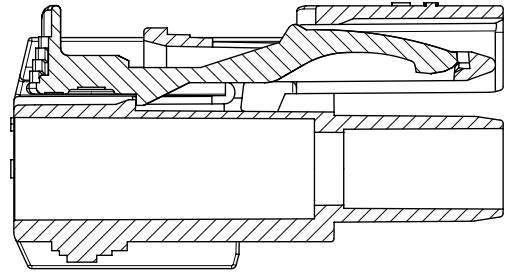
2

1

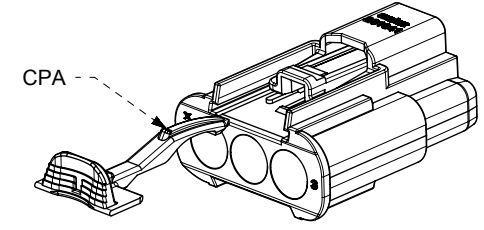
RECEPTACLE HOUSING WITH CPA



PN 201841-01\*\*

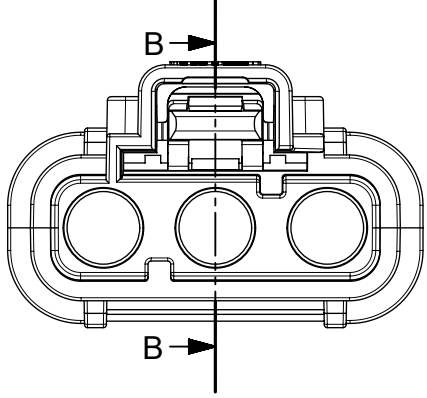


SECTION A-A

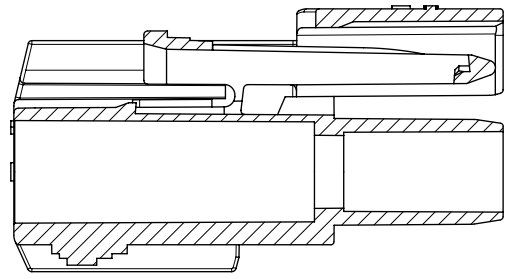


SCALE 1:1

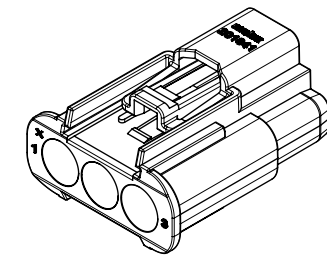
RECEPTACLE HOUSING



PN 201841-00\*\*



SECTION B-B



SCALE 1:1

<p>QUALITY SYMBOLS</p> <p>▽ = 0</p> <p>▽ = 0</p> <p>▽ = 0</p> <p>▽ = 0</p> <p>▽ = 0</p> <p>▽ = 0</p> <p>▽ = 0</p> <p>▽ = 0</p> <p>▽ = 0</p> <p>▽ = 0</p>	THIS DRAWING CONTAINS INFORMATION THAT IS PROPRIETARY TO MOLEX ELECTRONIC TECHNOLOGIES, LLC AND SHOULD NOT BE USED WITHOUT WRITTEN PERMISSION											
	PRODUCTION RELEASE		2017/01/27		2017/02/08		GENERAL TOLERANCES (UNLESS SPECIFIED)		DIMENSION UNITS		SCALE	
	EC NO: 112960		DRWN: NCSR		CHK'D:		ANGULAR TOL ±		MM		2:1	
	REV: A		APPR: KPRASAD		DRAFT WHERE APPLICABLE MUST REMAIN WITHIN DIMENSIONS		4 PLACES ±		DRWN BY		DATE	
							3 PLACES ± 0.05		RMV02		2016/12/06	
							2 PLACES ± 0.1		CHK'D BY		DATE	
							1 PLACE ± 0.2		APPR BY		DATE	
							0 PLACES ±		KPRASAD		2017/02/08	
							DRAFT WHERE APPLICABLE MUST REMAIN WITHIN DIMENSIONS		DRAWING SIZE		THIRD ANGLE PROJECTION	
									A4			



MULTICAT IN-LINE RECEPTACLE HOUSING  
WTWWTB

PRODUCT CUSTOMER DRAWING

SERIES	MATERIAL NUMBER	CUSTOMER	
201841	SEE TABLE	GENERAL MARKET	
DOCUMENT NUMBER	DOC TYPE	DOC PART	SHEET NUMBER
2018410000-SD	PSD	000	3 OF 3