



Chipsmall Limited consists of a professional team with an average of over 10 year of expertise in the distribution of electronic components. Based in Hongkong, we have already established firm and mutual-benefit business relationships with customers from,Europe,America and south Asia,supplying obsolete and hard-to-find components to meet their specific needs.

With the principle of “Quality Parts,Customers Priority,Honest Operation,and Considerate Service”,our business mainly focus on the distribution of electronic components. Line cards we deal with include Microchip,ALPS,ROHM,Xilinx,Pulse,ON,Everlight and Freescale. Main products comprise IC,Modules,Potentiometer,IC Socket,Relay,Connector.Our parts cover such applications as commercial,industrial, and automotives areas.

We are looking forward to setting up business relationship with you and hope to provide you with the best service and solution. Let us make a better world for our industry!



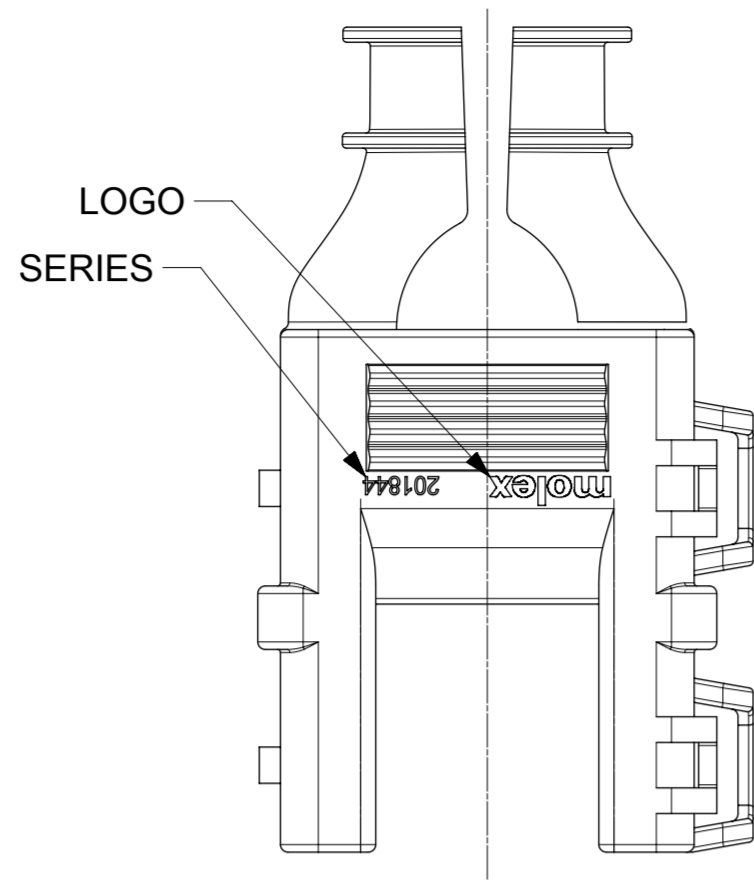
Contact us

Tel: +86-755-8981 8866 Fax: +86-755-8427 6832

Email & Skype: info@chipsmall.com Web: www.chipsmall.com

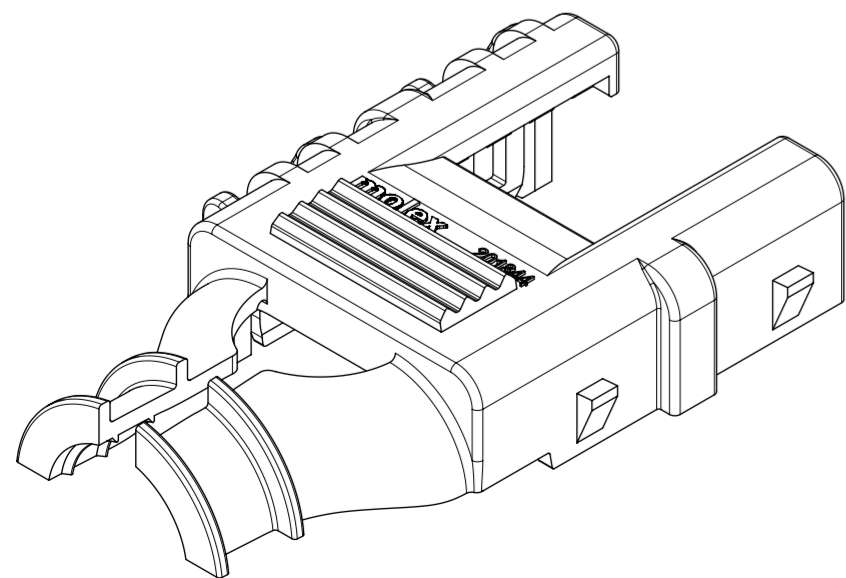
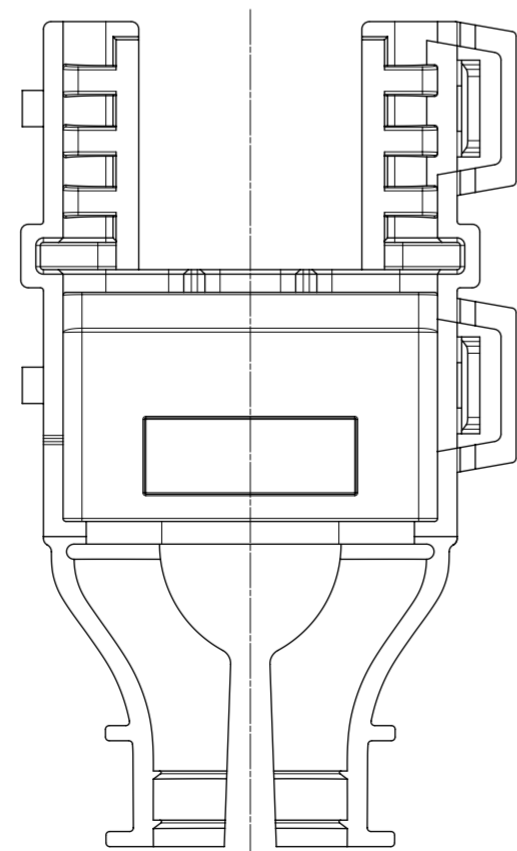
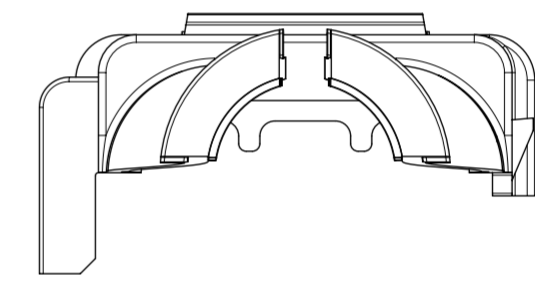
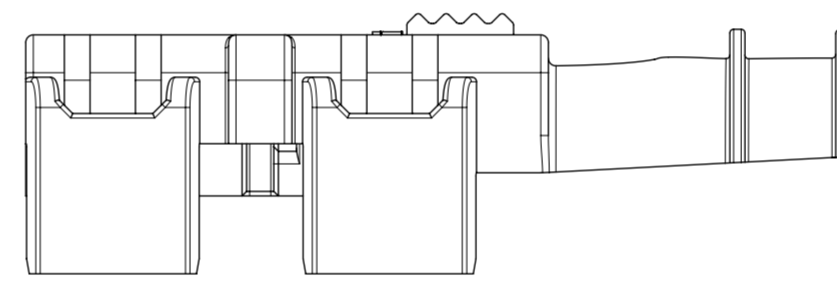
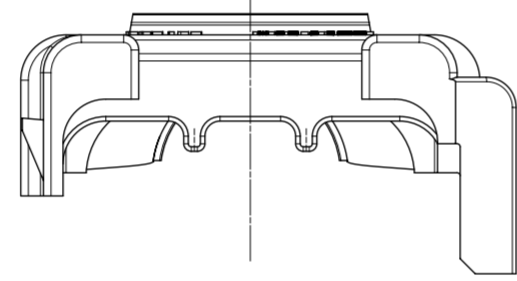
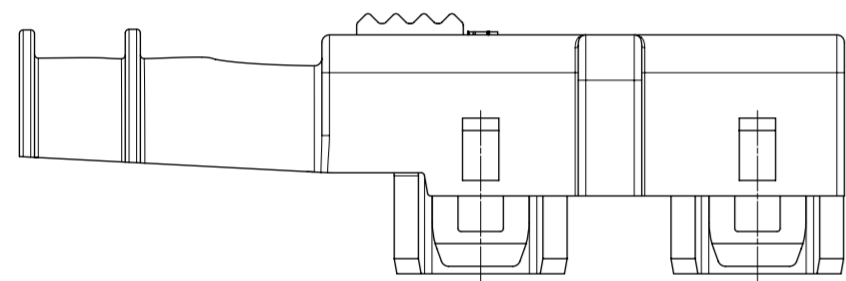
Address: A1208, Overseas Decoration Building, #122 Zhenhua RD., Futian, Shenzhen, China





NOTES:

- BACKSHELL MATERIAL:
PEI, UL RATED 94V-0
COLOR: SEE LEGEND
- USE WITH PLUG/RECEPTACLE HOUSING SERIES (201840/201841)
- 2 PARTS SNAP INTO EACH OTHER WITH 201840/201841 SERIES PARTS IN AN ASSEMBLY
- PRODUCT SPECIFICATION: 2018400000-PS
- PACKAGING SPECIFICATION: 2018440000-PK
- COSMETIC SPECIFICATION PS-45499-002 CLASS B
- APPLICATION SPECIFICATION: 2018400000-AS

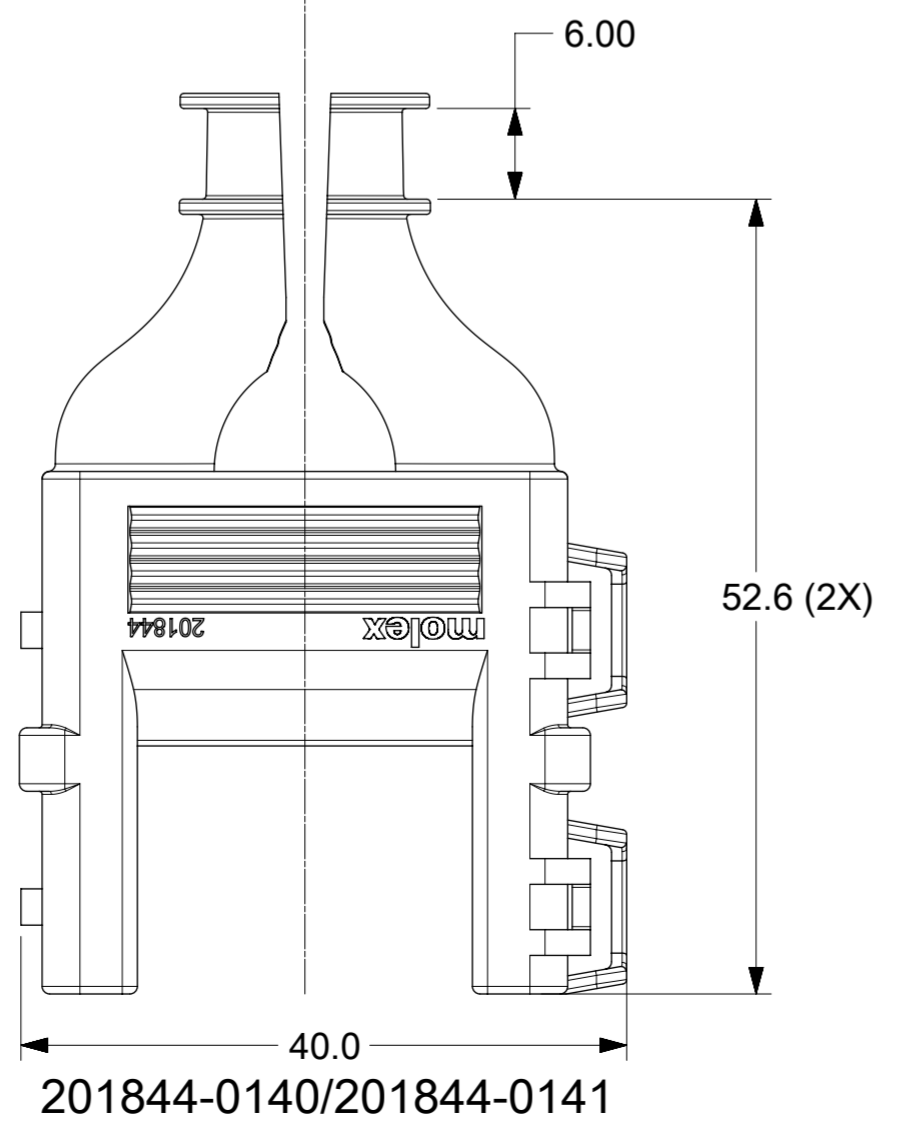
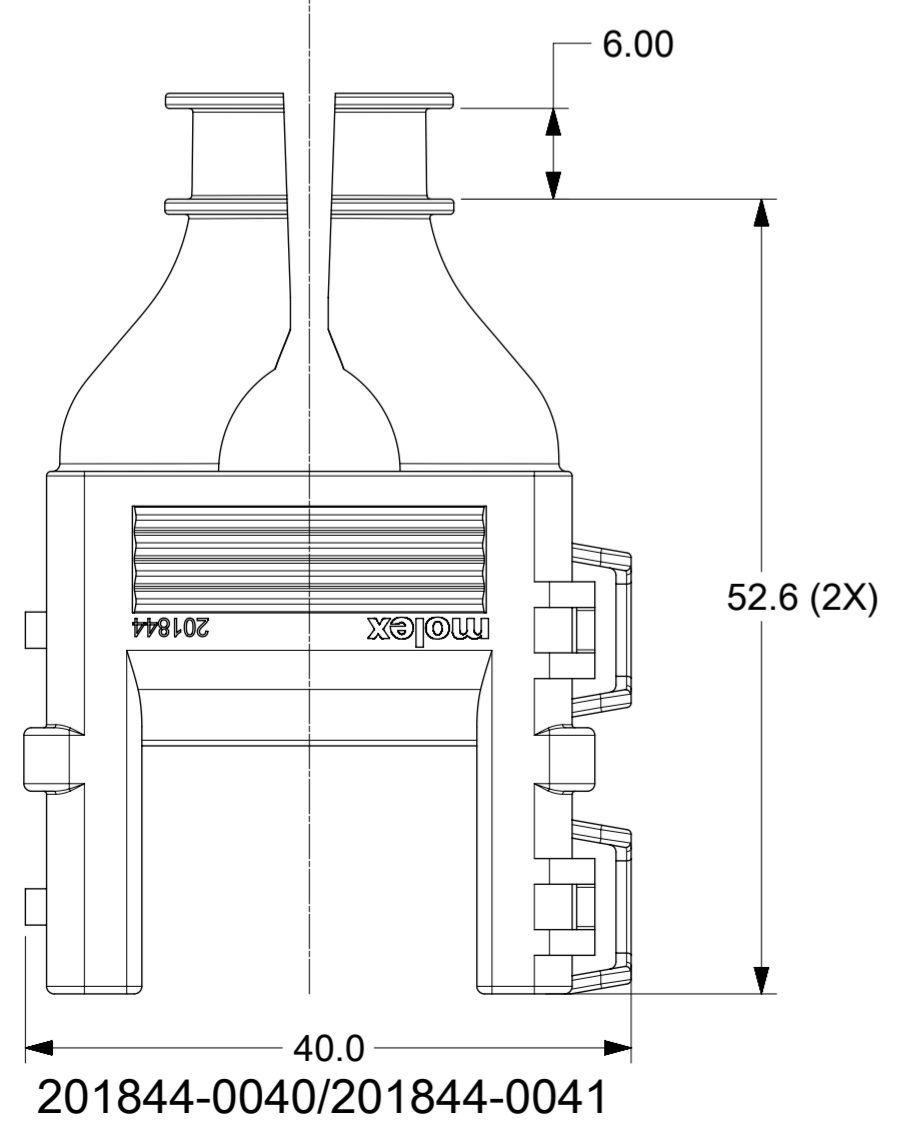
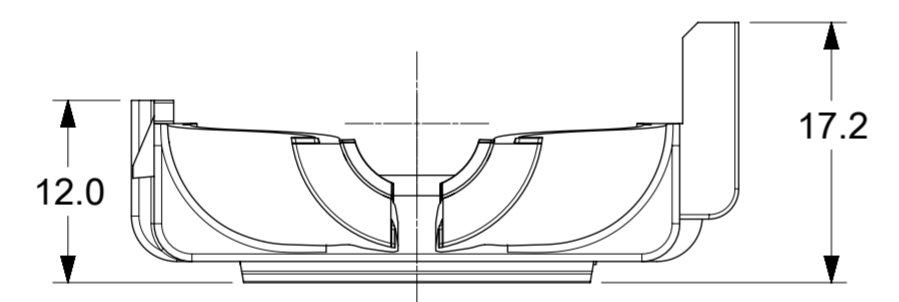
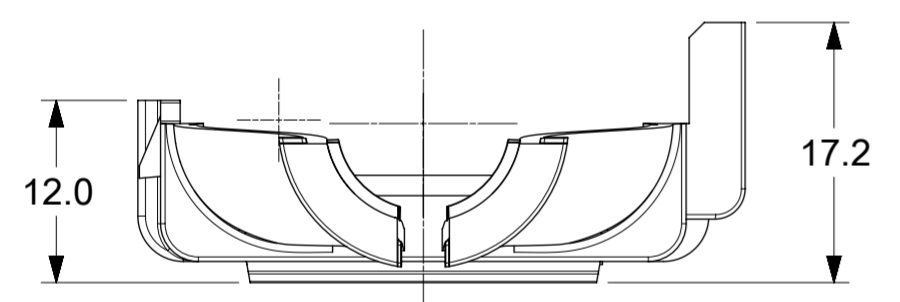
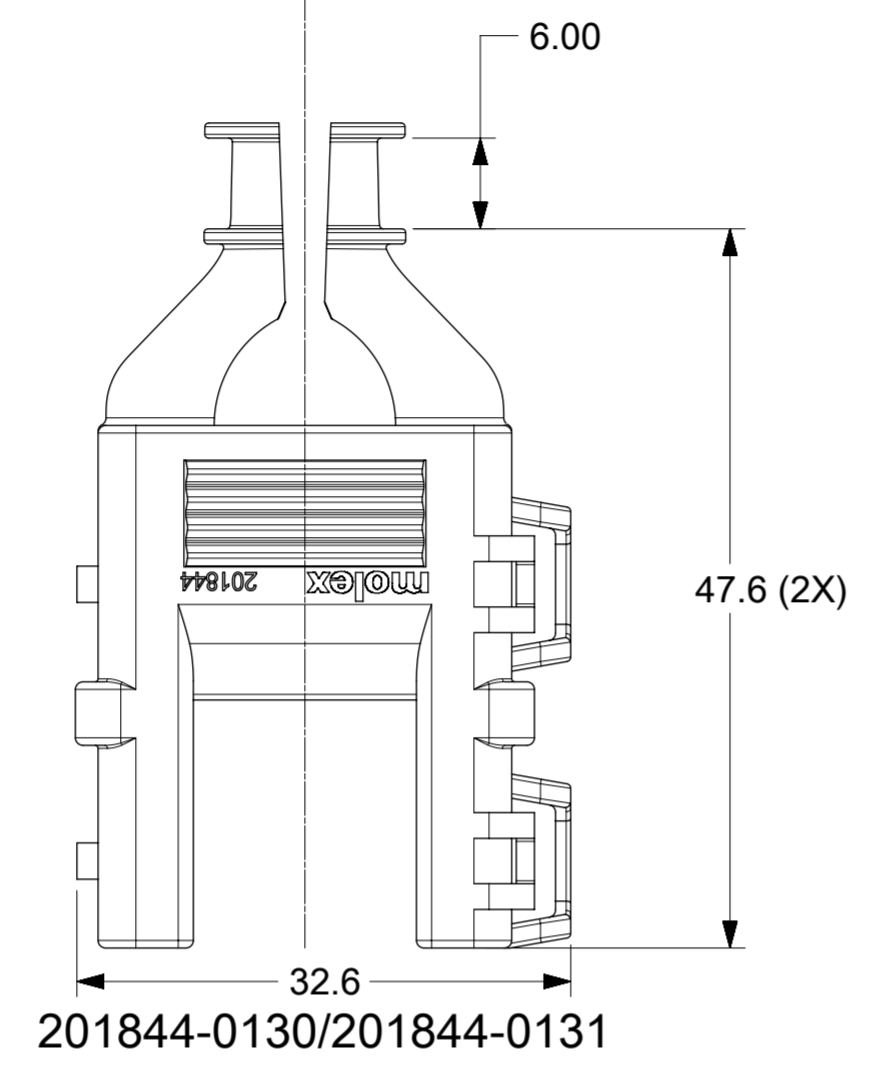
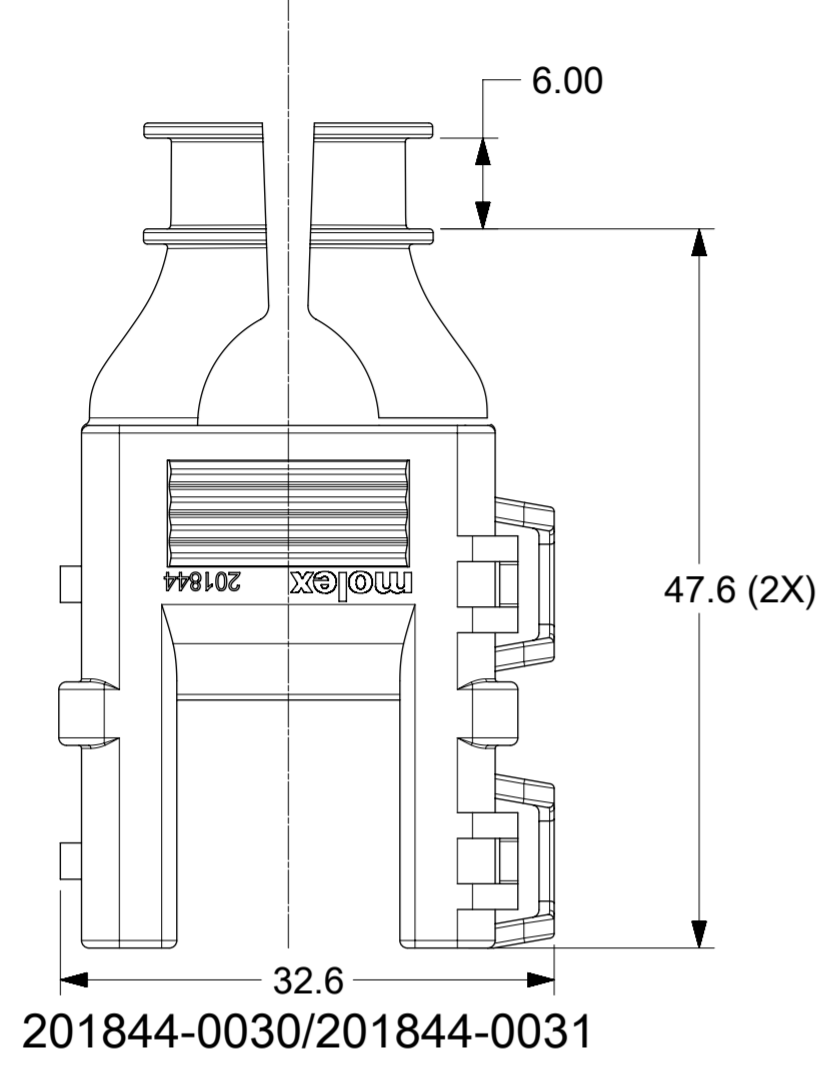
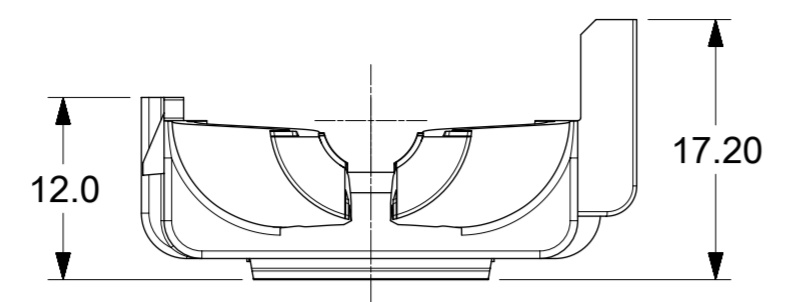
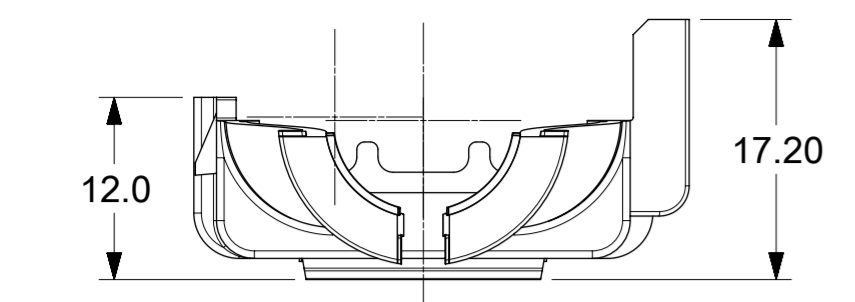


PN LEGEND

201844-0XXX

- COLOR (NOTE 1)
0 - BLACK
1 - GRAY
- CIRCUIT SIZE
3 - THREE CIRCUIT
4 - FOUR CIRCUIT
- CABLE SIZE
0 - 8 to 10 AWG
1 - 12 to 18 AWG

THIS DRAWING CONTAINS INFORMATION THAT IS PROPRIETARY TO MOLEX ELECTRONIC TECHNOLOGIES, LLC AND SHOULD NOT BE USED WITHOUT WRITTEN PERMISSION											
PRODUCTION RELEASE EC NO: 114425 DRWN: NCSR CHKD: REV / APPR: KPRASAD	2017/03/13	GENERAL TOLERANCES (UNLESS SPECIFIED)	DIMENSION UNITS	SCALE	molex MULTICAT BACKSHELL (WTW)						
	2017/03/16	ANGULAR TOL ± 0.5 °	MM	2:1							
	4 PLACES ±	DRWN BY	DATE		NCSR 2017/03/13						
	3 PLACES ±	CHK'D BY	DATE		PRODUCT CUSTOMER DRAWING						
	2 PLACES ± 0.25	APPR BY	DATE		SERIES	MATERIAL NUMBER	CUSTOMER				
1 PLACE ± 0.4	KPRASAD	2017/03/16		201844	SEE SHEET 2	GENERAL MARKET					
0 PLACES ±	DRAWING SIZE	THIRD ANGLE PROJECTION		DOCUMENT NUMBER	DOC TYPE	DOC PART	SHEET NUMBER				
DRAFT WHERE APPLICABLE MUST REMAIN WITHIN DIMENSIONS	A2			2018440000-SD	PSD	000	1 OF 2				



THIS DRAWING CONTAINS INFORMATION THAT IS PROPRIETARY TO MOLEX ELECTRONIC TECHNOLOGIES, LLC AND SHOULD NOT BE USED WITHOUT WRITTEN PERMISSION											
PRODUCTION RELEASE EC NO: 114425 DRWN: NCSR CHKD: REV / APPR: KPRASAD	2017/03/13	2017/03/16	GENERAL TOLERANCES (UNLESS SPECIFIED)	DIMENSION UNITS	SCALE	molex [®]					
			ANGULAR TOL ± 0.5 °	MM	2:1						
	4 PLACES ±			DRWN BY	DATE	MULTICAT BACKSHELL (WTW)					
	3 PLACES ±			NCSR	2017/03/13						
	2 PLACES ± 0.25			CHK'D BY	DATE	PRODUCT CUSTOMER DRAWING					
	1 PLACE ± 0.4			APPR BY	DATE						
0 PLACES ±			KPRASAD	2017/03/16	SERIES	MATERIAL NUMBER	CUSTOMER				
DRAFT WHERE APPLICABLE MUST REMAIN WITHIN DIMENSIONS			DRAWING SIZE	THIRD ANGLE PROJECTION	201844	SEE SHEET 2	GENERAL MARKET				
A			A2		DOCUMENT NUMBER	DOC TYPE	DOC PART	SHEET NUMBER			
					2018440000-SD	PSD	000	2 OF 2			