



Chipsmall Limited consists of a professional team with an average of over 10 year of expertise in the distribution of electronic components. Based in Hongkong, we have already established firm and mutual-benefit business relationships with customers from,Europe,America and south Asia,supplying obsolete and hard-to-find components to meet their specific needs.

With the principle of “Quality Parts,Customers Priority,Honest Operation,and Considerate Service”,our business mainly focus on the distribution of electronic components. Line cards we deal with include Microchip,ALPS,ROHM,Xilinx,Pulse,ON,Everlight and Freescale. Main products comprise IC,Modules,Potentiometer,IC Socket,Relay,Connector.Our parts cover such applications as commercial,industrial, and automotives areas.

We are looking forward to setting up business relationship with you and hope to provide you with the best service and solution. Let us make a better world for our industry!



Contact us

Tel: +86-755-8981 8866 Fax: +86-755-8427 6832

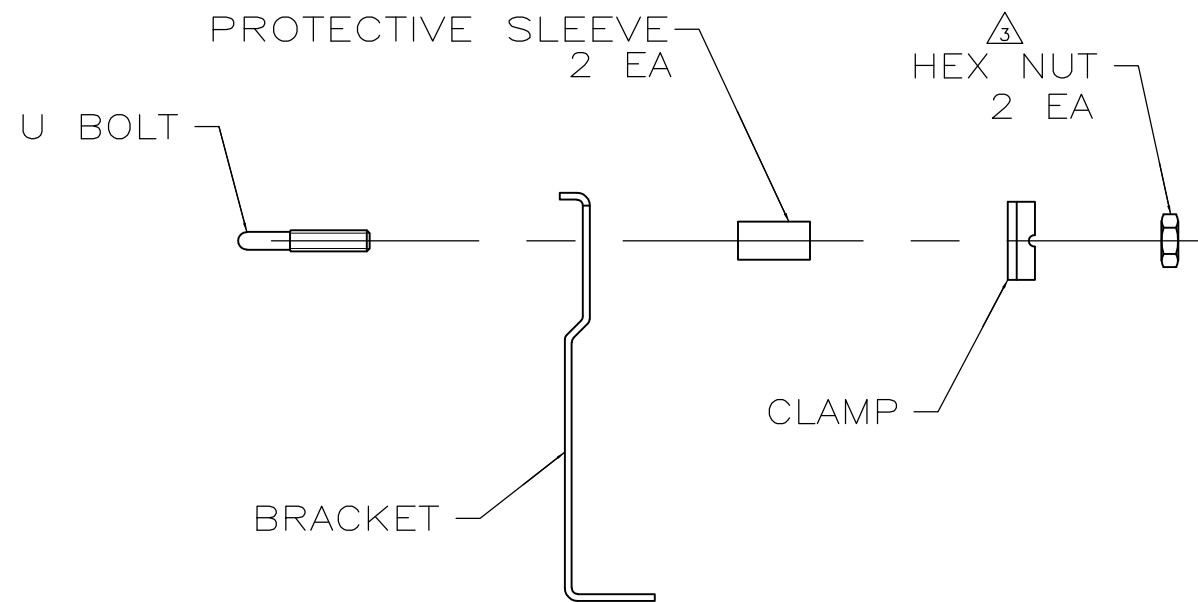
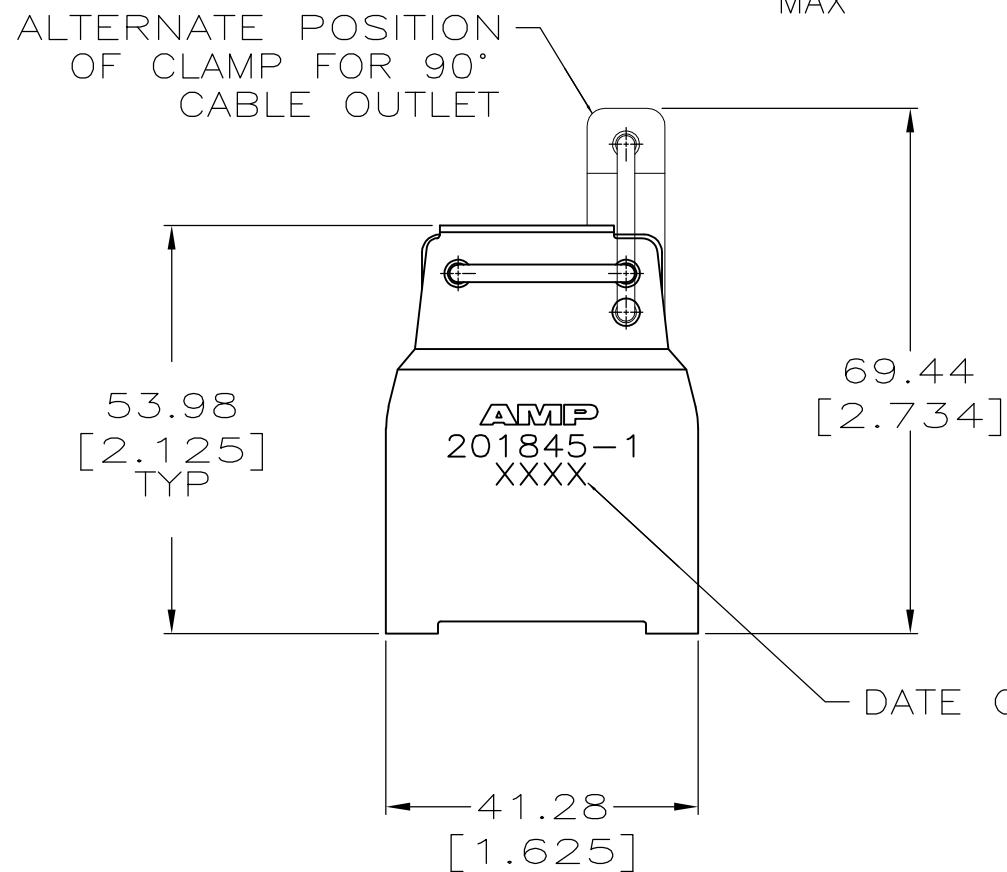
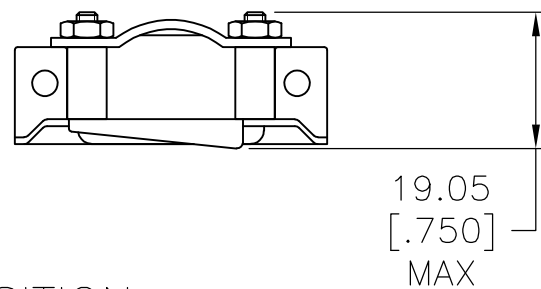
Email & Skype: info@chipsmall.com Web: www.chipsmall.com

Address: A1208, Overseas Decoration Building, #122 Zhenhua RD., Futian, Shenzhen, China



THIS DRAWING IS UNPUBLISHED. RELEASED FOR PUBLICATION
 © COPYRIGHT BY TYCO ELECTRONICS CORPORATION. ALL RIGHTS RESERVED.

LOC	DIST	REVISIONS			
P	LTR	DESCRIPTION	DATE	DWN	APVD
FT	0	E	REVISED PER ECO-08-031035	15DEC08	HMR GS



- 1 U BOLT: STAINLESS STEEL.
BRACKET, CLAMP & HEX NUT: CARBON STEEL.
PROTECTIVE SLEEVE: POLYVINYL CHLORIDE.
- 2 U BOLT: PASSIVATED.
BRACKET & CLAMP: 5.08um[.000200] MIN NICKEL PLATED.
- 3 ZINC PLATED.

201845-2
201845-1
PART NUMBER

ASSEMBLED VIEW

THIS DRAWING IS A CONTROLLED DOCUMENT.		DWN C.REIFSNYDER 29 AUG 95	Tyco Electronics Corporation Harrisburg, Pa 17105-3608		
DIMENSIONS: mm [INCHES]		CHK R.STONE 31 AUG 95	NAME CLAMP KIT, UNASSEMBLED, STRAIN RELIEF, 26 PLACE, M SERIES		
TOLERANCES UNLESS OTHERWISE SPECIFIED:		APVD G.STEINHAUER 05 OCT 95	PRODUCT SPEC	SIZE	CAGE CODE
0 PLC	± -	PRODUCT SPEC	—	A3	00779
1 PLC	± -	APPLICATION SPEC	—	DRAWING NO	G-201845
2 PLC	± 0.38[.015]	—	—	RESTRICTED TO	—
3 PLC	± -	—	—	SCALE	1:1
4 PLC	± -	—	—	SHEET	1 OF 1
ANGLES	± -	—	—	REV	E
MATERIAL	FINISH	WEIGHT	CUSTOMER DRAWING		
—	—	—	—		