



Chipsmall Limited consists of a professional team with an average of over 10 year of expertise in the distribution of electronic components. Based in Hongkong, we have already established firm and mutual-benefit business relationships with customers from,Europe,America and south Asia,supplying obsolete and hard-to-find components to meet their specific needs.

With the principle of “Quality Parts,Customers Priority,Honest Operation,and Considerate Service”,our business mainly focus on the distribution of electronic components. Line cards we deal with include Microchip,ALPS,ROHM,Xilinx,Pulse,ON,Everlight and Freescale. Main products comprise IC,Modules,Potentiometer,IC Socket,Relay,Connector.Our parts cover such applications as commercial,industrial, and automotives areas.

We are looking forward to setting up business relationship with you and hope to provide you with the best service and solution. Let us make a better world for our industry!



Contact us

Tel: +86-755-8981 8866 Fax: +86-755-8427 6832

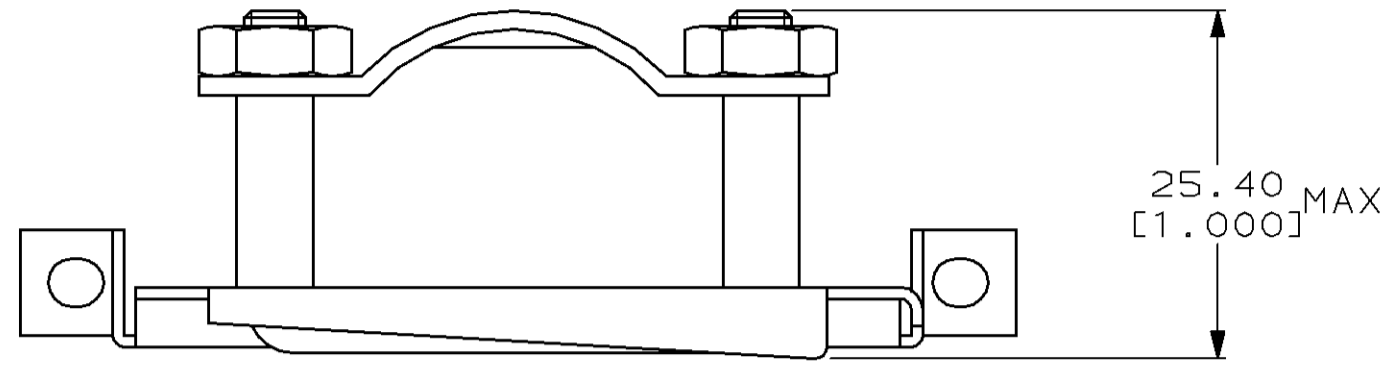
Email & Skype: info@chipsmall.com Web: www.chipsmall.com

Address: A1208, Overseas Decoration Building, #122 Zhenhua RD., Futian, Shenzhen, China

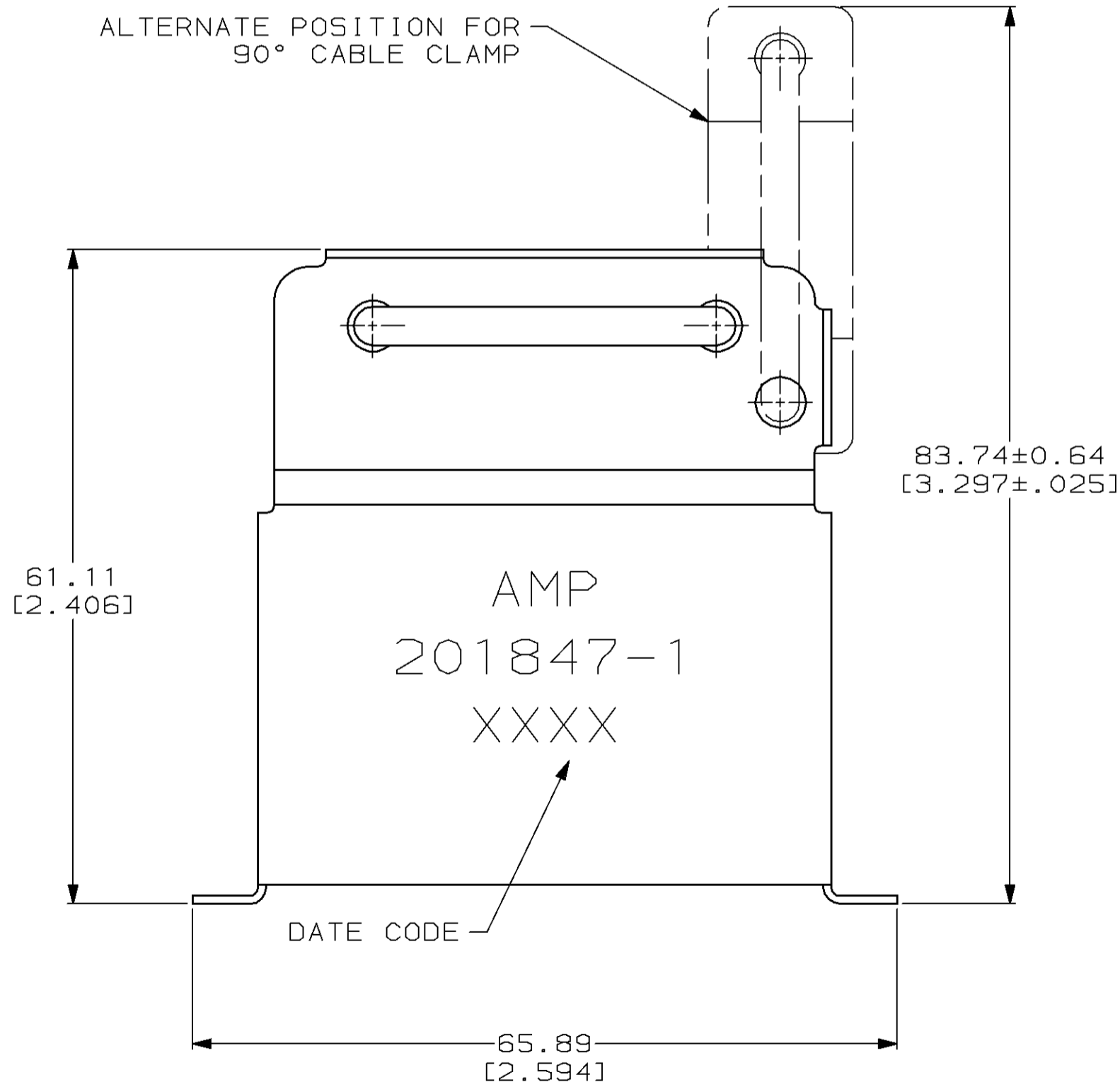


THIS DRAWING IS UNPUBLISHED. RELEASED FOR PUBLICATION
 BY AMP INCORPORATED. ALL RIGHTS RESERVED.

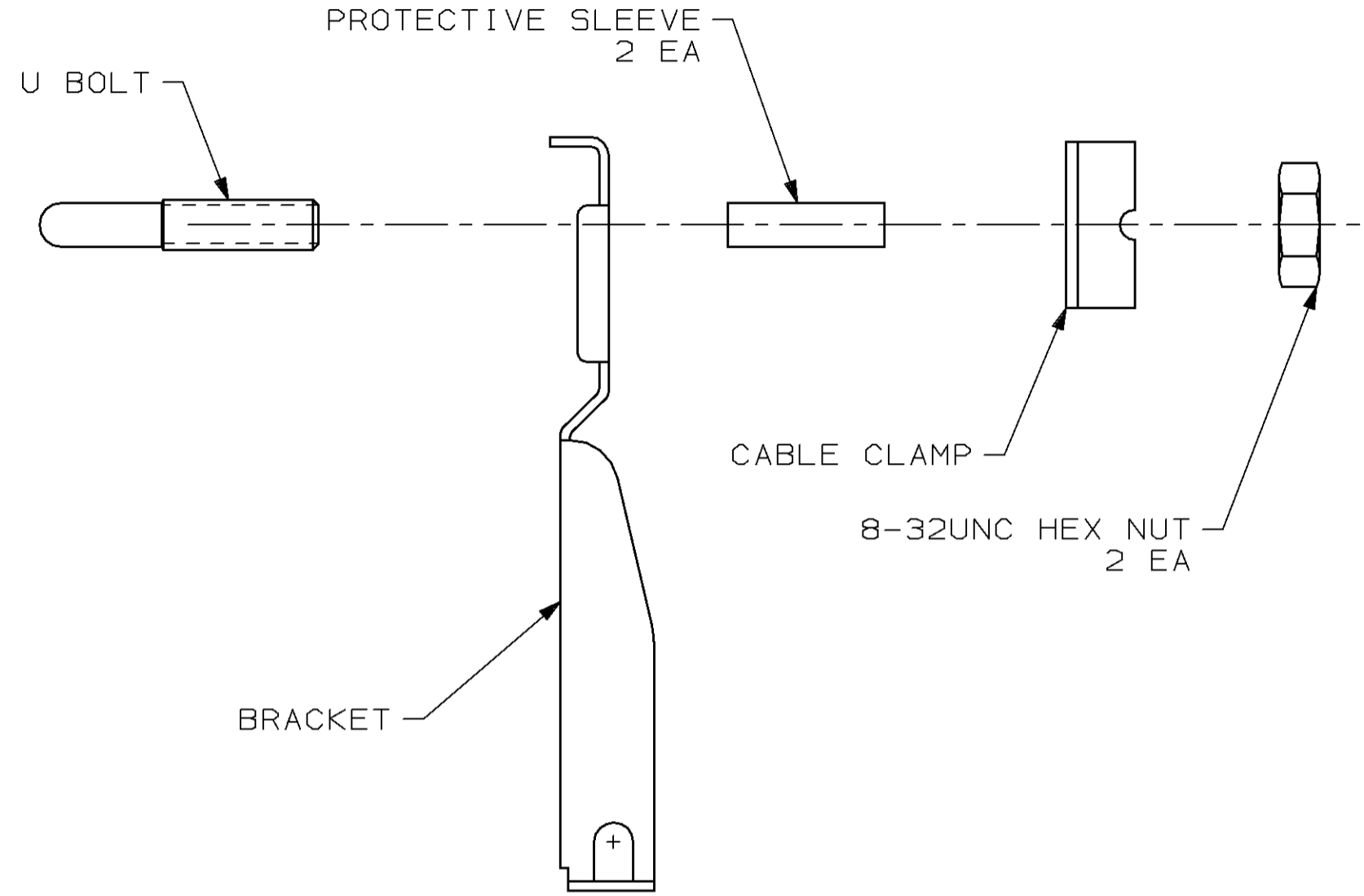
LOC	DIST	REVISIONS			
P	LTR	DESCRIPTION	DATE	DWN	APVD
BD	36				
P		REDRAWN PER EC 0020-1109-95	30 OCT 95	-	-



ALTERNATE POSITION FOR
90° CABLE CLAMP



ASSEMBLED VIEW



- ① BRACKET: STAINLESS STEEL PER QQ-S-766.
U BOLT: STAINLESS STEEL PER ASTM-A-582.
CABLE CLAMP AND HEX NUTS: CARBON STEEL.
PROTECTIVE SLEEVES: POLYVINYL CHLORIDE.
- ② U BOLT: PASSIVATED.
CABLE CLAMP: 5.08µm[.000200] MIN NICKEL.
HEX NUTS: ZINC PLATED PER ASTM-B-633.

201847-1
PART NUMBER

THIS DRAWING IS A CONTROLLED DOCUMENT FOR AMP INCORPORATED. IT IS SUBJECT TO CHANGE AND THE CONTROLLING ENGINEERING ORGANIZATION SHOULD BE CONTACTED FOR THE LATEST REVISION.		DWN C. REIFSNYDER 30 OCT 95	AMP Incorporated Harrisburg, PA 17105-3608
DIMENSIONS: mm [INCHES]		CHK R. STONE 02 NOV 95	
TOLERANCES UNLESS OTHERWISE SPECIFIED:		APVD G. A. STEINHAUER 02 NOV 95	NAME CLAMP KIT, UNASSEMBLED, 50 PLACE, STRAIN RELIEF, M SERIES
0 PLC ±- 1 PLC ±- 2 PLC ±0.38 [.015] 3 PLC ±- 4 PLC ±- ANGLES ±- FINISH		PRODUCT SPEC - APPLICATION SPEC - WEIGHT -	SIZE A2
MATERIAL ①		CAGE CODE 00779	DRAWING NO C-201847
		CUSTOMER DRAWING	SCALE 2:1 SHEET 1 OF 1 REV P