



Chipsmall Limited consists of a professional team with an average of over 10 year of expertise in the distribution of electronic components. Based in Hongkong, we have already established firm and mutual-benefit business relationships with customers from,Europe,America and south Asia,supplying obsolete and hard-to-find components to meet their specific needs.

With the principle of “Quality Parts,Customers Priority,Honest Operation,and Considerate Service”,our business mainly focus on the distribution of electronic components. Line cards we deal with include Microchip,ALPS,ROHM,Xilinx,Pulse,ON,Everlight and Freescale. Main products comprise IC,Modules,Potentiometer,IC Socket,Relay,Connector.Our parts cover such applications as commercial,industrial, and automotives areas.

We are looking forward to setting up business relationship with you and hope to provide you with the best service and solution. Let us make a better world for our industry!



## Contact us

Tel: +86-755-8981 8866 Fax: +86-755-8427 6832

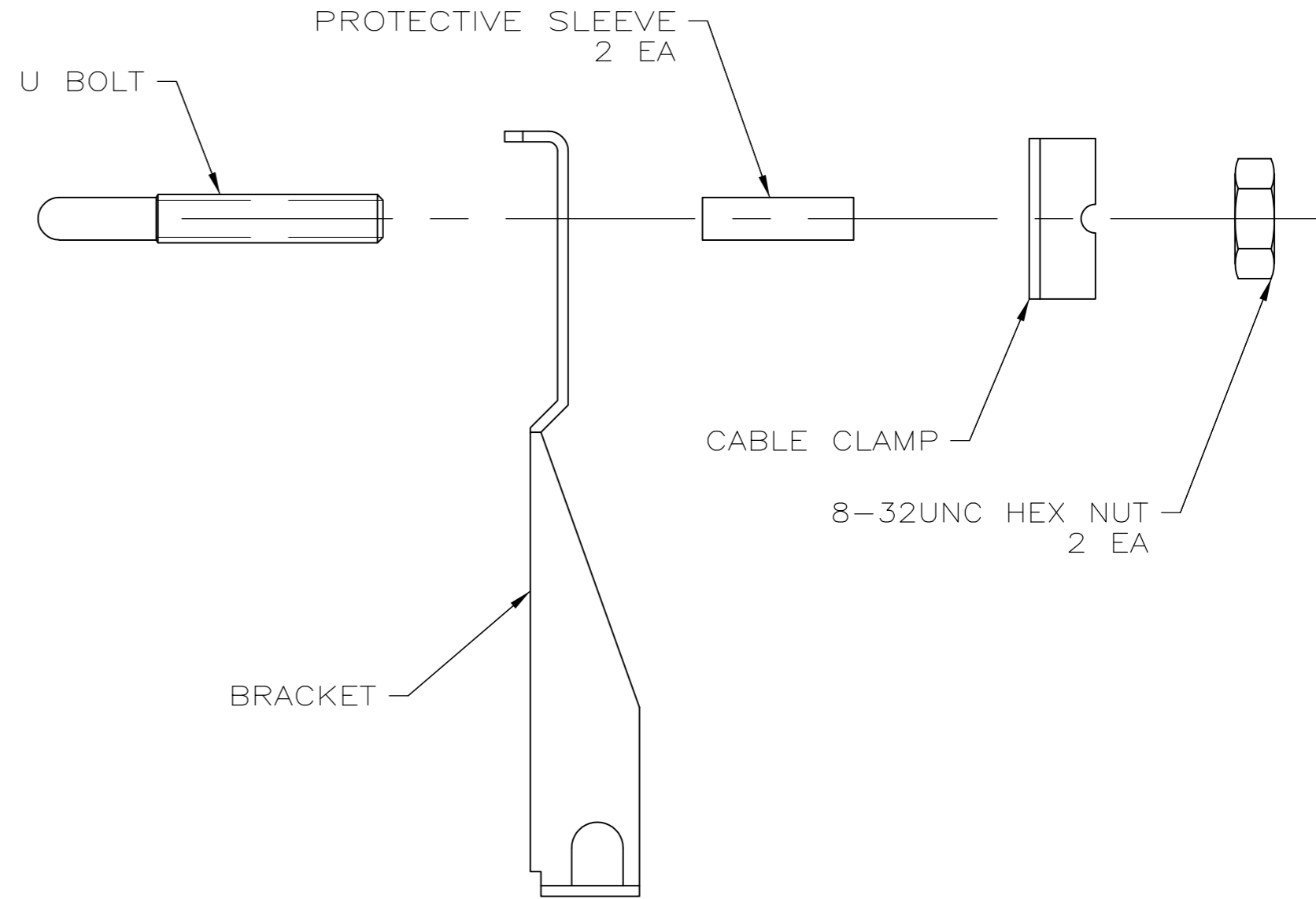
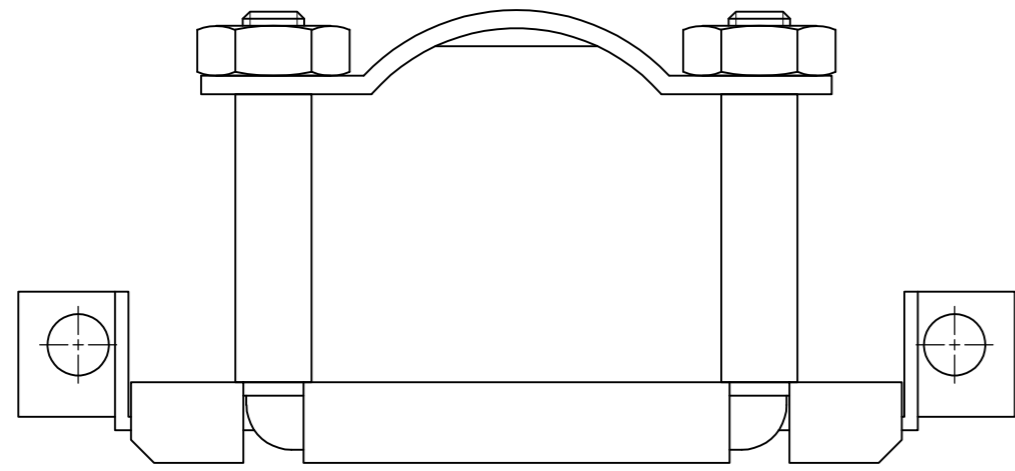
Email & Skype: info@chipsmall.com Web: www.chipsmall.com

Address: A1208, Overseas Decoration Building, #122 Zhenhua RD., Futian, Shenzhen, China

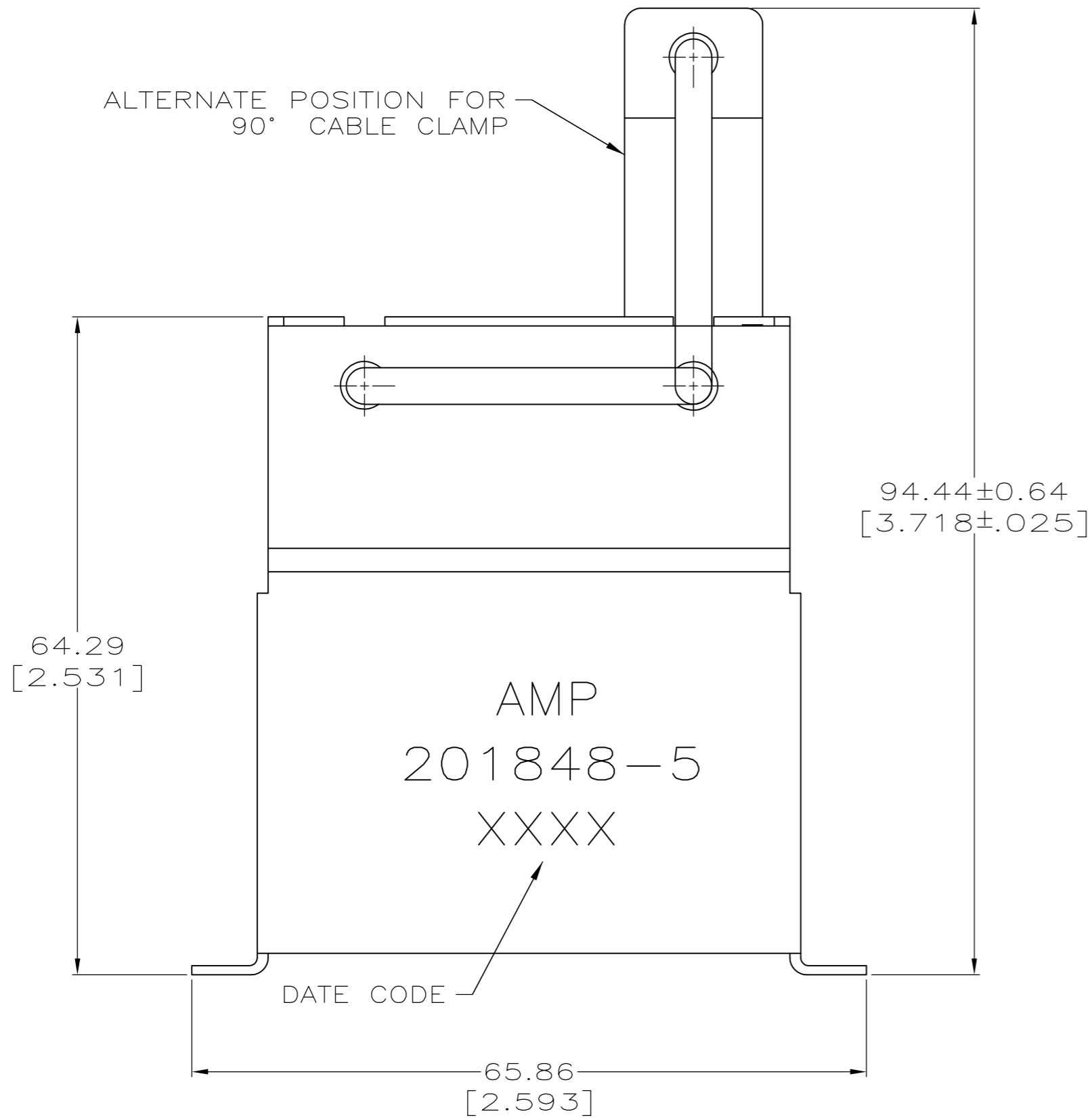


THIS DRAWING IS UNPUBLISHED. RELEASED FOR PUBLICATION  
 © COPYRIGHT BY TYCO ELECTRONICS CORPORATION. ALL INTERNATIONAL RIGHTS RESERVED.

LOC		DIST		REVISIONS			
P	LTR	DESCRIPTION		DATE	DWN	APVD	
FT	0	L	REVISED PER ECO-10-021995	12JAN11	HMR	MC	



ALTERNATE POSITION FOR  
90° CABLE CLAMP



ASSEMBLED VIEW

- 1 BRACKET & U BOLT: STAINLESS STEEL.  
CABLE CLAMP AND HEX NUTS: CARBON STEEL.  
PROTECTIVE SLEEVES: POLYVINYL CHLORIDE.
- 2 BRACKET & U BOLT: PASSIVATED.  
CABLE CLAMP: 5.08um[.000200] MIN NICKEL.

SUPERSEDED BY 201848-5	201848-5
	201848-1
PART NUMBER	

THIS DRAWING IS A CONTROLLED DOCUMENT.		DWN C.REIFSNYDER 31 OCT 95	Tyco Electronics Corporation Harrisburg, PA 17105-3608	
DIMENSIONS: mm [INCHES]		CHK R.STONE 02 NOV 95	NAME CLAMP KIT, UNASSEMBLED, 75 PLACE, STRAIN RELIEF, M SERIES	
TOLERANCES UNLESS OTHERWISE SPECIFIED:		APVD G.A.STEINHAUER 02 NOV 95	SIZE A2	CAGE CODE 00779
0 PLC ± - 1 PLC ± - 2 PLC ± 0.38[.015] 3 PLC ± - 4 PLC ± - ANGLES ± -		PRODUCT SPEC APPLICATION SPEC	DRAWING NO C=201848	RESTRICTED TO -
MATERIAL -	FINISH -	WEIGHT -	SCALE 2:1	SHEET 1 of 1
CUSTOMER DRAWING			REV L	