



Chipsmall Limited consists of a professional team with an average of over 10 year of expertise in the distribution of electronic components. Based in Hongkong, we have already established firm and mutual-benefit business relationships with customers from,Europe,America and south Asia,supplying obsolete and hard-to-find components to meet their specific needs.

With the principle of “Quality Parts,Customers Priority,Honest Operation,and Considerate Service”,our business mainly focus on the distribution of electronic components. Line cards we deal with include Microchip,ALPS,ROHM,Xilinx,Pulse,ON,Everlight and Freescale. Main products comprise IC,Modules,Potentiometer,IC Socket,Relay,Connector.Our parts cover such applications as commercial,industrial, and automotives areas.

We are looking forward to setting up business relationship with you and hope to provide you with the best service and solution. Let us make a better world for our industry!



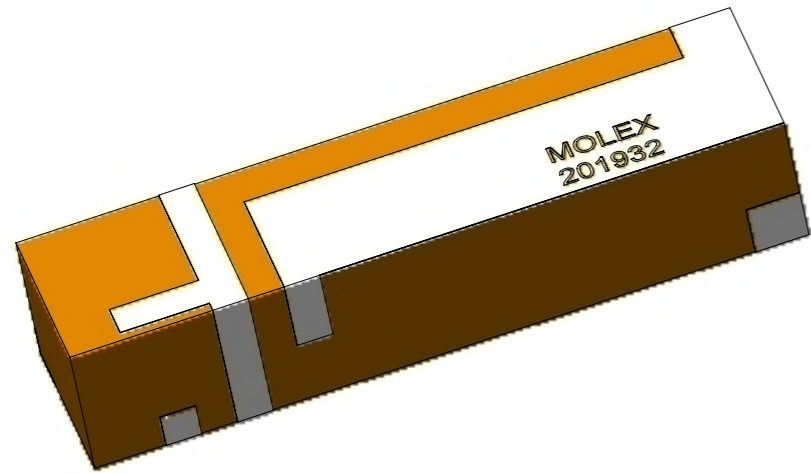
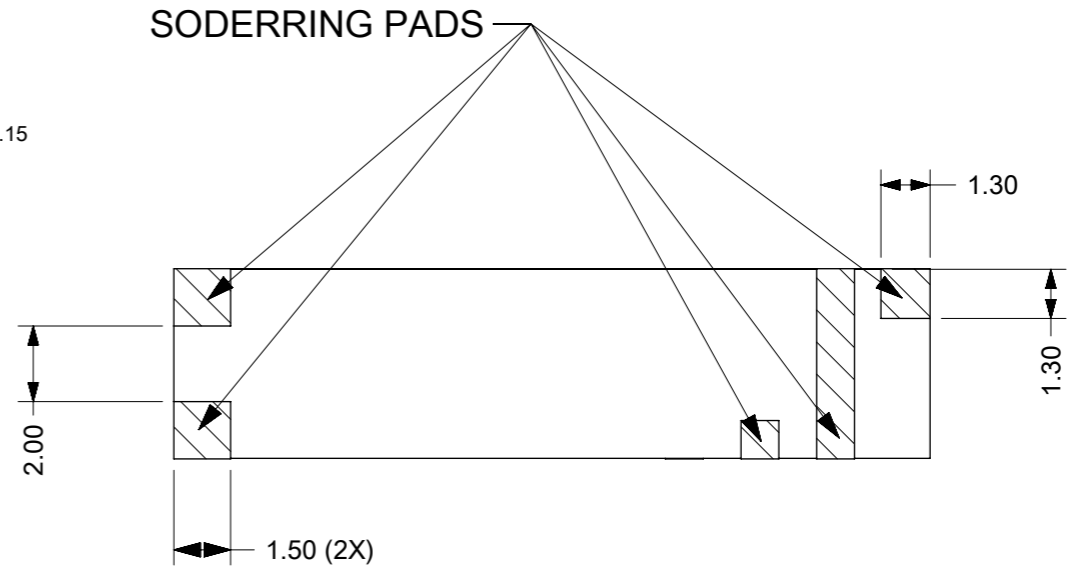
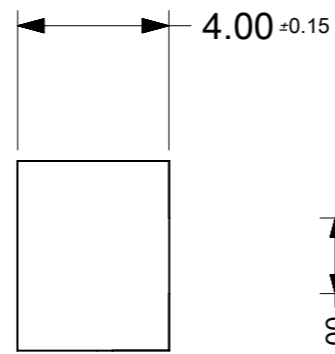
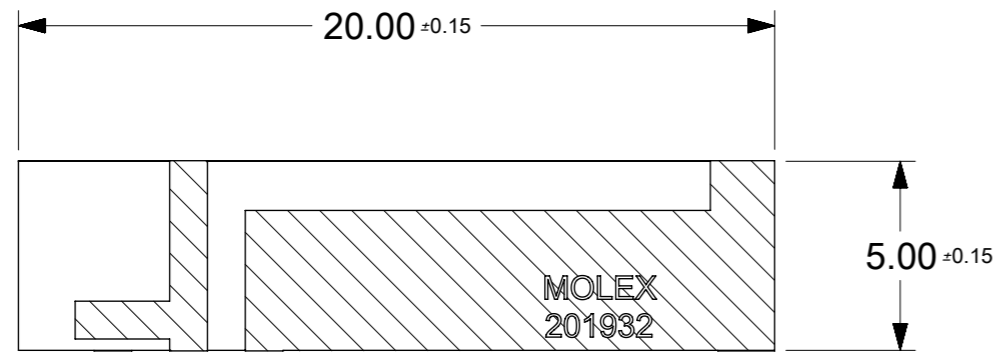
## Contact us

Tel: +86-755-8981 8866 Fax: +86-755-8427 6832

Email & Skype: info@chipsmall.com Web: www.chipsmall.com

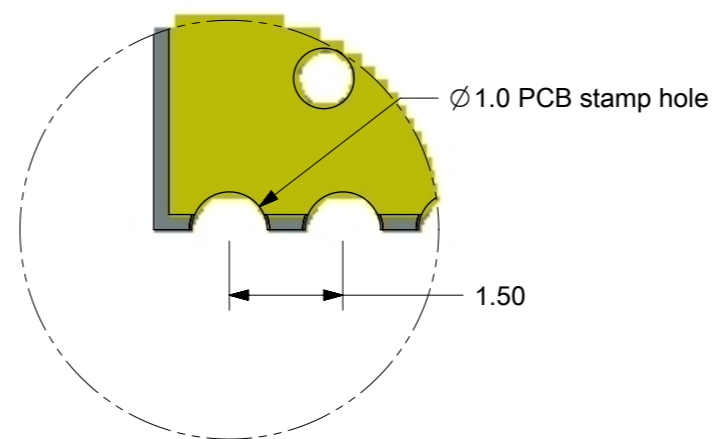
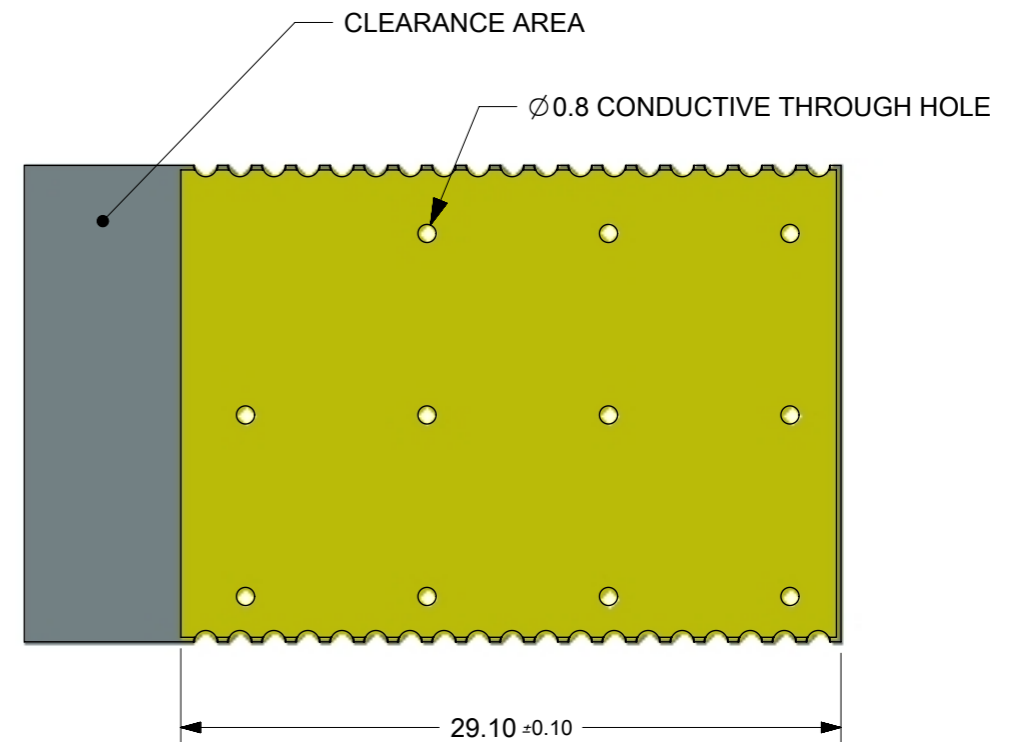
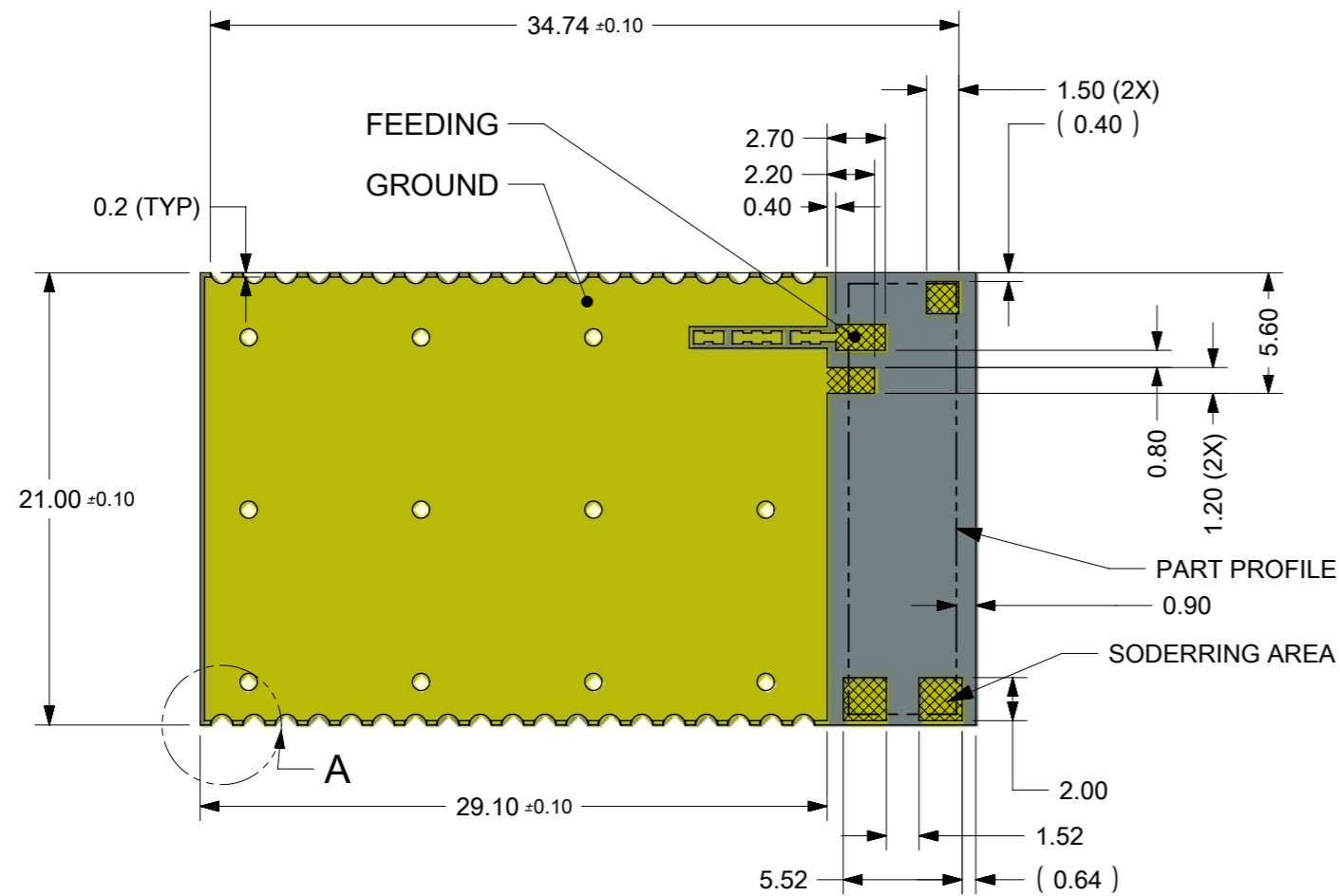
Address: A1208, Overseas Decoration Building, #122 Zhenhua RD., Futian, Shenzhen, China





- NOTES:
- 1.MATERIAL: CERAMIC
  - 2.PLATING: Ag 11um +/-4um
  - 3.PACKAGE SPEC. REFER TO PK OF 2019320001
  - 4.PRODUCT SPEC. REFER TO PS OF 2019320001
  - 5.APPLICATION SPEC. REFER TO AS OF 2019320001

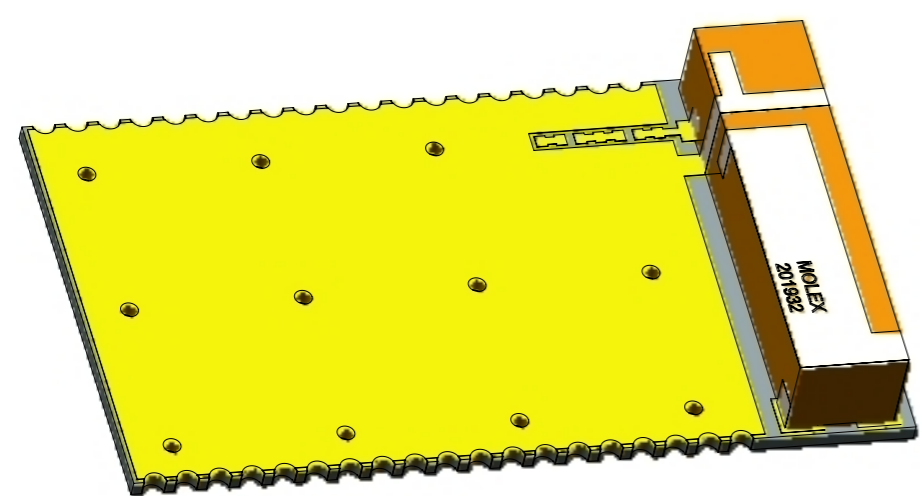
<b>QUALITY SYMBOLS</b> FA = 0 FE = 0 FP = 0 TV = 0 CV = 0 X = 0 ■ = 0 V = 0	THIS DRAWING CONTAINS INFORMATION THAT IS PROPRIETARY TO MOLEX ELECTRONIC TECHNOLOGIES, LLC AND SHOULD NOT BE USED WITHOUT WRITTEN PERMISSION										
	2016/08/24	2017/06/09	GENERAL TOLERANCES (UNLESS SPECIFIED)		DIMENSION UNITS	SCALE					
	2017/06/09	2017/06/09	ANGULAR TOL ± °		MM						
	EC NO: 117699 DRWN: TZHOU07 CHK'D: YXGAO04 APPR: XJSONG	4 PLACES	±	DRWN BY		DATE		SD FOR TRIPLE BAND WIFI ANTENNA  PRODUCT CUSTOMER DRAWING  SERIES: 201932 MATERIAL NUMBER: 2019320001 CUSTOMER:  DOCUMENT NUMBER: 2019320001 DOC TYPE: PSD DOC PART: 000 SHEET NUMBER: 1 OF 2			
		3 PLACES	± 0.1	TZHOU07		2016/08/24					
		2 PLACES	± 0.2	CHK'D BY		DATE					
		1 PLACE	± 0.3	YXGAO04		2017/06/09					
		0 PLACES	±	APPR BY		DATE					
				XJSONG		2017/06/09					
		DRAFT WHERE APPLICABLE MUST REMAIN WITHIN DIMENSIONS		DRAWING SIZE	THIRD ANGLE PROJECTION						
			A3	<input checked="" type="checkbox"/>							



FRONT VIEW  
 RECOMMENDED PCB LAYOUT  
 THICKNESS 0.8mm  
 GENERAL PCB TOLERANCE ±0.05

BACK VIEW

DETAIL A  
 SCALE 10:1



THIS DRAWING CONTAINS INFORMATION THAT IS PROPRIETARY TO MOLEX ELECTRONIC TECHNOLOGIES, LLC AND SHOULD NOT BE USED WITHOUT WRITTEN PERMISSION											
QUALITY SYMBOLS	EC NO: 117699 DRWN: TZHOU07 CHK'D: YXGAO04 APPR: XJSONG	2016/08/24 2017/06/09 2017/06/09	GENERAL TOLERANCES (UNLESS SPECIFIED)		DIMENSION UNITS	SCALE					
			ANGULAR TOL ± °		MM						
FA = 0	DRAFT WHERE APPLICABLE MUST REMAIN WITHIN DIMENSIONS	A	4 PLACES ±		DRWN BY	DATE	SD FOR TRIPLE BAND WIFI ANTENNA				
FE = 0				TZHOU07	2016/08/24						
FP = 0				CHK'D BY	DATE	PRODUCT CUSTOMER DRAWING					
FV = 0				YXGAO04	2017/06/09						
GA = 0				APPR BY	DATE	SERIES	MATERIAL NUMBER	CUSTOMER			
GB = 0				XJSONG	2017/06/09	201932	2019320001				
GC = 0				DOCUMENT NUMBER	DOC TYPE	DOC PART	SHEET NUMBER				
GD = 0				2019320001	PSD	000	2 OF 2				
GE = 0											
GF = 0											