



Chipsmall Limited consists of a professional team with an average of over 10 year of expertise in the distribution of electronic components. Based in Hongkong, we have already established firm and mutual-benefit business relationships with customers from,Europe,America and south Asia,supplying obsolete and hard-to-find components to meet their specific needs.

With the principle of “Quality Parts,Customers Priority,Honest Operation,and Considerate Service”,our business mainly focus on the distribution of electronic components. Line cards we deal with include Microchip,ALPS,ROHM,Xilinx,Pulse,ON,Everlight and Freescale. Main products comprise IC,Modules,Potentiometer,IC Socket,Relay,Connector.Our parts cover such applications as commercial,industrial, and automotives areas.

We are looking forward to setting up business relationship with you and hope to provide you with the best service and solution. Let us make a better world for our industry!



Contact us

Tel: +86-755-8981 8866 Fax: +86-755-8427 6832

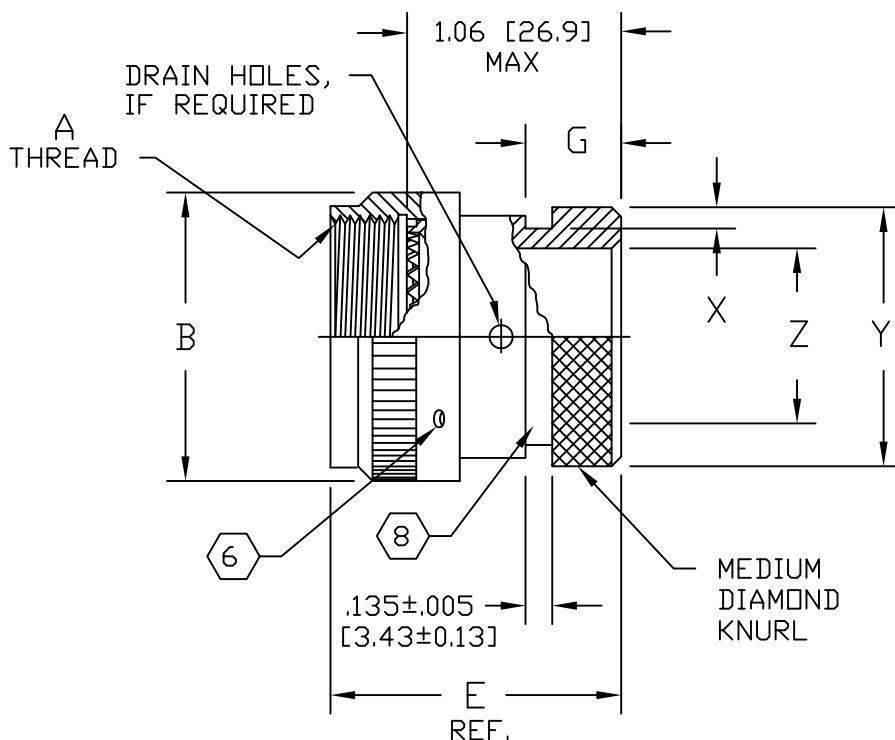
Email & Skype: info@chipsmall.com Web: www.chipsmall.com

Address: A1208, Overseas Decoration Building, #122 Zhenhua RD., Futian, Shenzhen, China



REVISIONS			
LTR	DESCRIPTION	DATE	APPROVED
J	REVISED PER ECN AD93014		
J1	REVISED PER ECN 0-12-011625	6/21/12	K. YEE

If this document is printed it becomes uncontrolled. Check for the latest revision




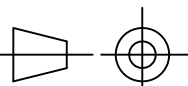
NOTES:

- THIS PRODUCT IS DESIGNED TO TERMINATE A HEAT SHRINKABLE LIPPED BOOT TO A CONNECTOR.
- FOR ADDITIONAL DIMENSIONS, ORDERING INFORMATION AND MODIFICATIONS, SEE CH00-0250-004.
- ADAPTER TO BE PERMANENTLY MARKED WITH CODE IDENT. NO. AND PART NO. (E.G.: 06090-201M112-19A).
- ADAPTER MATES TO MIL-C-81703, SERIES III, MS3424, MS3446, MS3464, MS3467, MS3468, CLASS E & L.
- ADAPTER MATES TO MIL-C-5015G, MS3400 SERIES, CLASS D, E, K, L, U & W; MS3400, MS3401, MS3404, MS3406, MS3450, MS3451, MS3454, MS3456, MS3470, MS3471, MS3472, MS3474, MS3475, MS3476. MIL-C-83723, SERIES II, CLASS A & L. MIL-C-83723, SERIES I & III, CLASS A, G, K, R & S; M83723/1, /2, /3, /4, /5, /6, /7, /8, /13, /14, /36, /37, /38, /39, /40, /41, /42, /43, /48, /49, /65, /66, /67, /68, /69, /70, /71, /72, /73, /74, /75, /76, /77, /78, /82, /83, /84, /85, /86, /87, /91, /92, /95, /97, /98, (MS3155 CONTROLLED INTERFACE).
- WHEN "L" MODIFICATION IS SPECIFIED, COUPLING NUT SHALL HAVE 3 LOCK WIRE HOLES, 120° APART. 120° APART.
- THIS PRODUCT IS A FUNCTIONAL EQUIVALENT OF MIL-C-85049/60-1.
- KNURL INSIDE BOOT GROOVE MAY BE SUPPLIED AT MANUFACTURER'S OPTION.

Raychem Adapters

CUSTOMER DRAWING

©2012 Tyco Electronics Corporation. All rights reserved.

UNLESS OTHERWISE SPECIFIED DIMENSIONS ARE IN INCHES. METRIC DIMENSIONS ARE IN BRACKETS.	DRAWN R. RAMIREZ	DATE 03-18-93	 TE Connectivity			
	CHECKED	DATE				
DIMENSIONING AND TOLERANCING PER ASME Y14.5M (ISO STANDARDS)	APPROVED W. C. GAY	DATE 05-19-93	TITLE ADAPTER, SPIN COUPLING CODE 54			
	APPROVED	DATE				
DECIMALS .XXX ± [mm] .XX ± [mm] .X ± [mm] ANGLES .X ±	CAD NAME 201M1XX_J1.dwg		SIZE A	CODE IDENT. NO. 06090	DWG. NO. 201M1XX	REV J1
	THIRD ANGLE PROJECTION 		DO NOT SCALE THIS DWG		SHEET 1 OF 2	

BASE PART NO.	SHELL SIZE		A THREAD CLASS 2B	B MAX DIA	Y	X	E REF. DIM	Z	G
	4	5			+0.00 -0.20 [+0.00] [-0.51] DIA	+0.008 -0.00 [+0.20] [-0.00] DIM		MIN DIA	MAX DIM
201M103	3		.562-24 UNEF	.669 [16.99]	.533 [13.54]	.044 [1.12]	1.125 [28.58]	.250 [6.35]	.425 [10.80]
201M108		8 & 8S	.500-20 UNF	.617 [15.67]	.533 [13.54]	↑	↑	.250 [6.35]	↑
201M110		10, 10S & 10SL	.625-24 UNEF	.734 [18.64]	.605 [15.37]	↑	↑	.355 [9.02]	↑
201M112	7	12 & 12S	.750-20 UNEF	.858 [21.79]	.774 [19.66]	↑	↑	.491 [12.47]	↑
201M114	12	14 & 14S	.875-20 UNEF	.984 [24.99]	.838 [21.29]	↑	↑	.565 [14.35]	↑
201M116	19	16 & 16S	1.000-20 UNEF	1.112 [28.24]	.963 [24.46]	↓	↑	.690 [17.53]	↑
201M118	27	18	1.062-18 UNEF	1.218 [30.94]	1.042 [26.47]	.044 [1.12]	↑	.769 [19.53]	↑
201M120	37	20	1.188-18 UNEF	1.345 [34.16]	1.217 [30.91]	.069 [1.75]	↑	.894 [22.71]	↑
201M122		22	1.312-18 UNEF	1.468 [37.29]	1.355 [34.42]	↑	↓	1.019 [25.88]	↑
201M124		24	1.438-18 UNEF	1.593 [40.46]	1.443 [36.65]	↓	1.125 [28.58]	1.134 [28.80]	↓
201M128		28	1.750-18 UNS	1.969 [50.01]	1.709 [43.41]	.069 [1.75]	1.287 [32.69]	1.369 [34.77]	.425 [10.80]
201M132		32	2.000-18 UNS	2.219 [56.36]	1.919 [48.74]	.086 [2.18]	1.449 [36.80]	1.615 [41.02]	.587 [14.91]
201M136		36	2.250-16 UN	2.469 [62.71]	2.169 [55.09]	↑	↑	1.830 [46.48]	↑
201M140		40	2.500-16 UN	2.719 [69.06]	2.402 [61.01]	↑	↑	2.045 [51.94]	↑
201M144		44	2.750-16 UN	2.969 [75.41]	2.657 [67.49]	↓	↓	2.300 [58.42]	↓
201M148		48	3.000-16 UN	3.219 [81.76]	2.907 [73.84]	.086 [2.18]	1.449 [36.80]	2.550 [64.77]	.587 [14.91]
201M161	61		1.500-18 UNEF	1.653 [41.99]	1.443 [36.65]	.069 [1.75]	1.125 [28.58]	1.174 [29.82]	.425 [10.80]

Raychem Adapters
CUSTOMER DRAWING

If this document is printed it becomes uncontrolled. Check for the latest revision

SIZE	CODE IDENT. NO.	DWG. NO.	REV
A	06090	201M1XX	J1
DO NOT SCALE THIS DWG	CAD NAME 201M1XX_J1.dwg	SHEET 2	OF 2