



Chipsmall Limited consists of a professional team with an average of over 10 year of expertise in the distribution of electronic components. Based in Hongkong, we have already established firm and mutual-benefit business relationships with customers from,Europe,America and south Asia,supplying obsolete and hard-to-find components to meet their specific needs.

With the principle of “Quality Parts,Customers Priority,Honest Operation,and Considerate Service”,our business mainly focus on the distribution of electronic components. Line cards we deal with include Microchip,ALPS,ROHM,Xilinx,Pulse,ON,Everlight and Freescale. Main products comprise IC,Modules,Potentiometer,IC Socket,Relay,Connector.Our parts cover such applications as commercial,industrial, and automotives areas.

We are looking forward to setting up business relationship with you and hope to provide you with the best service and solution. Let us make a better world for our industry!



Contact us

Tel: +86-755-8981 8866 Fax: +86-755-8427 6832

Email & Skype: info@chipsmall.com Web: www.chipsmall.com

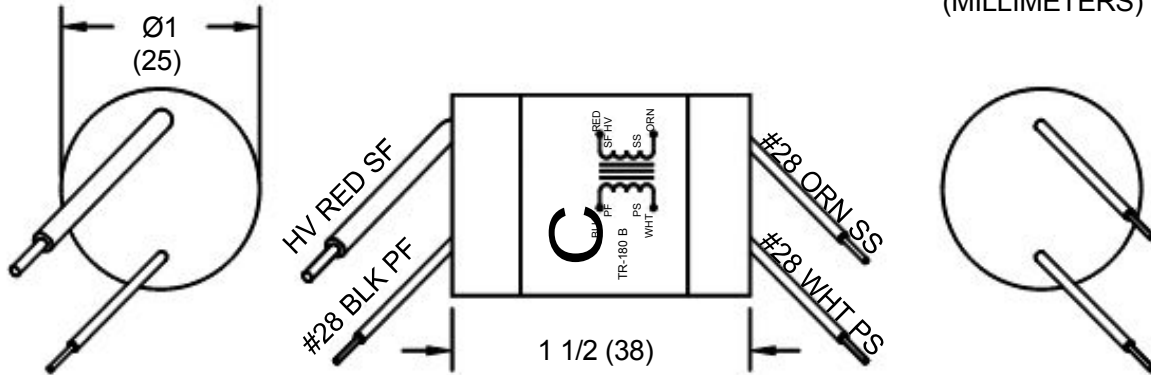
Address: A1208, Overseas Decoration Building, #122 Zhenhua RD., Futian, Shenzhen, China



TR-180B EXTERNAL TRIGGER TRANSFORMER

LEAD POSITIONS ARE APPROXIMATE

DIMENSIONS ARE IN INCHES
(MILLIMETERS)



WEIGHT = 0.15 LB

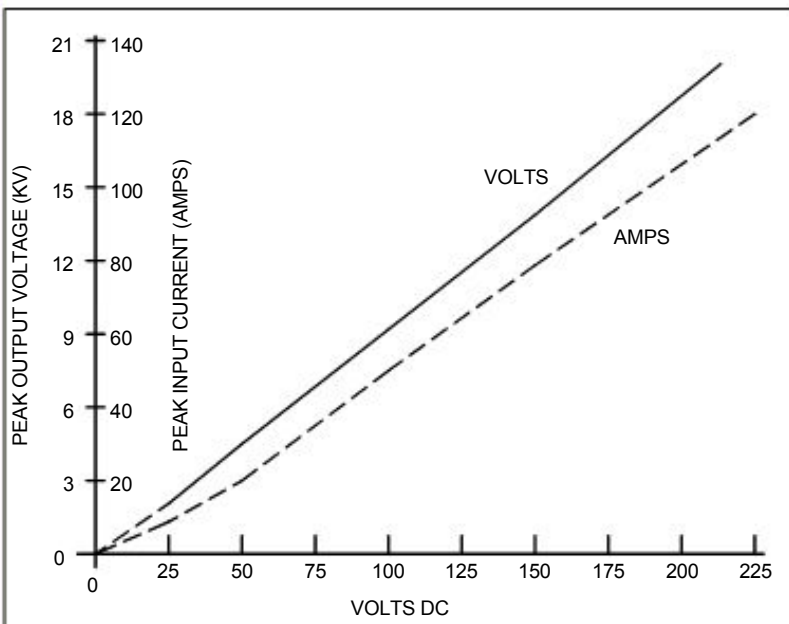
LEAD LENGTHS ARE 10" (254) MIN.

OUTLINE & MOUNTING DIMENSIONS

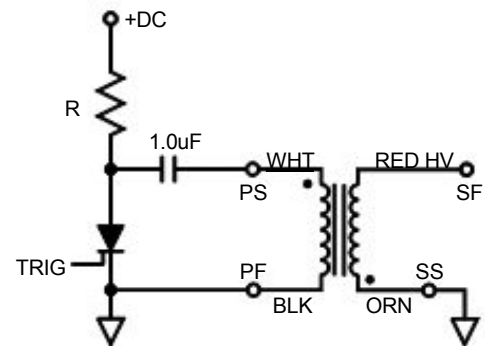
SPECIFICATIONS

Maximum DC input	200 Volts
Primary peak current	110 Amps
Turns ratio (secondary to primary)	112:1
Hold-off voltage (secondary to primary)	5 KV DC

Output voltage	20 KV
Rise time 10%-90%	1.0uSec max.
Pulse width 50% amplitude	1.5uSec min.



INPUT VS. OUTPUT



TYPICAL CIRCUIT

For more information email us at generalinquiries@excelitas.com or visit our website at www.excelitas.com

All values are nominal; specification subject to change without notice.

Worldwide Headquarters

Excelitas Technologies
44370 Christy Street
Fremont, CA 94538
Telephone: +1 510-979-6500
Toll Free (North America): +1 800-775-OPTO (6786)
Fax: +510-687-1140
generalinquiries@excelitas.com

Europe Headquarters
Excelitas Technologies
Wenzel-Jaksch-Str. 31
D-65199 Wiesbaden, Germany
Telephone: +49 611 492 430
Fax: +49 611 492 165

Asia Headquarters
Excelitas Technologies
47 Ayer Rajah Crescent #06-12
Singapore 139947
Telephone: +65 6770 2022
Fax: +65 6775 1008

EXCELITAS
TECHNOLOGIES