



Chipsmall Limited consists of a professional team with an average of over 10 year of expertise in the distribution of electronic components. Based in Hongkong, we have already established firm and mutual-benefit business relationships with customers from,Europe,America and south Asia,supplying obsolete and hard-to-find components to meet their specific needs.

With the principle of “Quality Parts,Customers Priority,Honest Operation,and Considerate Service”,our business mainly focus on the distribution of electronic components. Line cards we deal with include Microchip,ALPS,ROHM,Xilinx,Pulse,ON,Everlight and Freescale. Main products comprise IC,Modules,Potentiometer,IC Socket,Relay,Connector.Our parts cover such applications as commercial,industrial, and automotives areas.

We are looking forward to setting up business relationship with you and hope to provide you with the best service and solution. Let us make a better world for our industry!



Contact us

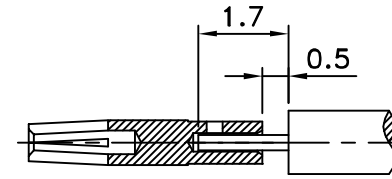
Tel: +86-755-8981 8866 Fax: +86-755-8427 6832

Email & Skype: info@chipsmall.com Web: www.chipsmall.com

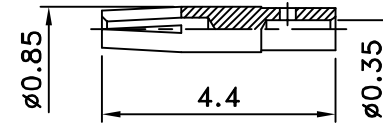
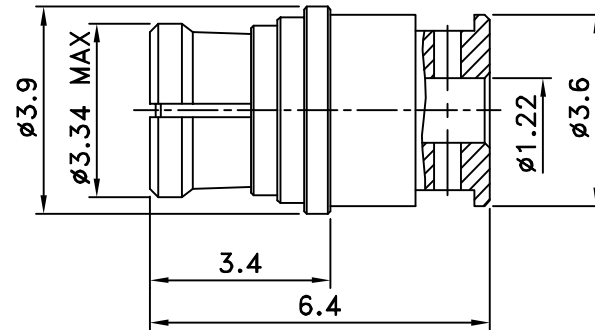
Address: A1208, Overseas Decoration Building, #122 Zhenhua RD., Futian, Shenzhen, China



REV	DESCRIPTION\PER REQUEST	DRAWN	DATE



RECOMMENDED
CABLE STRIPPING DIM'S



NOTES:FINISH (PLATING THICKNESS IN MICRO-INCHES)
 1.GOLD PL. 3 MIN. THICK OVER NICKEL PL. 70 MIN.
 THICK OVER COPPER STRIKE
 2.GOLD PL. 30 MIN. THICK OVER NICKEL PL. 70 MIN.
 THICK OVER COPPER STRIKE

Cable:.047"

4	Sleeve	1	Brass	NOTE 1	PART NO.	2020A504-047	* MAJOR DIMENSION			Bomar Interconnect Products, Inc	
3	Dielectric	1	Teflon	None	APPROVED	DATE	UNLESS OTHERWISE NOTED TOLERANCES	0.5-6=±0.2			TITLE
2	Pin	1	Beryllium	NOTE 2	CHECKED	DATE	6-30=±0.4	30-120=±0.6		SMP DIRECT SOLDER JACK	
1	Body	1	Beryllium	NOTE 1	DRAWN	DATE	120-315=±1.0	ANGLES=±1°		DRAWING NO.	
NO	Description	Q'ty	Material	Finish	Kai	09/28/12	SCALE	8/1	UNIT	mm	REV
FILE NO. W:\AS\ASSMP\ASSMP-43004-1-TGG Bomar->20120928											