



Chipsmall Limited consists of a professional team with an average of over 10 year of expertise in the distribution of electronic components. Based in Hongkong, we have already established firm and mutual-benefit business relationships with customers from,Europe,America and south Asia,supplying obsolete and hard-to-find components to meet their specific needs.

With the principle of “Quality Parts,Customers Priority,Honest Operation,and Considerate Service”,our business mainly focus on the distribution of electronic components. Line cards we deal with include Microchip,ALPS,ROHM,Xilinx,Pulse,ON,Everlight and Freescale. Main products comprise IC,Modules,Potentiometer,IC Socket,Relay,Connector.Our parts cover such applications as commercial,industrial, and automotives areas.

We are looking forward to setting up business relationship with you and hope to provide you with the best service and solution. Let us make a better world for our industry!



Contact us

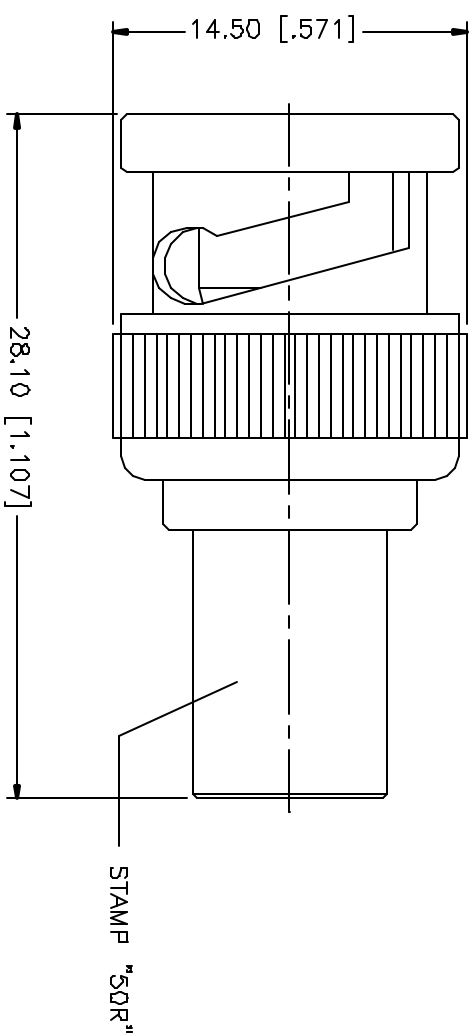
Tel: +86-755-8981 8866 Fax: +86-755-8427 6832

Email & Skype: info@chipsmall.com Web: www.chipsmall.com

Address: A1208, Overseas Decoration Building, #122 Zhenhua RD., Futian, Shenzhen, China



REV.	DATE	DESCRIPTION
A	05/23/05	UPDATE DRAWING FORMAT



NO.	DESCRIPTION	MATERIAL	FINISH	QTY	DD NOT SCALE DRAWING								
1	INSULATOR BODY	DELRIN BRASS	NATURAL NICKEL	1 1	<p>MASS TOLERANCE SPECIFIED IN DRAWING ARE UNLESS OTHERWISE SPECIFIED. ALL DIMENSIONS ARE IN MILLIMETERS AND TOLERANCES FOR MILLIMETERS ARE:</p> <p>0.5 - 30mm ± 0.20mm 30 - 120mm ± 0.50mm</p> <p>MASS TOLERANCE SPECIFIED IN DRAWING ARE UNLESS OTHERWISE SPECIFIED. ALL DIMENSIONS ARE IN MILLIMETERS AND TOLERANCES FOR MILLIMETERS ARE:</p> <p>.020 - .315 ± 0.007* .315 - 1.180 ± 0.015* 1.180 - 4.724 ± 0.020*</p>								
2	CONTACT PIN	BRASS	GOLD	1									
3	INSULATOR BODY	DELRIN	NATURAL	1									
4	INSULATOR BODY	BRASS	NICKEL	1									
5	INSULATOR BODY	DELRIN	NATURAL	1									
6	INSULATOR BODY	BRASS	NICKEL	1									
<p>APPROVALS</p> <table border="1"> <thead> <tr> <th>APPROVALS</th> <th>DATE</th> </tr> </thead> <tbody> <tr> <td>DRAWN G.R.S.</td> <td>05/23/05</td> </tr> <tr> <td>CHECKED</td> <td></td> </tr> <tr> <td>ISSUED</td> <td></td> </tr> </tbody> </table> <p>FILE C:/202/202105.DWG</p> <p>PART DESCRIPTION BNC TERMINATOR PLUG - 75ohm</p> <p>Amphenol Connex</p> <p>PART NO. 202105</p> <p>DWG. NO. 202105.DWG</p> <p>REV. A</p> <p>SITE A</p> <p>SCALE NA</p>						APPROVALS	DATE	DRAWN G.R.S.	05/23/05	CHECKED		ISSUED	
APPROVALS	DATE												
DRAWN G.R.S.	05/23/05												
CHECKED													
ISSUED													