



Chipsmall Limited consists of a professional team with an average of over 10 year of expertise in the distribution of electronic components. Based in Hongkong, we have already established firm and mutual-benefit business relationships with customers from,Europe,America and south Asia,supplying obsolete and hard-to-find components to meet their specific needs.

With the principle of “Quality Parts,Customers Priority,Honest Operation,and Considerate Service”,our business mainly focus on the distribution of electronic components. Line cards we deal with include Microchip,ALPS,ROHM,Xilinx,Pulse,ON,Everlight and Freescale. Main products comprise IC,Modules,Potentiometer,IC Socket,Relay,Connector.Our parts cover such applications as commercial,industrial, and automotives areas.

We are looking forward to setting up business relationship with you and hope to provide you with the best service and solution. Let us make a better world for our industry!



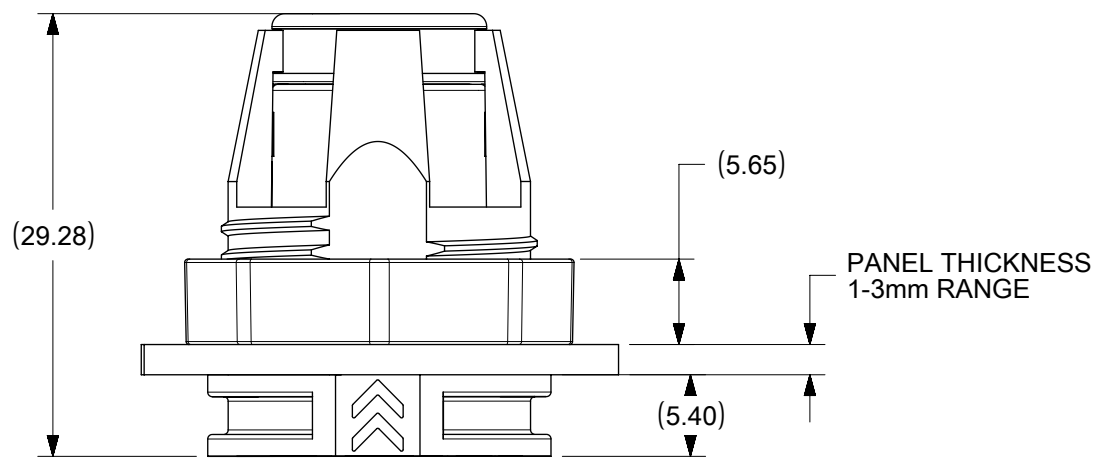
## Contact us

Tel: +86-755-8981 8866 Fax: +86-755-8427 6832

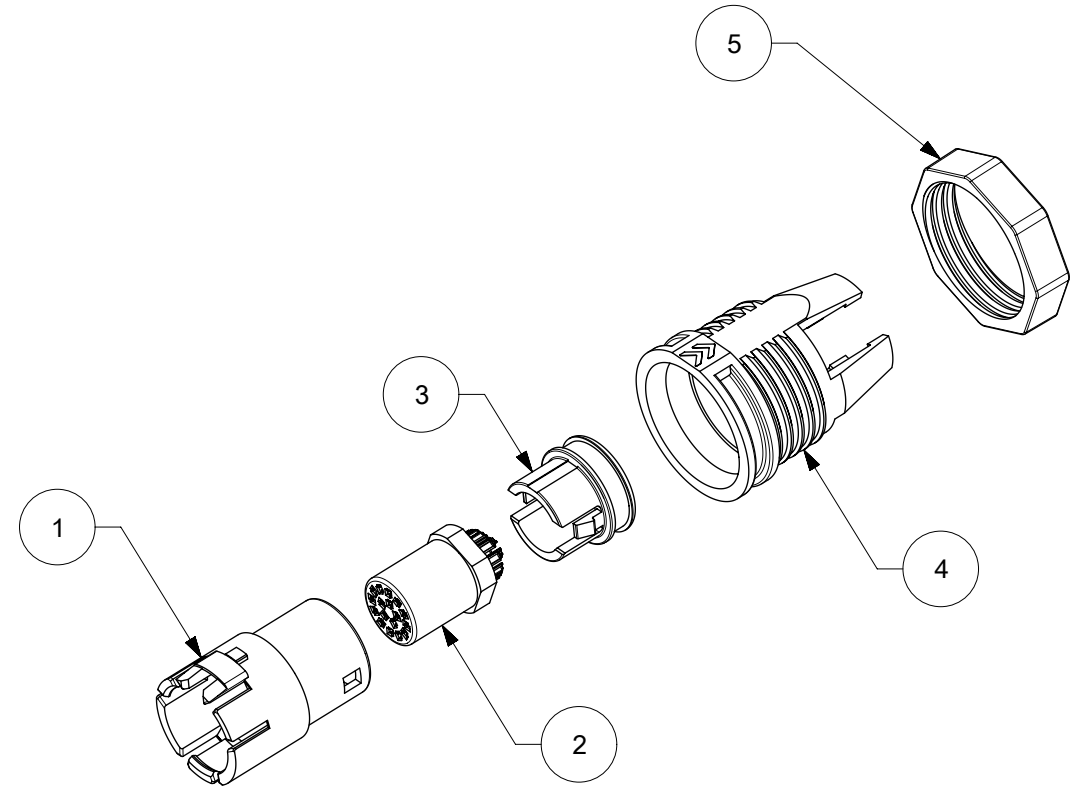
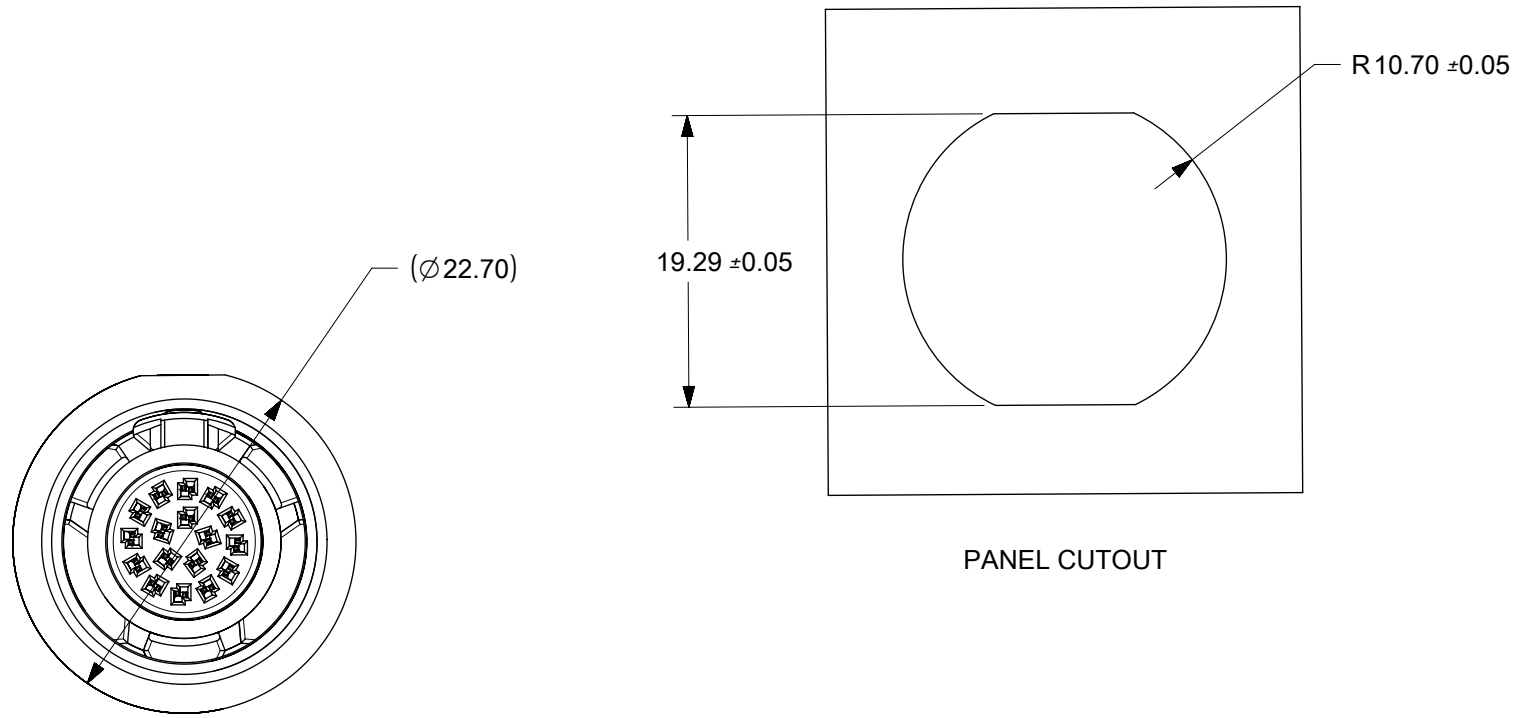
Email & Skype: info@chipsmall.com Web: www.chipsmall.com

Address: A1208, Overseas Decoration Building, #122 Zhenhua RD., Futian, Shenzhen, China





ITEM NUMBER	P/N	DESCRIPTION	QTY	SPQ
1	1723453010	MPC D2 FEMALE PANEL MOUNT HOUSING	1	10
2	1723442000	MPC D2 FEMALE RETAINER 17CKT	1	10
3	1723463000	MPC D2 FEMALE LOCK HOUSING	1	10
4	1723498001	MPC D2 PANEL SNAP HOUSING	1	10
5	1723496000	MPC D2 FEMALE PANEL NUT	1	10



- NOTES:
1. KIT TO BE PACKAGED PER SPEC PK-70873-3344
  2. MATERIAL, MEDICAL GRADE PPSU; COLOR, BLACK  
HIGH PERFORMANCE COPPER ALLOY WITHY GOLD PLATING IN MATING ZONE.
  3. MATES WITH KIT P/N 202112-1710 OR 202113-1710.
  4. FOR ASSEMBLY INFORMATION AND SPEC SEE APPLICATION SPEC AS-202110-0000.
  5. FOR FURTHER PRODUCT INFORMATION SEE PRODUCT SPEC PS-202110-0000

THIS DRAWING CONTAINS INFORMATION THAT IS PROPRIETARY TO MOLEX ELECTRONIC TECHNOLOGIES, LLC AND SHOULD NOT BE USED WITHOUT WRITTEN PERMISSION

EC NO: 114244 DRWN: JJONIAK CHKD: APPR: BPISZCZOR	2017/03/07	GENERAL TOLERANCES (UNLESS SPECIFIED)  ANGULAR TOL ± ° 4 PLACES ± 3 PLACES ± 2 PLACES ± 1 PLACE ± 0 PLACES ±  DRAFT WHERE APPLICABLE MUST REMAIN WITHIN DIMENSIONS	DIMENSION UNITS	SCALE						
	2017/03/14		MM	2:1						
	A		REV	B	DRWN BY	DATE	MPC D2 FEMALE 17CKT PANEL MOUNT ASSY KIT			
					JJONIAK	2017/03/07				
			CHK'D BY	DATE	PRODUCT CUSTOMER DRAWING					
			BPISZCZOR	2017/03/14						
			DRAWING SIZE	THIRD ANGLE PROJECTION	SERIES	MATERIAL NUMBER	CUSTOMER			
			B		202110	2021101710	GENERAL MARKET			
					DOCUMENT NUMBER	DOC TYPE	DOC PART	SHEET NUMBER		
					2021101710-SD	PSD	000	1 OF 1		