



Chipsmall Limited consists of a professional team with an average of over 10 year of expertise in the distribution of electronic components. Based in Hongkong, we have already established firm and mutual-benefit business relationships with customers from,Europe,America and south Asia,supplying obsolete and hard-to-find components to meet their specific needs.

With the principle of “Quality Parts,Customers Priority,Honest Operation,and Considerate Service”,our business mainly focus on the distribution of electronic components. Line cards we deal with include Microchip,ALPS,ROHM,Xilinx,Pulse,ON,Everlight and Freescale. Main products comprise IC,Modules,Potentiometer,IC Socket,Relay,Connector.Our parts cover such applications as commercial,industrial, and automotives areas.

We are looking forward to setting up business relationship with you and hope to provide you with the best service and solution. Let us make a better world for our industry!



Contact us

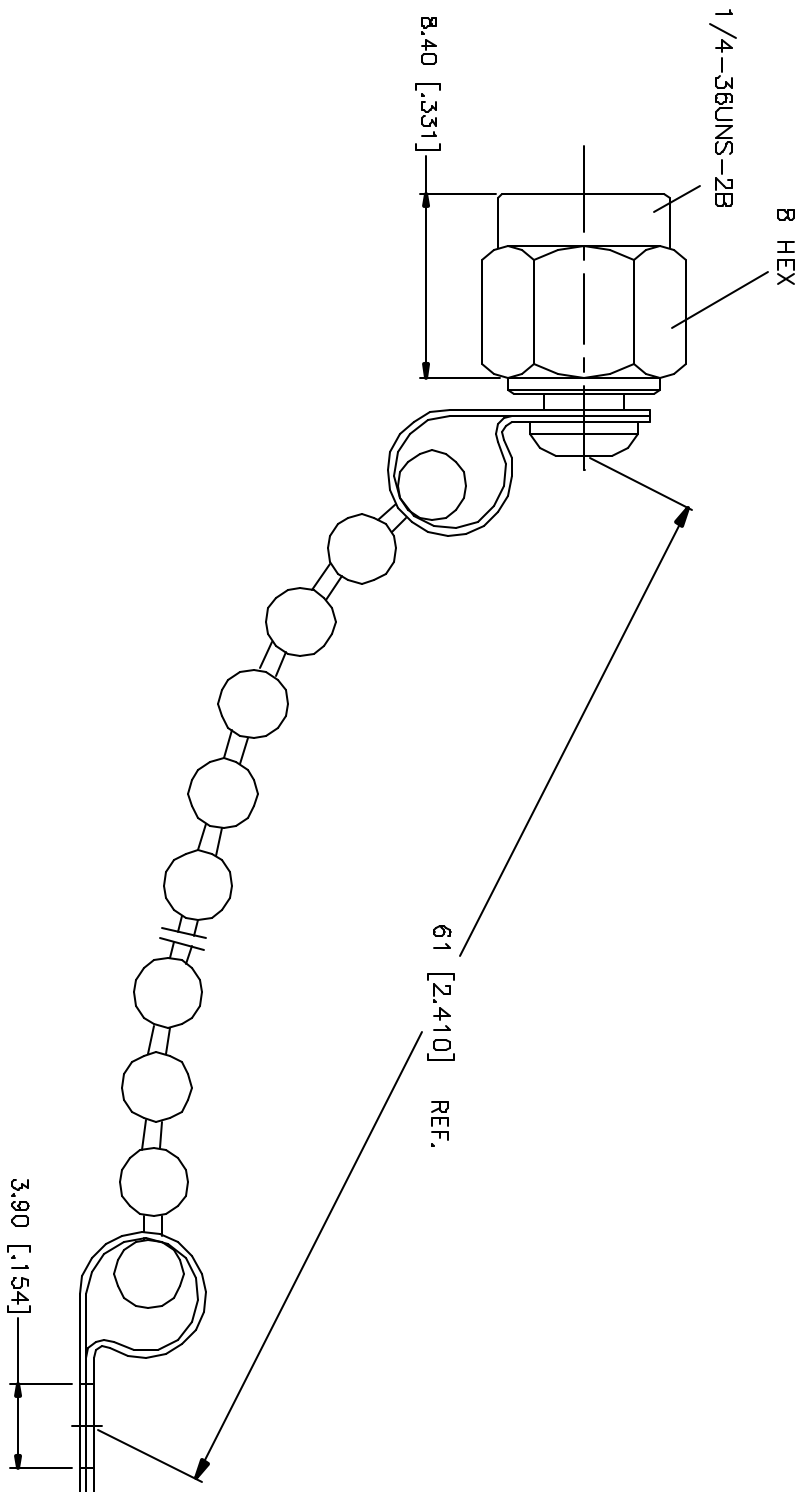
Tel: +86-755-8981 8866 Fax: +86-755-8427 6832

Email & Skype: info@chipsmall.com Web: www.chipsmall.com

Address: A1208, Overseas Decoration Building, #122 Zhenhua RD., Futian, Shenzhen, China



REV.	DATE	DESCRIPTION
NC	10/09/00	INITIAL RELEASE
A	04/28/05	UPDATE DRAWING FORMAT
B	05/17/05	CORRECT CHAIN PLATING SPEC.



REV.	DESCRIPTION	MATERIAL	FINISH	QTY
B				
7				
6				
5				
4	RIVET	BRASS	GOLD	1
3	CHAIN	BRASS	NICKEL	1
2	BASKET	SILICONE	RED	1
1	BODY	BRASS	GOLD	1
	DESCRIPTION	MATERIAL	FINISH	QTY

UNLESS OTHERWISE SPECIFIED DIMENSIONS ARE IN MILLIMETERS. DIMENSIONS IN INCHES ARE APPROXIMATE. TOLERANCES ARE AS SHOWN. UNLESS OTHERWISE SPECIFIED, TOLERANCES FOR MILLIMETER ARE: 0.15 - 30mm ± 0.20mm 30 - 120mm ± 0.50mm UNLESS OTHERWISE SPECIFIED, TOLERANCES FOR INCHES ARE: .020 - .315 = ± 0.0007" .315 - 1.180 = ± 0.015" 1.180 - 4.724 = ± 0.020"	
DO NOT SCALE DRAWINGS	

APPROVALS	DATE
DRAWN G.R.S.	05/17/05
CHECKED	
ISSUED	
SHEET 1 OF 1	

PART DESCRIPTION	
SMA MALE CAP W/CHAIN	
PART NO.	202112-10
DWG. NO.	202112-10.DWG
REV.	B
SIZE	A
SCALE	NA

Amphenol Connex