



Chipsmall Limited consists of a professional team with an average of over 10 year of expertise in the distribution of electronic components. Based in Hongkong, we have already established firm and mutual-benefit business relationships with customers from,Europe,America and south Asia,supplying obsolete and hard-to-find components to meet their specific needs.

With the principle of “Quality Parts,Customers Priority,Honest Operation,and Considerate Service”,our business mainly focus on the distribution of electronic components. Line cards we deal with include Microchip,ALPS,ROHM,Xilinx,Pulse,ON,Everlight and Freescale. Main products comprise IC,Modules,Potentiometer,IC Socket,Relay,Connector.Our parts cover such applications as commercial,industrial, and automotives areas.

We are looking forward to setting up business relationship with you and hope to provide you with the best service and solution. Let us make a better world for our industry!



## Contact us

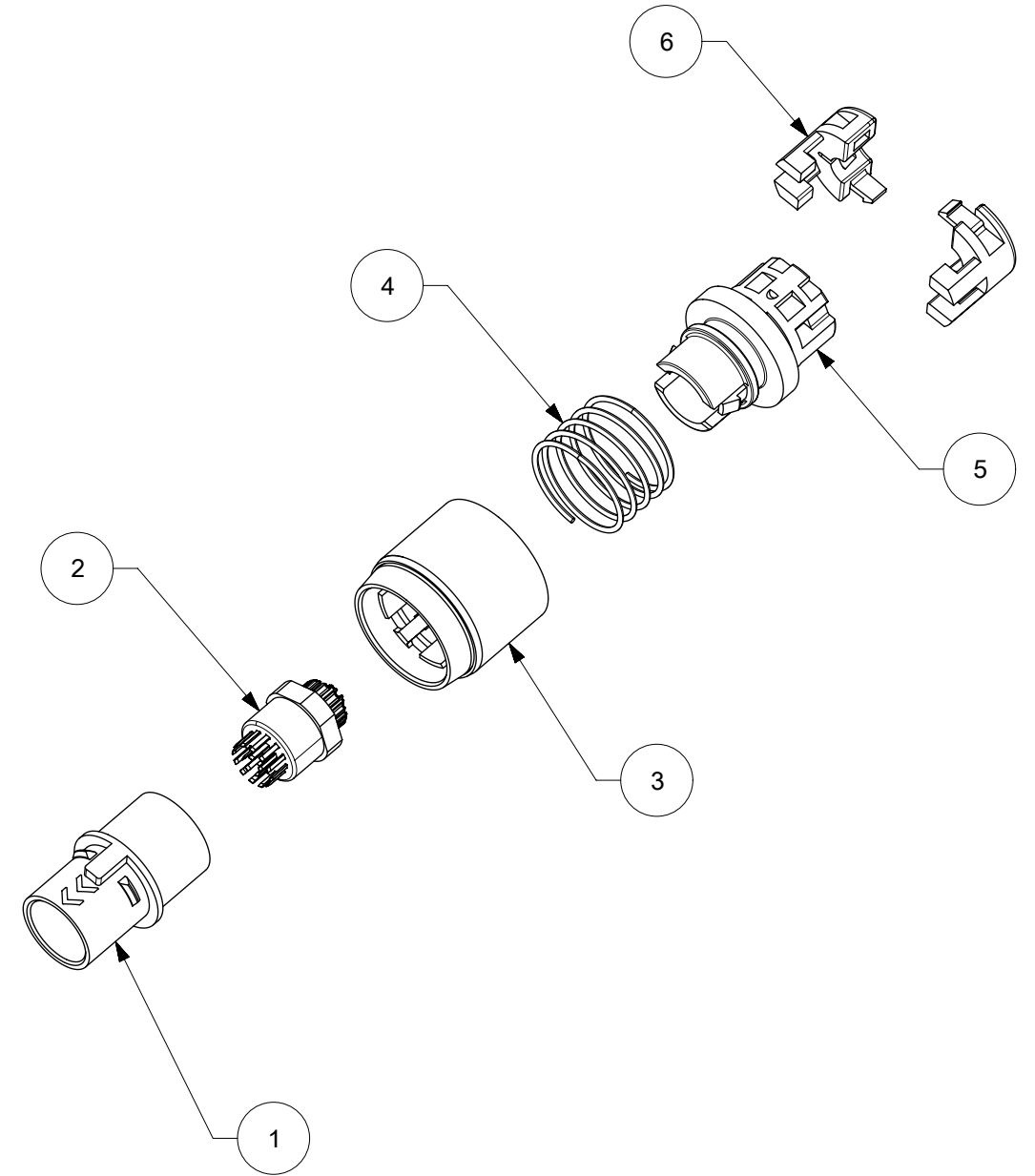
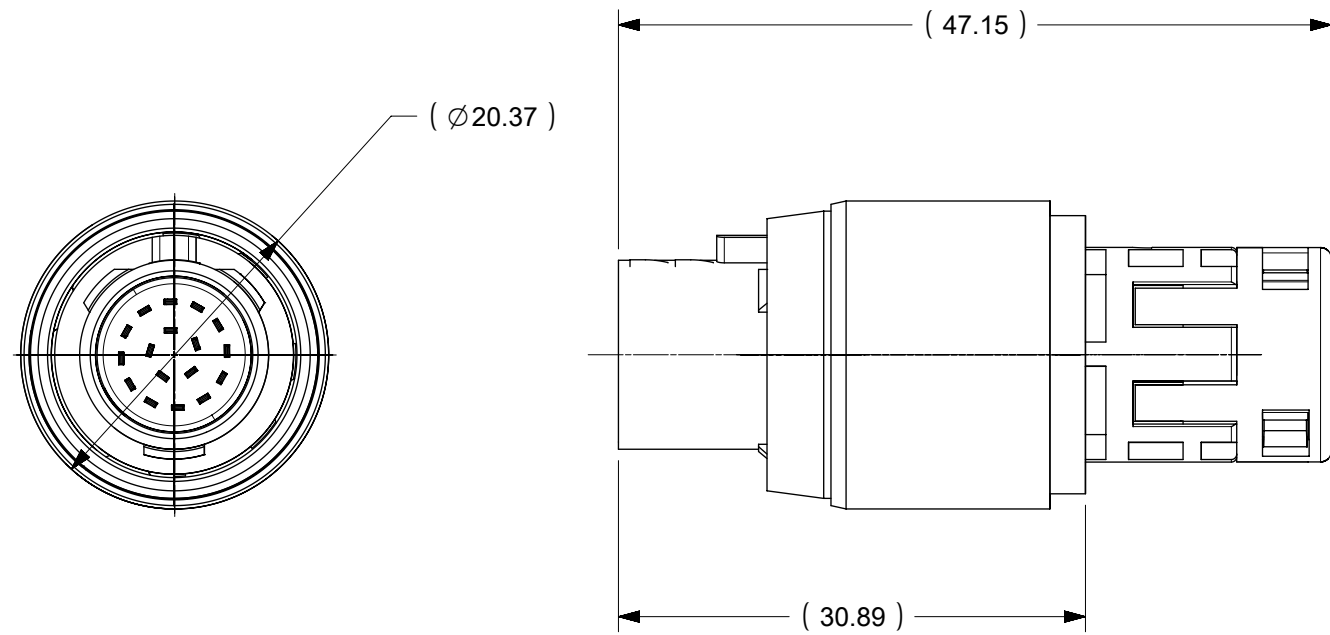
Tel: +86-755-8981 8866 Fax: +86-755-8427 6832

Email & Skype: info@chipsmall.com Web: www.chipsmall.com

Address: A1208, Overseas Decoration Building, #122 Zhenhua RD., Futian, Shenzhen, China



ITEM NUMBER	P/N	DESCRIPTION	QTY	SPQ
1	1723554001	MPC D2 MALE HOUSING	1	10
2	1723542000	MPC D2 MALE 17 CIRCUIT RETAINER ASSEMBLY	1	10
3	1723585000	MPC D2 MALE LOCK SLEEVE ASSEMBLY	1	10
4	1723521000	MPC D2 MALE LOCK SPRING	1	10
5	1723563000	MPC D2 MALE LOCK HOUSING	1	10
6	1723513000	MPC D2 STRAIN RELIEF	2	20



NOTES:

1. KIT TO BE PACKAGED PER SPEC PK-70873-3345
2. MATERIAL, MEDICAL GRADE PPSU; COLOR, BLACK
3. MATES WITH KIT P/N 202110-1710 OR 202111-1710.
4. FOR OVERMOLDING DIMENSIONS AND SPEC SEE APPLICATION SPEC AS-.

THIS DRAWING CONTAINS INFORMATION THAT IS PROPRIETARY TO MOLEX ELECTRONIC TECHNOLOGIES, LLC AND SHOULD NOT BE USED WITHOUT WRITTEN PERMISSION

EC NO: 114244 DRWN: JJONIAK CHKD: APPR: BPISZCZOR	2017/03/07	GENERAL TOLERANCES (UNLESS SPECIFIED)	DIMENSION UNITS	SCALE	<b>molex</b>  MPC D2 MALE ASSEMBLY W/ LOCK 17CKT			
	2017/03/14		MM	2:1				
			ANGULAR TOL ± °	DRWN BY		DATE		
			4 PLACES ±	JJONIAK		2016/07/11		
		3 PLACES ±	CHK'D BY	DATE	PRODUCT CUSTOMER DRAWING			
		2 PLACES ±	APPR BY	DATE				
		1 PLACE ±	BPISZCZOR	2016/10/21				
		0 PLACES ±	DRAWING SIZE	THIRD ANGLE PROJECTION				
		DRAFT WHERE APPLICABLE MUST REMAIN WITHIN DIMENSIONS	B		SERIES	MATERIAL NUMBER	CUSTOMER	
					202112	2021121710	GENERAL MARKET	
					DOCUMENT NUMBER	DOC TYPE	DOC PART	SHEET NUMBER
					2021121710	PSD	000	1 OF 1