



Chipsmall Limited consists of a professional team with an average of over 10 year of expertise in the distribution of electronic components. Based in Hongkong, we have already established firm and mutual-benefit business relationships with customers from,Europe,America and south Asia,supplying obsolete and hard-to-find components to meet their specific needs.

With the principle of “Quality Parts,Customers Priority,Honest Operation,and Considerate Service”,our business mainly focus on the distribution of electronic components. Line cards we deal with include Microchip,ALPS,ROHM,Xilinx,Pulse,ON,Everlight and Freescale. Main products comprise IC,Modules,Potentiometer,IC Socket,Relay,Connector.Our parts cover such applications as commercial,industrial, and automotives areas.

We are looking forward to setting up business relationship with you and hope to provide you with the best service and solution. Let us make a better world for our industry!



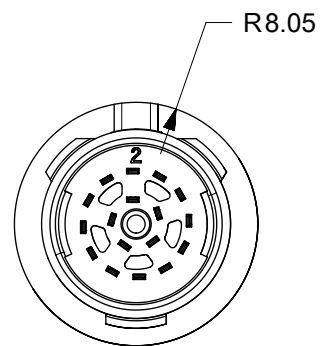
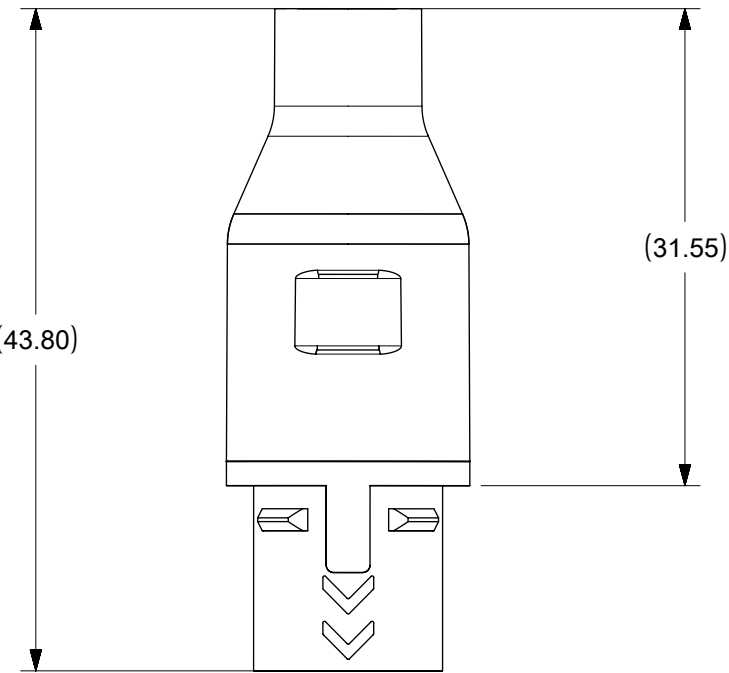
Contact us

Tel: +86-755-8981 8866 Fax: +86-755-8427 6832

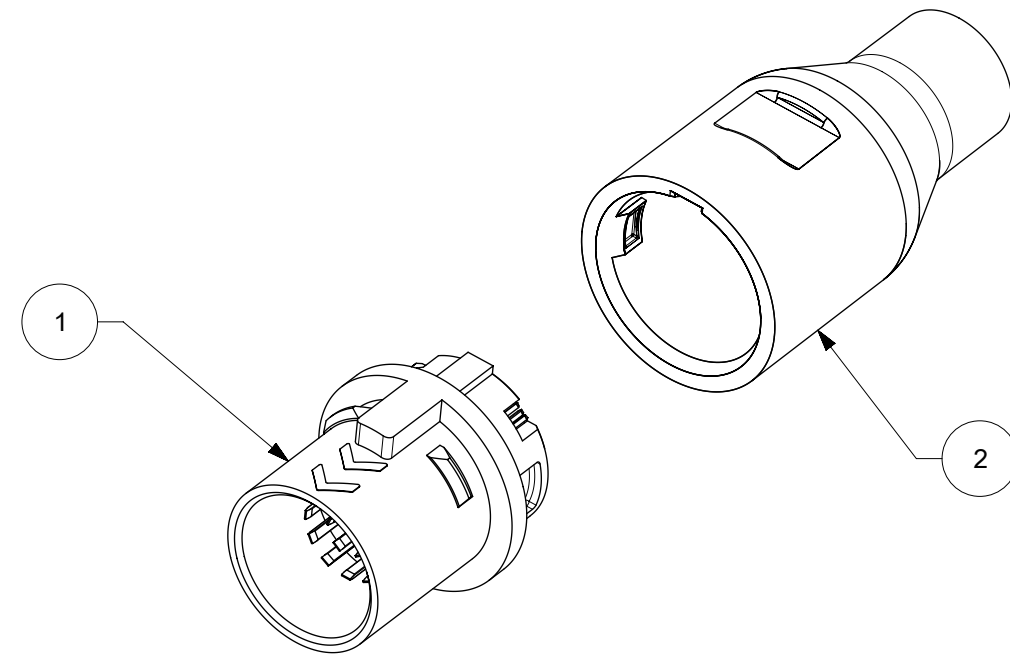
Email & Skype: info@chipsmall.com Web: www.chipsmall.com

Address: A1208, Overseas Decoration Building, #122 Zhenhua RD., Futian, Shenzhen, China





ITEM NUMBER	P/N	DESCRIPTION	QTY	SPQ
1	1723555500	MPC D2 MALE DISPOSABLE HOUSING 17 CKT W/ PAD PRINT	1	10
2	1723578017	MPC D2 MALE DISPOSABLE BOOT 6.8mm MAX CABLE OD	1	10



NOTES:

1. KIT TO BE PACKAGED PER SPEC PK-70873-3344
2. MATERIAL, MEDICAL GRADE LEXAN; COLOR, BLACK
3. MATES WITH KIT P/N 202110-1710, 202111-1710 OR 202400-1710.
4. FOR ASSEMBLY INFORMATION SEE APPLICATION SPEC AS-202110-0000.
5. FOR FURTHER PRODUCT INFORMATION SEE PRODUCT SPEC PS-202110-0000

THIS DRAWING CONTAINS INFORMATION THAT IS PROPRIETARY TO MOLEX ELECTRONIC TECHNOLOGIES, LLC AND SHOULD NOT BE USED WITHOUT WRITTEN PERMISSION											
QUALITY SYMBOLS	EC NO: 114560	DRWN: JJONIAK	CHKD:	APPR: BPISZCZOR	REV	A	GENERAL TOLERANCES (UNLESS SPECIFIED)	DIMENSION UNITS	SCALE		
								MM	2:1		
▽ = 0	2017/03/15	2017/03/17	ANGULAR TOL ±	DRWN BY	DATE	MPC D2 MALE 17CKT DISPOSABLE ASSY KIT					
▽ = 0	4 PLACES ±	°	JJONIAK	2017/03/15							
▽ = 0	3 PLACES ±		CHK'D BY	DATE	PRODUCT CUSTOMER DRAWING						
▼ = 0	2 PLACES ±		BPISZCZOR	2017/03/17							
▽ = 0	1 PLACE ±		APPR BY	DATE	SERIES	MATERIAL NUMBER	CUSTOMER				
□ = 0	0 PLACES ±		DRAWING SIZE	THIRD ANGLE PROJECTION	202113	2021131710					
■ = 0	DRAFT WHERE APPLICABLE MUST REMAIN WITHIN DIMENSIONS		B		DOCUMENT NUMBER	DOC TYPE	DOC PART	SHEET NUMBER			
▽ = 0					2021131730-SD	PSD	000	1 OF 1			