



Chipsmall Limited consists of a professional team with an average of over 10 year of expertise in the distribution of electronic components. Based in Hongkong, we have already established firm and mutual-benefit business relationships with customers from,Europe,America and south Asia,supplying obsolete and hard-to-find components to meet their specific needs.

With the principle of “Quality Parts,Customers Priority,Honest Operation,and Considerate Service”,our business mainly focus on the distribution of electronic components. Line cards we deal with include Microchip,ALPS,ROHM,Xilinx,Pulse,ON,Everlight and Freescale. Main products comprise IC,Modules,Potentiometer,IC Socket,Relay,Connector.Our parts cover such applications as commercial,industrial, and automotives areas.

We are looking forward to setting up business relationship with you and hope to provide you with the best service and solution. Let us make a better world for our industry!



Contact us

Tel: +86-755-8981 8866 Fax: +86-755-8427 6832

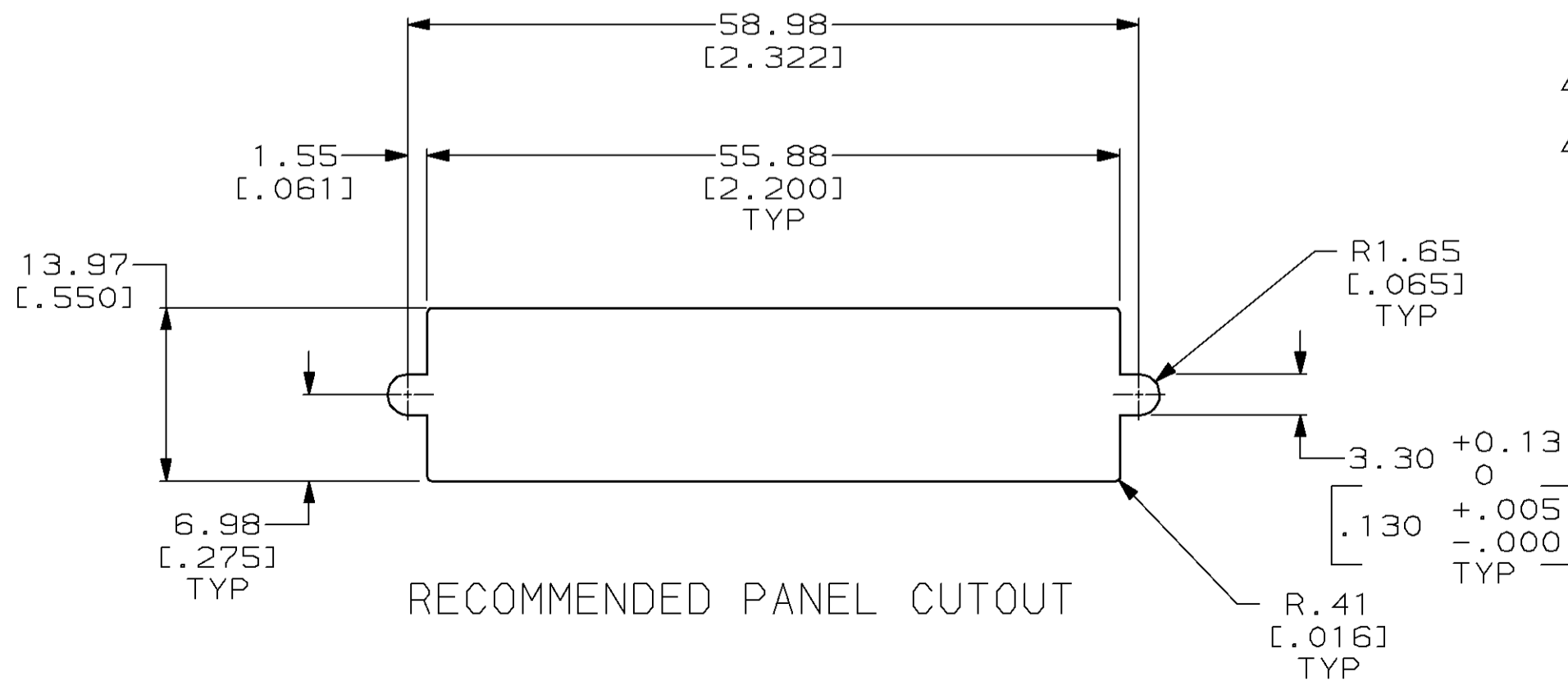
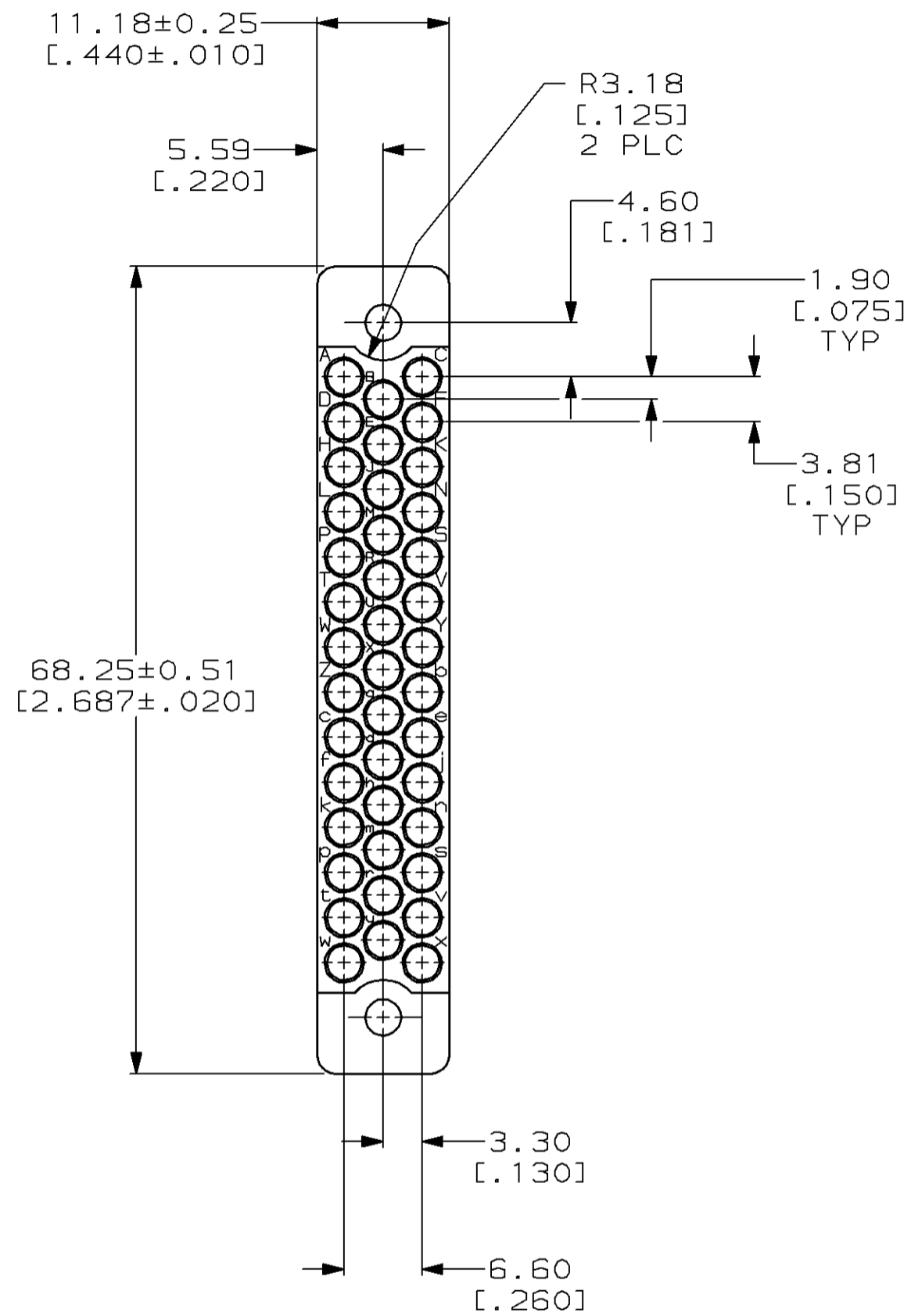
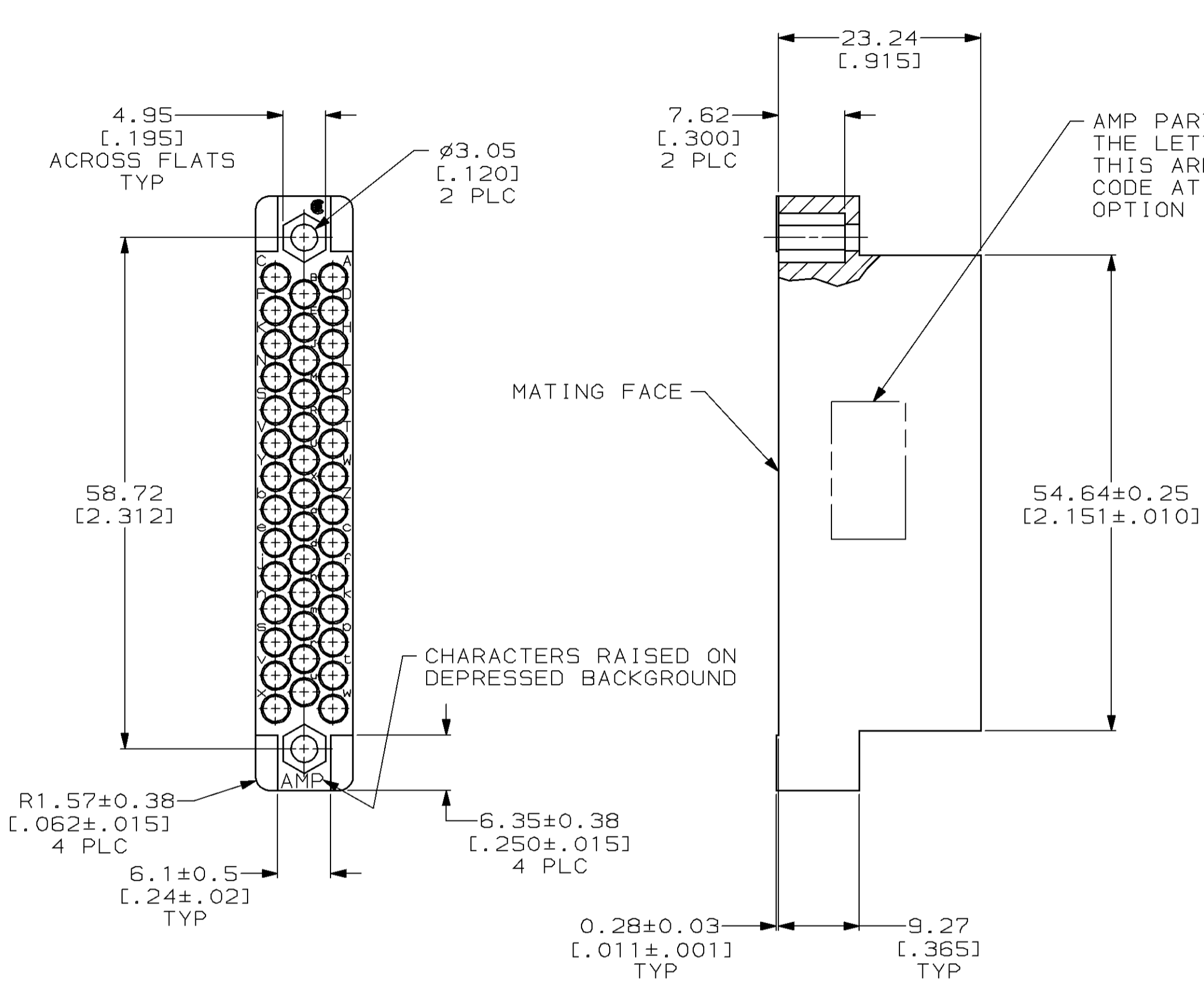
Email & Skype: info@chipsmall.com Web: www.chipsmall.com

Address: A1208, Overseas Decoration Building, #122 Zhenhua RD., Futian, Shenzhen, China



THIS DRAWING IS UNPUBLISHED. RELEASED FOR PUBLICATION
 BY AMP INCORPORATED. ALL RIGHTS RESERVED.

Loc		DIST		REVISIONS			
P	LTR	DESCRIPTION	DATE	DWN	APVD		
	L	REDRAWN W/O CHANGE PER EC 0020-1299-95	19 FEB 96	-	-		
	M	REV PER EC 0320-82-97	14 AUG 97	BC	GS		



- 1 PHENOLIC, BLACK, PER MIL-M-14, TYPE CFG.
- 2 DIALLYL PHTHALATE, BLUE, PER MIL-M-14, TYPE SDG-F.
- 3. ACCOMODATES 41 #16 TYPE II OR TYPE III PIN CONTACTS OR SOCKET CONTACTS.
- 4. MATES WITH 201302.

2	202135-4
1	202135-2
MATERIAL	PART NUMBER

THIS DRAWING IS A CONTROLLED DOCUMENT FOR AMP INCORPORATED. IT IS SUBJECT TO CHANGE AND THE CONTROLLING ENGINEERING ORGANIZATION SHOULD BE CONTACTED FOR THE LATEST REVISION.		DWN	19 FEB 96	AMP Incorporated Harrisburg, PA 17105-3608
		CHK	13 MAR 96	
		APVD	25 JUN 96	NAME MALE BLOCK, DEEP, 41 POSITION, M SERIES
		G.A. STEINHAUER		
DIMENSIONS: mm [INCHES]		TOLERANCES UNLESS OTHERWISE SPECIFIED:		PRODUCT SPEC
		0 PLC ±-		APPLICATION SPEC
		1 PLC ±-		
		2 PLC ±0.13 [.005]		WEIGHT
		3 PLC ±-		
		4 PLC ±-		
		ANGLES ±-		SIZE
		FINISH -		CAGE CODE
MATERIAL		SEE TABLE		DRAWING NO
				A2 00779
				SCALE
				2:1
				SHEET
				1 OF 1
				REV
				M

202135

A