



Chipsmall Limited consists of a professional team with an average of over 10 year of expertise in the distribution of electronic components. Based in Hongkong, we have already established firm and mutual-benefit business relationships with customers from,Europe,America and south Asia,supplying obsolete and hard-to-find components to meet their specific needs.

With the principle of "Quality Parts,Customers Priority,Honest Operation,and Considerate Service",our business mainly focus on the distribution of electronic components. Line cards we deal with include Microchip,ALPS,ROHM,Xilinx,Pulse,ON,Everlight and Freescale. Main products comprise IC,Modules,Potentiometer,IC Socket,Relay,Connector.Our parts cover such applications as commercial,industrial, and automotives areas.

We are looking forward to setting up business relationship with you and hope to provide you with the best service and solution. Let us make a better world for our industry!



## Contact us

Tel: +86-755-8981 8866 Fax: +86-755-8427 6832

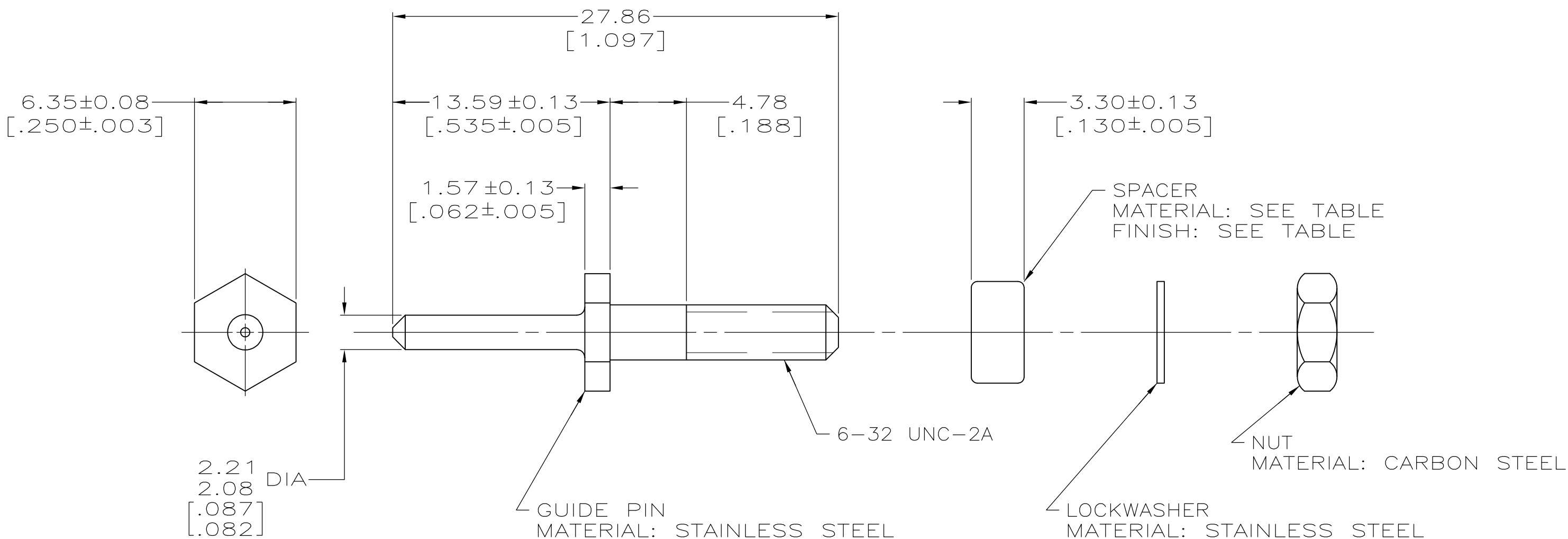
Email & Skype: info@chipsmall.com Web: www.chipsmall.com

Address: A1208, Overseas Decoration Building, #122 Zhenhua RD., Futian, Shenzhen, China



THIS DRAWING IS UNPUBLISHED. RELEASED FOR PUBLICATION  
 © COPYRIGHT BY TYCO ELECTRONICS CORPORATION. ALL RIGHTS RESERVED.

LOC	DIST	REVISIONS			
P	LTR	DESCRIPTION	DATE	DWN	APVD
FT	0	T	REVISED PER ECO-10-021995	12JAN11	HMR MG



1	STAINLESS STEEL	YES	202173-8
-	-	NO	202173-7
2	BRASS	YES	202173-6
1	STAINLESS STEEL	YES	202173-5
-	-	NO	202173-1
FINISH		MATERIAL	
SPACER			PART NUMBER

SUPERSEDED BY 202173-8  
 SUPERSEDED BY 202173-7

1 PASSIVATED.

2 2.54um [.000100] MIN ZINC WITH HEXAVALENT CHROMIUM.

DIMENSIONS:		TOLERANCES UNLESS OTHERWISE SPECIFIED:		DWN		Tyco Electronics		Tyco Electronics Corporation	
mm [INCHES]									
		0 PLC	± -	C.DORWART	30 AUG 95	Harrisburg, Pa 17105-3608			
		1 PLC	± -	CHK	31 AUG 95	NAME			
		2 PLC	± 0.38 [.015]	R.STONE		GUIDE PIN KIT, UNASSEMBLED, M SERIES			
		3 PLC	± -	APVD	05 OCT 95	SIZE			
		4 PLC	± -	G.STEINHAEUER		CAGE CODE			
		ANGLES	± -	PRODUCT SPEC		DRAWING NO			
				APPLICATION SPEC		RESTRICTED TO			
MATERIAL	FINISH			WEIGHT		A300779 C-202173			
SEE CALLOUTS	-			CUSTOMER DRAWING		SCALE		SHEET	
						4:1		1 OF 1	
								REV T	