



Chipsmall Limited consists of a professional team with an average of over 10 year of expertise in the distribution of electronic components. Based in Hongkong, we have already established firm and mutual-benefit business relationships with customers from,Europe,America and south Asia,supplying obsolete and hard-to-find components to meet their specific needs.

With the principle of “Quality Parts,Customers Priority,Honest Operation,and Considerate Service”,our business mainly focus on the distribution of electronic components. Line cards we deal with include Microchip,ALPS,ROHM,Xilinx,Pulse,ON,Everlight and Freescale. Main products comprise IC,Modules,Potentiometer,IC Socket,Relay,Connector.Our parts cover such applications as commercial,industrial, and automotives areas.

We are looking forward to setting up business relationship with you and hope to provide you with the best service and solution. Let us make a better world for our industry!



## Contact us

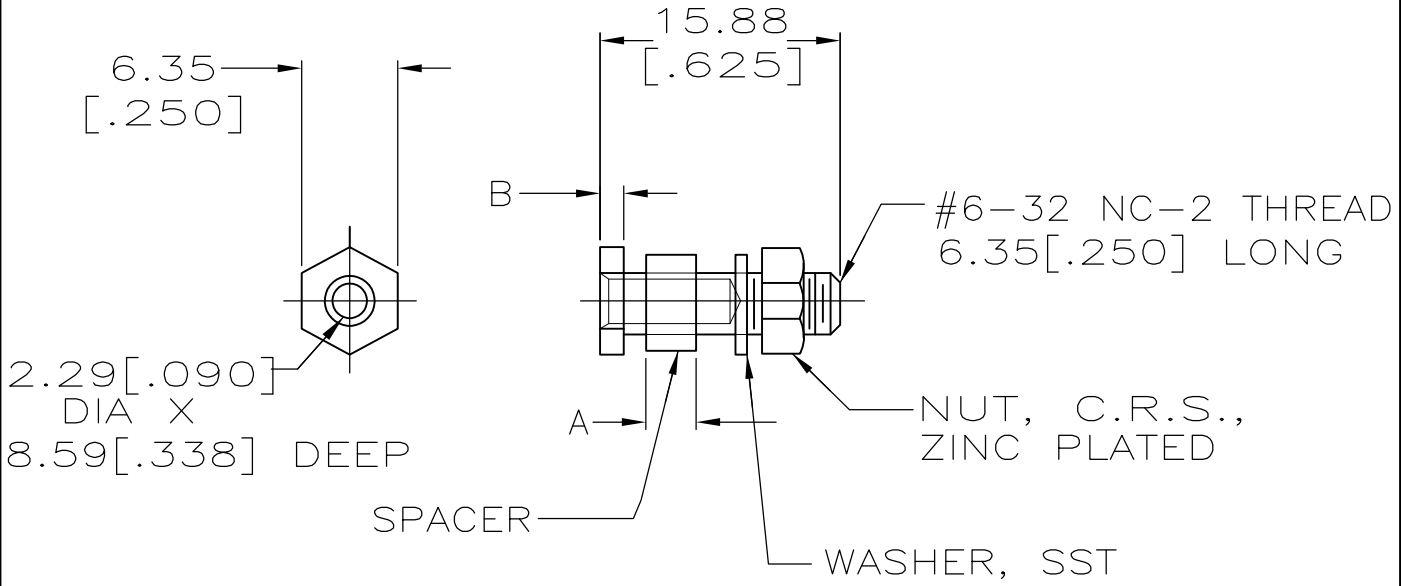
Tel: +86-755-8981 8866 Fax: +86-755-8427 6832

Email & Skype: info@chipsmall.com Web: www.chipsmall.com

Address: A1208, Overseas Decoration Building, #122 Zhenhua RD., Futian, Shenzhen, China



LOC	DIST	REVISIONS					
FT	0	P	LTR	DESCRIPTION	DATE	DWN	APVD
		M		REVISED PER ECO-10-021995	12JAN11	HMR	MG



	1.57 [.062]	3.30 [.130]	202174-5
	3.10 [.122]	—	202174-4
OBSOLETE	1.57 [.062]	2.36 [.093]	202174-3
SUPERSEDED BY 202174-5	1.57 [.062]	3.30 [.130]	202174-1
	B	A	PART NUMBER

THIS DRAWING IS UNPUBLISHED.  
 ALL INTERNATIONAL RIGHTS RESERVED.  
 COPYRIGHT - BY TYCO ELECTRONICS CORPORATION.

DIMENSIONS: mm [INCHES]	DWN	10/28/94	MATERIAL	SEE CALLOUTS	FINISH	SEE CALLOUTS	
	CHK	11/7/94	Tyco Electronics Corporation Harrisburg, PA 17105-3608				
TOLERANCES UNLESS OTHERWISE SPECIFIED:  0 PLC ± - 1 PLC ± - 2 PLC ± 0.38[.015] 3 PLC ± - 4 PLC ± - ANGLES ± -	APVD	-	NAME GUIDE SOCKET KIT, UNASSEMBLED 104 POSN CNTR FASTENER, M SERIES				
	PRODUCT SPEC	-	SIZE	CAGE CODE	DRAWING NO	RESTRICTED TO	
	APPLICATION SPEC	-	A4	00779	C-202174	-	
	WEIGHT	-	CUSTOMER DRAWING			SCALE 2:1	SHEET 1 OF 1
						REV M	