



Chipsmall Limited consists of a professional team with an average of over 10 year of expertise in the distribution of electronic components. Based in Hongkong, we have already established firm and mutual-benefit business relationships with customers from,Europe,America and south Asia,supplying obsolete and hard-to-find components to meet their specific needs.

With the principle of “Quality Parts,Customers Priority,Honest Operation,and Considerate Service”,our business mainly focus on the distribution of electronic components. Line cards we deal with include Microchip,ALPS,ROHM,Xilinx,Pulse,ON,Everlight and Freescale. Main products comprise IC,Modules,Potentiometer,IC Socket,Relay,Connector.Our parts cover such applications as commercial,industrial, and automotives areas.

We are looking forward to setting up business relationship with you and hope to provide you with the best service and solution. Let us make a better world for our industry!



Contact us

Tel: +86-755-8981 8866 Fax: +86-755-8427 6832

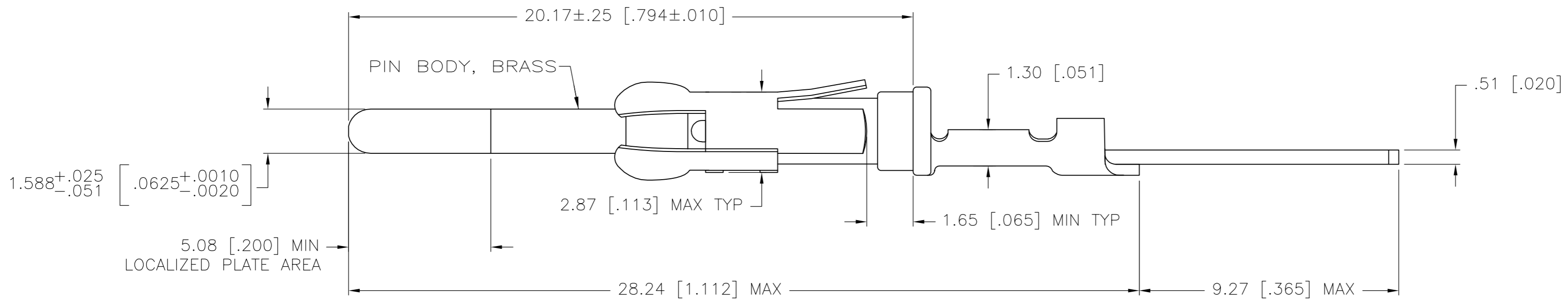
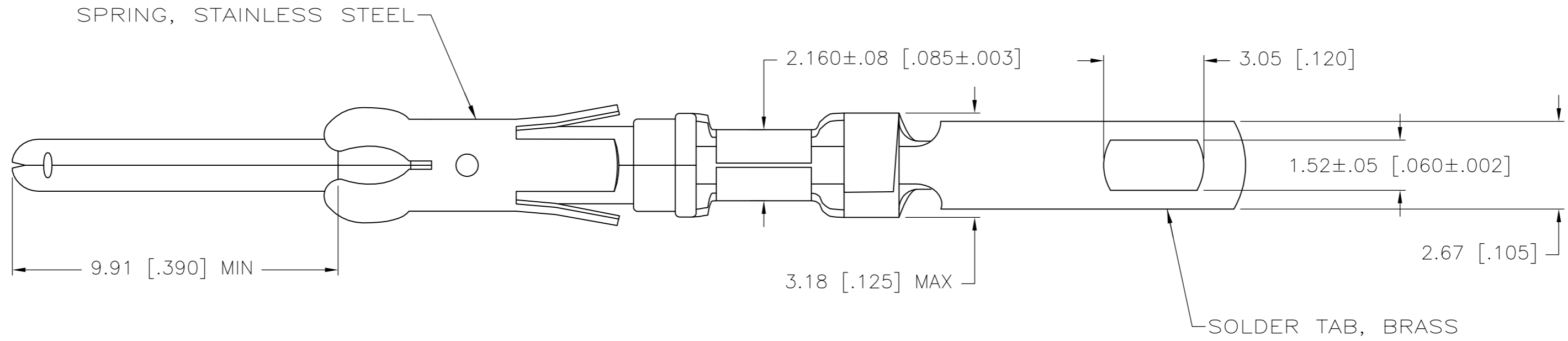
Email & Skype: info@chipsmall.com Web: www.chipsmall.com

Address: A1208, Overseas Decoration Building, #122 Zhenhua RD., Futian, Shenzhen, China



THIS DRAWING IS UNPUBLISHED. RELEASED FOR PUBLICATION
 © COPYRIGHT - By - ALL RIGHTS RESERVED.

LOC	DIST	REVISIONS			
P	LTR	DESCRIPTION	DATE	DWN	APVD
FT	0	T1	REVISED PER ECO-11-004820	11MAR11	RK HMR



- ① 1.27µm [.000050] MIN TIN-LEAD OVER
1.27µm [.000050] MIN NICKEL.
- ② 0.76µm [.000030] MIN GOLD IN LOCALIZED
PLATE AREA, 0.25µm [.000010] MIN
GOLD ON THE REMAINDER ALL OVER
1.27µm [.000050] MIN NICKEL.
- ③ 2.54µm [.000100] MIN TIN-LEAD OVER
1.27µm [.000050] MIN NICKEL.
- ④ 2.54µm [.000100] MIN TIN OVER
1.27µm [.000050] MIN NICKEL.
- ⑤ 1.27µm [.000050] MIN TIN OVER
1.27µm [.000050] MIN NICKEL.

④	SMALL PACK	②	202236-8
	STANDARD	②	202236-7
③	SMALL PACK	⑤	202236-6
	STANDARD	⑤	202236-5
	STANDARD	①	202236-4
FINISH SOLDER TAB	SMALL PACK	②	202236-3
	STANDARD	①	202236-2
	STANDARD	②	202236-1
FINISH SOLDER TAB	PACKAGING TYPE	FINISH	PART NO

THIS DRAWING IS A CONTROLLED DOCUMENT.		DWN H MOLL	27SEP90	TE TE Connectivity
DIMENSIONS: mm [INCHES]		CHK J.McCLINTON	15DEC90	
TOLERANCES UNLESS OTHERWISE SPECIFIED:		APVD A. BOULLIANNE	15DEC90	NAME PIN ASSEMBLY, LOOSE PIECE, TYPE III+
0 PLC ± - 1 PLC ± - 2 PLC ± 0.13[.005] 3 PLC ± - 4 PLC ± - ANGLES ± -		PRODUCT SPEC -	APPLICATION SPEC -	SIZE A2
MATERIAL SEE CALL OUT	FINISH PIN BODY:SEE TABLE	WEIGHT -	CAGE CODE 00779	DRAWING NO C=202236
CUSTOMER DRAWING			SCALE 8:1	SHEET 1 of 1
			REV T1	RESTRICTED TO -