



Chipsmall Limited consists of a professional team with an average of over 10 year of expertise in the distribution of electronic components. Based in Hongkong, we have already established firm and mutual-benefit business relationships with customers from,Europe,America and south Asia,supplying obsolete and hard-to-find components to meet their specific needs.

With the principle of “Quality Parts,Customers Priority,Honest Operation,and Considerate Service”,our business mainly focus on the distribution of electronic components. Line cards we deal with include Microchip,ALPS,ROHM,Xilinx,Pulse,ON,Everlight and Freescale. Main products comprise IC,Modules,Potentiometer,IC Socket,Relay,Connector.Our parts cover such applications as commercial,industrial, and automotives areas.

We are looking forward to setting up business relationship with you and hope to provide you with the best service and solution. Let us make a better world for our industry!



Contact us

Tel: +86-755-8981 8866 Fax: +86-755-8427 6832

Email & Skype: info@chipsmall.com Web: www.chipsmall.com

Address: A1208, Overseas Decoration Building, #122 Zhenhua RD., Futian, Shenzhen, China



4

3

2

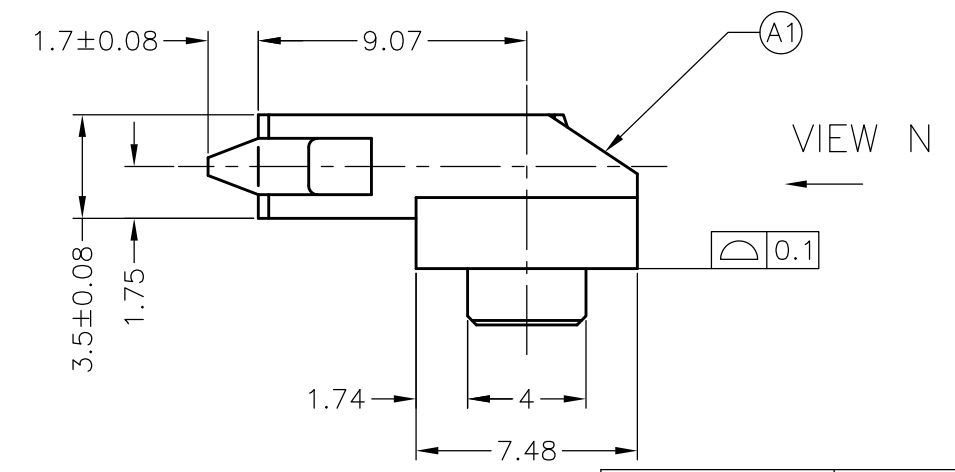
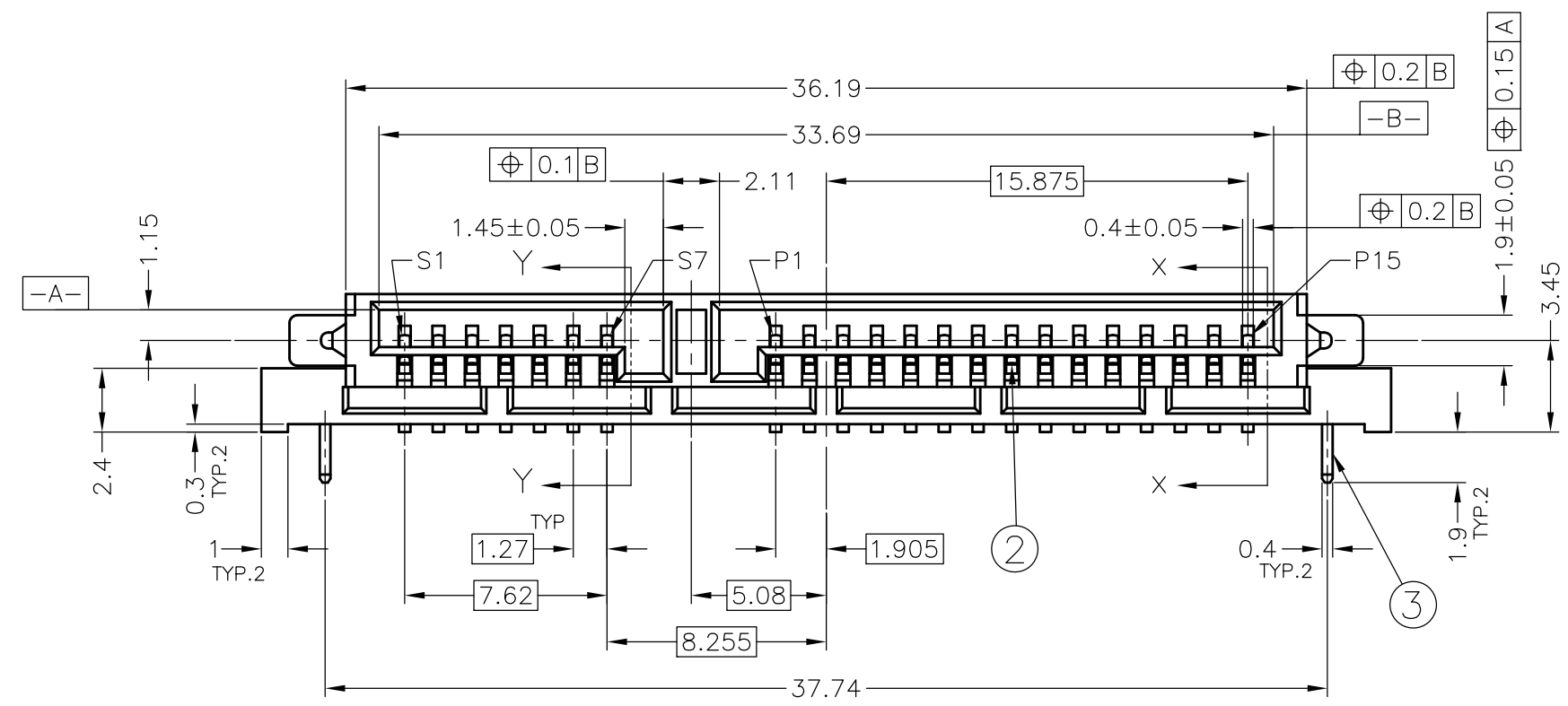
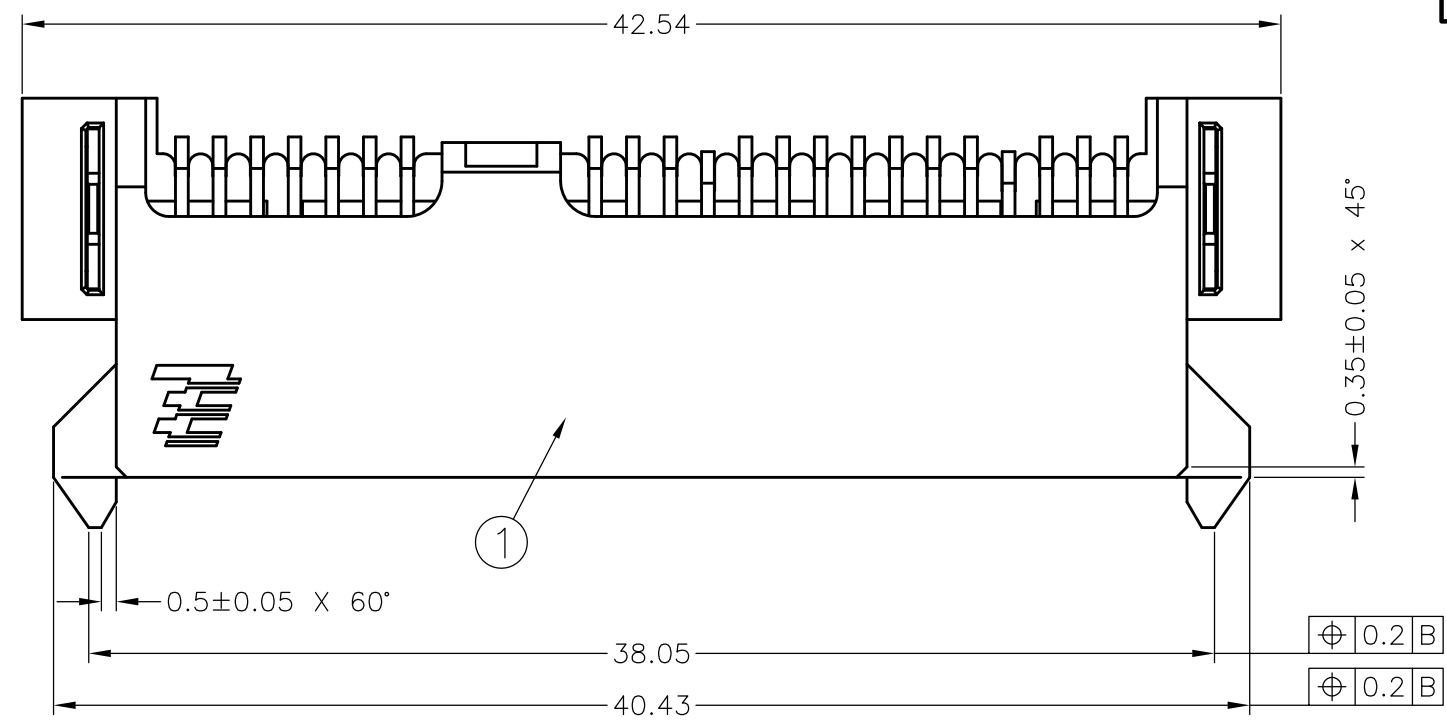
1

THIS DRAWING IS UNPUBLISHED. RELEASED FOR PUBLICATION
 © COPYRIGHT BY TYCO ELECTRONICS CORPORATION. ALL RIGHTS RESERVED.

LOC	DIST	REVISIONS			
P	LTR	DESCRIPTION	DATE	DWN	APVD
DW		A1	REVISED (ECR-10-004449)	23FEB2010	V.P. H.K

2023246-1~-3: AS SHOWN

1. MATERIAL:
 ① HOUSING: HIGH TEMPERATURE THERMOPLASTIC
 UL94V-0, COLOR:BLACK
 ② CONTACT: COPPER ALLOY
 ③ SOLDER LEG: COPPER ALLOY
2. FINISH:
 CONTACT: (SEE TABLE) GOLD PLATED ON CONTACT AREA,
 2.54μm MIN. MATTE-TIN PLATING ON SOLDER TAILS.
 1.27μm MIN. NICKEL UNDER PLATING OVER ALL.
 SOLDER LEG: 2.54μm MIN. MATTE-TIN PLATED
 1.27μm MIN. NICKET PLATED.



2023246-3	0.76μm
2023246-2	0.30μm
2023246-1	0.05μm
PART NUMBER	CONTACT Au PLATED

THIS DRAWING IS A CONTROLLED DOCUMENT.		DWN	V.PENG	14NOV2008	Tyco Electronics Corporation Taipei, Taiwan
DIMENSIONS: mm		CHK	H.KODAMA	14NOV2008	
TOLERANCES UNLESS OTHERWISE SPECIFIED:		APVD	H.KODAMA	14NOV2008	
8 PLC ± 1 PLC ± ±0.25 2 PLC ± ±3° 3 PLC ± ± 4 PLC ± ± ANGLES ± ±		PRODUCT SPEC	108-99017		
MATERIAL		APPLICATION SPEC		NAME	
FINISH		WEIGHT		SATA RECEPTACLE R/A SMT TYPE, 3.45MM	
		CUSTOMER DRAWING		RESTRICTED TO	
		SCALE		SIZE	
		4:1		A3 00779	
		SHEET		DRAWING NO	
		1 OF 4		G-2023246	
		REV		A1	

4

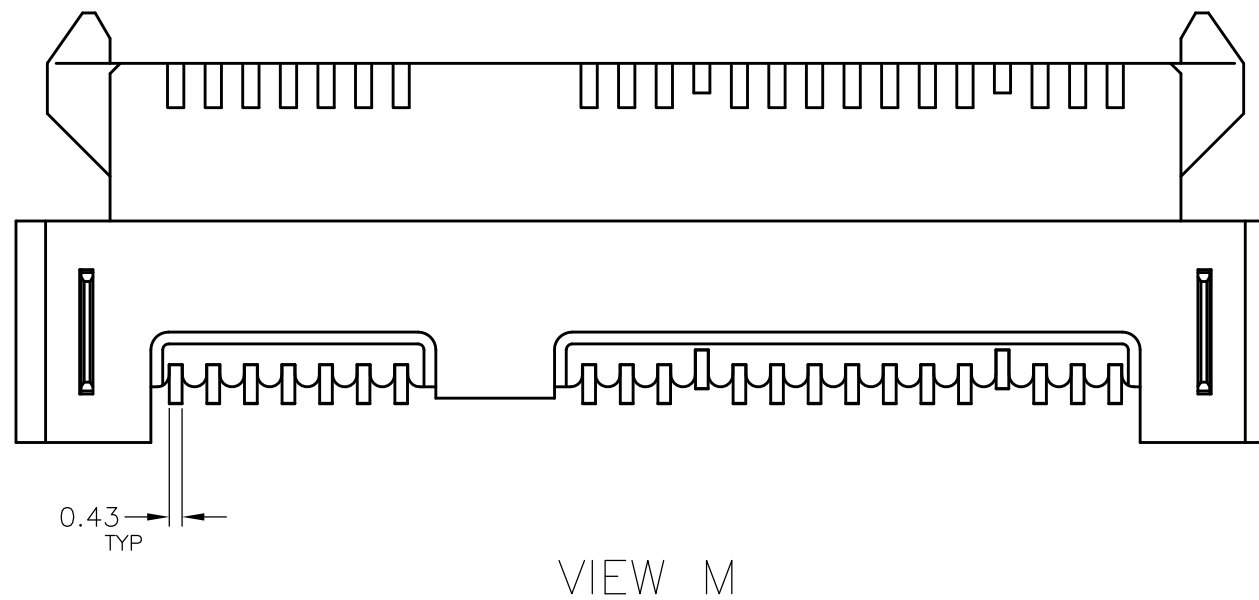
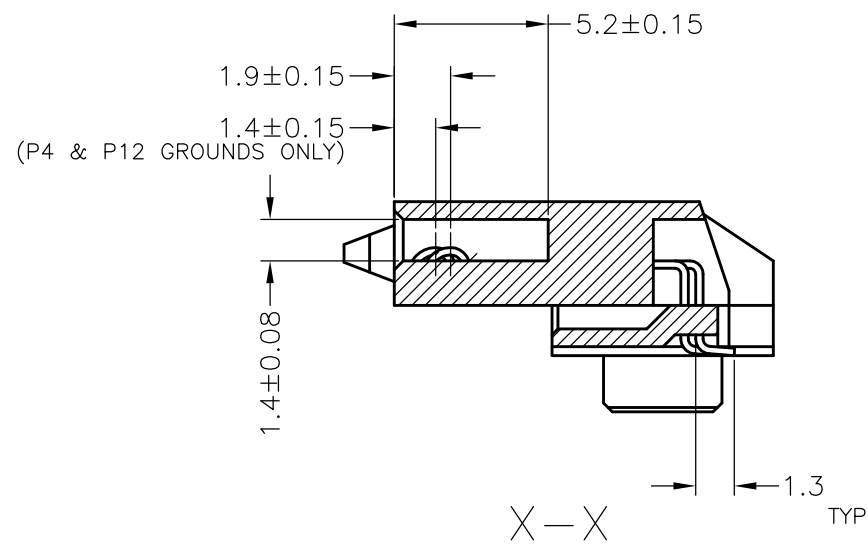
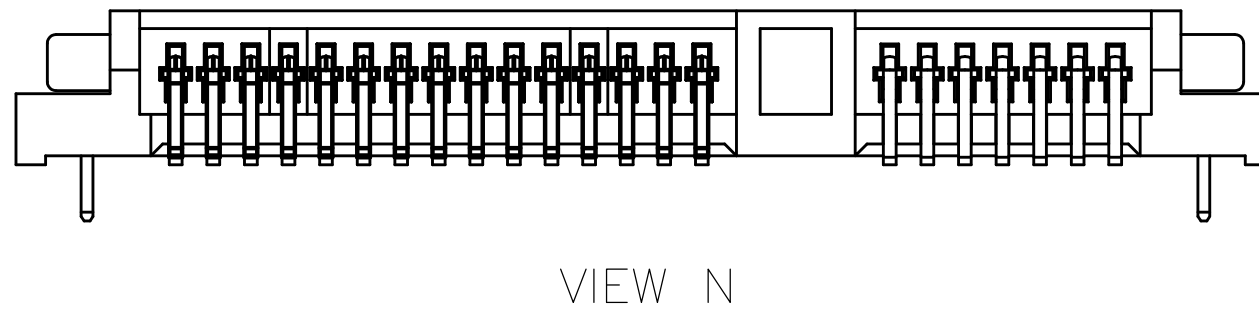
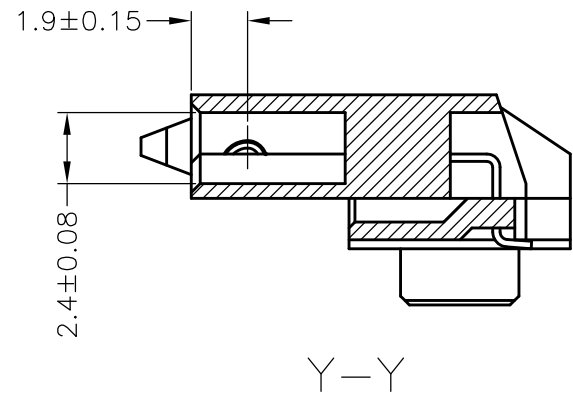
3

2

1

THIS DRAWING IS UNPUBLISHED. RELEASED FOR PUBLICATION
 © COPYRIGHT BY TYCO ELECTRONICS CORPORATION. ALL RIGHTS RESERVED.

LOC	DIST	REVISIONS			
P	LTR	DESCRIPTION	DATE	DWN	APVD
		SEE SHEET 1	-	-	-

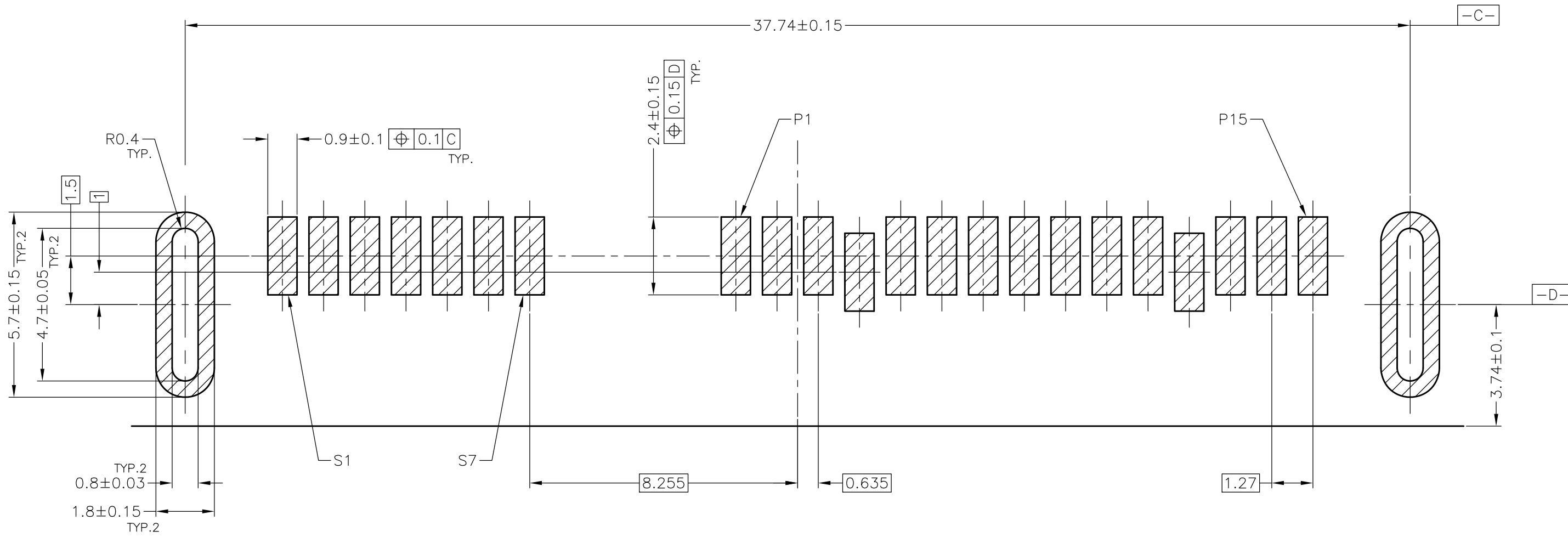


THIS DRAWING IS A CONTROLLED DOCUMENT.		DWN	Tyco Electronics Corporation Taipei, Taiwan																			
DIMENSIONS: mm		CHK	NAME																			
TOLERANCES UNLESS OTHERWISE SPECIFIED:		APVD	SATA RECEPTACLE R/A SMT TYPE, 3.45MM																			
<table border="1"> <tr><td>8 PLC</td><td>±</td><td></td></tr> <tr><td>1 PLC</td><td>±</td><td>±0.25</td></tr> <tr><td>2 PLC</td><td>±</td><td>±3°</td></tr> <tr><td>3 PLC</td><td>±</td><td></td></tr> <tr><td>4 PLC</td><td>±</td><td></td></tr> <tr><td>ANGLES</td><td>±</td><td></td></tr> </table>		8 PLC	±		1 PLC	±	±0.25	2 PLC	±	±3°	3 PLC	±		4 PLC	±		ANGLES	±		PRODUCT SPEC	SIZE	CAGE CODE
8 PLC	±																					
1 PLC	±	±0.25																				
2 PLC	±	±3°																				
3 PLC	±																					
4 PLC	±																					
ANGLES	±																					
MATERIAL		APPLICATION SPEC	A3	00779																		
FINISH		WEIGHT	DRAWING NO. 2023246																			
		CUSTOMER DRAWING	RESTRICTED TO																			
		SCALE	SHEET	REV																		
		4:1	2 OF 4	A1																		

THIS DRAWING IS UNPUBLISHED. RELEASED FOR PUBLICATION

© COPYRIGHT BY TYCO ELECTRONICS CORPORATION. ALL RIGHTS RESERVED.

LOC	DIST	REVISIONS					
DW		P	LTR	DESCRIPTION	DATE	DWN	APVD
		-	-	SEE SHEET 1	-	-	-



THIS DRAWING IS A CONTROLLED DOCUMENT.		DWN		Tyco Electronics Corporation Taipei, Taiwan																			
DIMENSIONS: mm		TOLERANCES UNLESS OTHERWISE SPECIFIED:		NAME																			
<table border="1"> <tr><td>8 PLC</td><td>±</td><td></td></tr> <tr><td>1 PLC</td><td>±</td><td>±0.05</td></tr> <tr><td>2 PLC</td><td>±</td><td>±3°</td></tr> <tr><td>3 PLC</td><td>±</td><td></td></tr> <tr><td>4 PLC</td><td>±</td><td></td></tr> <tr><td>ANGLES</td><td>±</td><td></td></tr> </table>		8 PLC	±		1 PLC	±	±0.05	2 PLC	±	±3°	3 PLC	±		4 PLC	±		ANGLES	±		APVD		SATA RECEPTACLE R/A SMT TYPE, 3.45MM	
8 PLC	±																						
1 PLC	±	±0.05																					
2 PLC	±	±3°																					
3 PLC	±																						
4 PLC	±																						
ANGLES	±																						
MATERIAL		FINISH		PRODUCT SPEC																			
				APPLICATION SPEC																			
				WEIGHT																			
				RESTRICTED TO																			
		CUSTOMER DRAWING		SIZE A3 CAGE CODE 00779 DRAWING NO. 2023246																			
				SCALE 8:1 SHEET 3 OF 4 REV A1																			

4

3

2

1

THIS DRAWING IS UNPUBLISHED.

RELEASED FOR PUBLICATION

© COPYRIGHT BY TYCO ELECTRONICS CORPORATION. ALL RIGHTS RESERVED.

LOC DW	DIST	REVISIONS			DATE	DWN	APVD
P	LTR	DESCRIPTION	DATE	DWN	APVD		
		SEE SHEET 1	-	-	-		

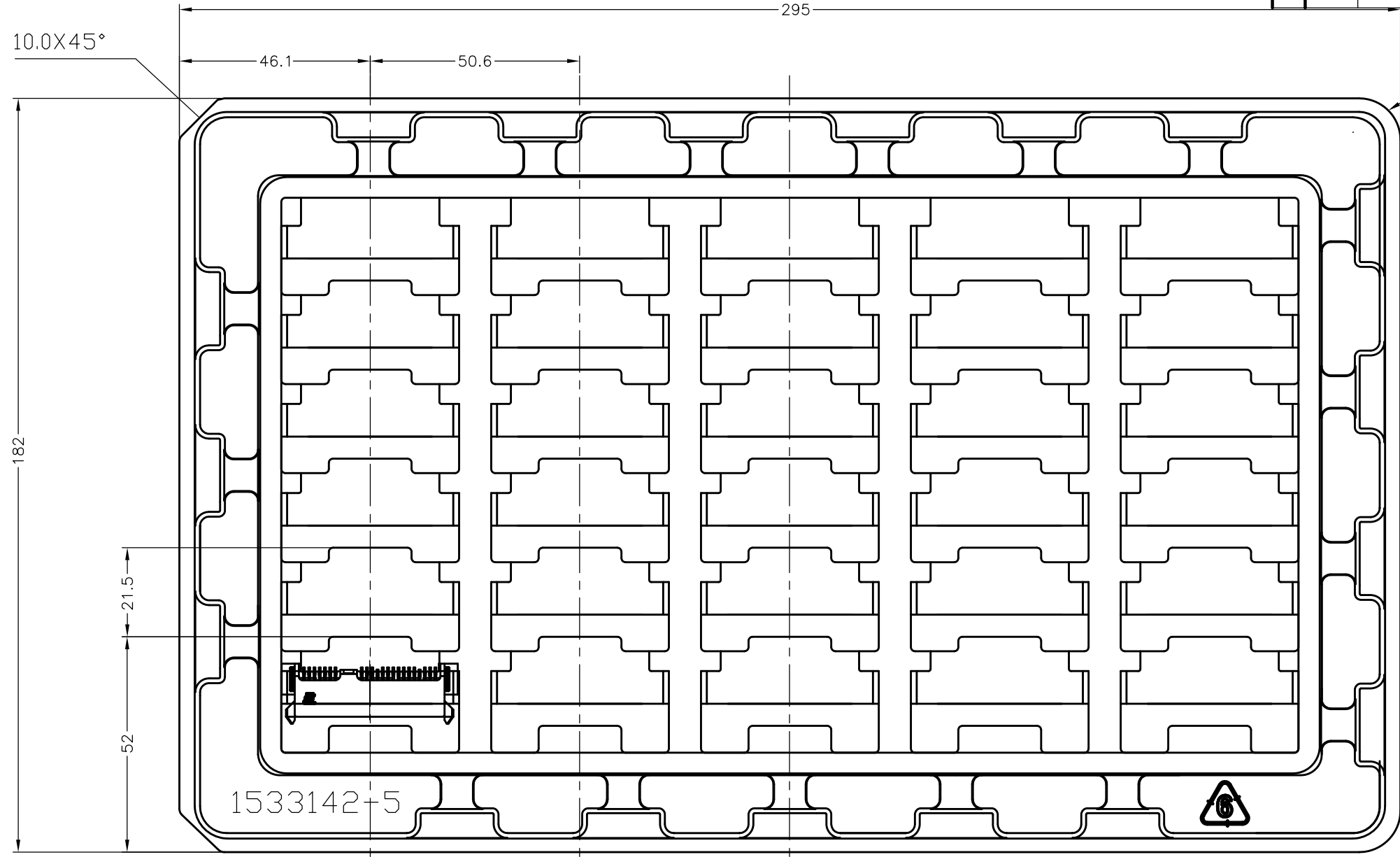
D

C

B

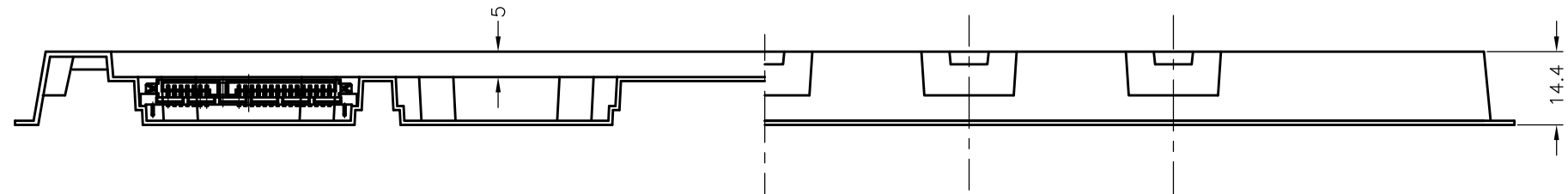
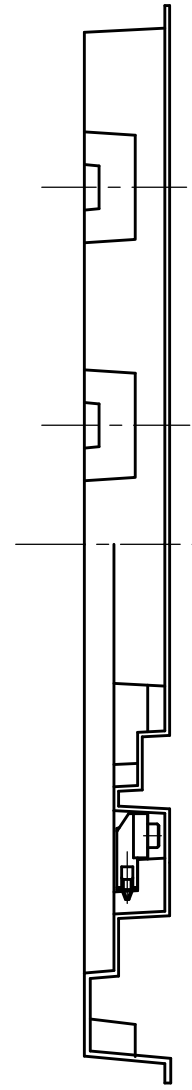
A

10.0X45°



2XR10

1533142-5



3. QUANTITY: 30 PCS/PER TRAY

THIS DRAWING IS A CONTROLLED DOCUMENT.		DWN	Tyco Electronics Corporation Taipei, Taiwan	
DIMENSIONS: mm		CHK	NAME	
TOLERANCES UNLESS OTHERWISE SPECIFIED:		APVD	SATA RECEPTACLE R/A SMT TYPE, 3.45MM	
<ul style="list-style-type: none"> 0 PLC ± 1 PLC ±- 2 PLC ±- 3 PLC ±- 4 PLC ±- ANGLES ±- 		PRODUCT SPEC	SIZE	CAGE CODE
MATERIAL		APPLICATION SPEC	A3	00779
FINISH		WEIGHT	DRAWING NO	RESTRICTED TO
		CUSTOMER DRAWING	C-2023246	
		SCALE	SHEET	REV
		4:1	4 OF 4	A1