



Chipsmall Limited consists of a professional team with an average of over 10 year of expertise in the distribution of electronic components. Based in Hongkong, we have already established firm and mutual-benefit business relationships with customers from,Europe,America and south Asia,supplying obsolete and hard-to-find components to meet their specific needs.

With the principle of "Quality Parts,Customers Priority,Honest Operation,and Considerate Service",our business mainly focus on the distribution of electronic components. Line cards we deal with include Microchip,ALPS,ROHM,Xilinx,Pulse,ON,Everlight and Freescale. Main products comprise IC,Modules,Potentiometer,IC Socket,Relay,Connector.Our parts cover such applications as commercial,industrial, and automotives areas.

We are looking forward to setting up business relationship with you and hope to provide you with the best service and solution. Let us make a better world for our industry!



Contact us

Tel: +86-755-8981 8866 Fax: +86-755-8427 6832

Email & Skype: info@chipsmall.com Web: www.chipsmall.com

Address: A1208, Overseas Decoration Building, #122 Zhenhua RD., Futian, Shenzhen, China

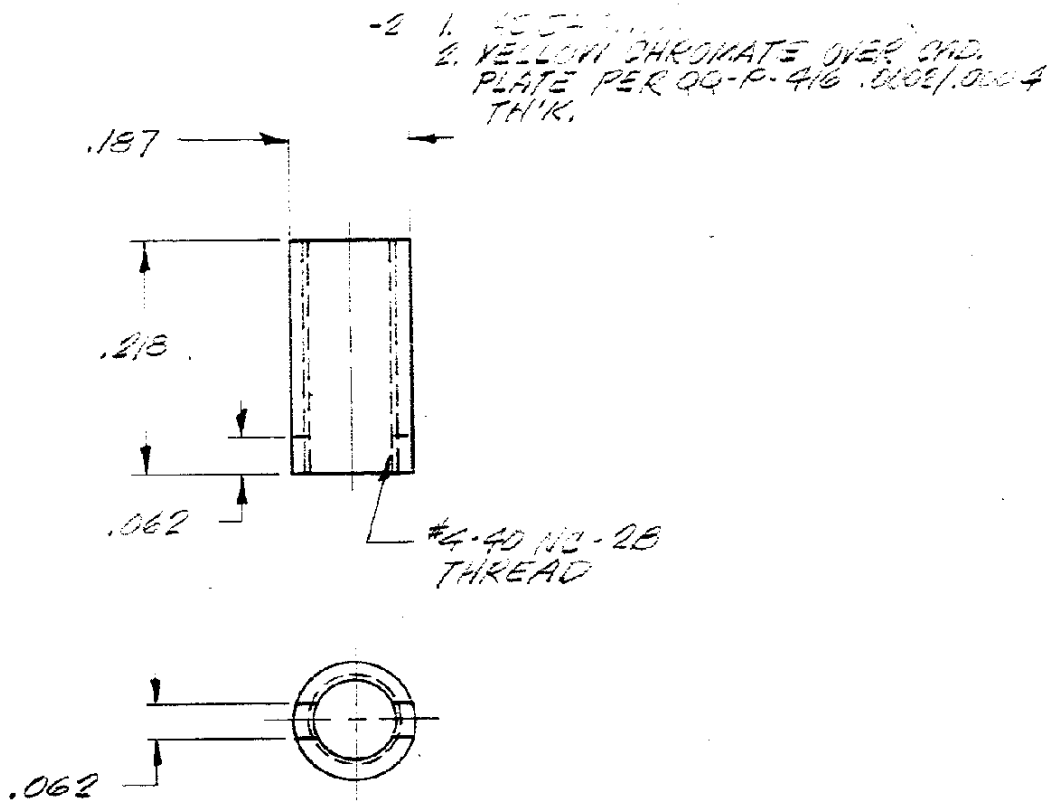


DRAWING MADE IN THIRD ANGLE PROJECTION


LOC *R* DIST *39*

© COPYRIGHT 1978 BY AMP INCORPORATED, HARRISBURG, PA. ALL INTERNATIONAL RIGHTS RESERVED. AMP INCORPORATED PRODUCTS COVERED BY U. S. AND FOREIGN PATENTS AND /OR PATENTS PENDING.

REVISIONS				
LTR	DESCRIPTION	DATE	APPROVED	P/F
<i>0</i>	<i>RELEASED</i>	<i>8/30/78</i>	<i>[Signature]</i>	<i>✓</i>



PART NO

UNLESS OTHERWISE SPECIFIED DIMENSIONS ARE IN INCHES. TOLERANCES ON: DECIMALS $\pm .005$ ANGLES $\pm \#$	CONTRACT NO	 AMP INCORPORATED Harrisburg, Pa.
	DR <i>F. Liffman 8/30/78</i>	
MATERIAL <i>BRASS PER QQ-B-626</i>	CHK <i>Richard Hunt #</i>	NAME <i>POLARIZING POST NUT</i>
FINISH <i>SEE DASH NO.</i>	APPD <i>Schubler 9/5/78</i>	SIZE A
	APPD <i>J. Wise 9/5/78</i>	CODE IDENT NO 00779
	DSGN APPD	DRAWING NO <i>202356</i>
	OTHER APPD	SCALE <i>#</i>
		SHEET <i>#</i>

AMP 1469-32 (7-73)

CUSTOMER DRAWING