



Chipsmall Limited consists of a professional team with an average of over 10 year of expertise in the distribution of electronic components. Based in Hongkong, we have already established firm and mutual-benefit business relationships with customers from,Europe,America and south Asia,supplying obsolete and hard-to-find components to meet their specific needs.

With the principle of "Quality Parts,Customers Priority,Honest Operation,and Considerate Service",our business mainly focus on the distribution of electronic components. Line cards we deal with include Microchip,ALPS,ROHM,Xilinx,Pulse,ON,Everlight and Freescale. Main products comprise IC,Modules,Potentiometer,IC Socket,Relay,Connector.Our parts cover such applications as commercial,industrial, and automotives areas.

We are looking forward to setting up business relationship with you and hope to provide you with the best service and solution. Let us make a better world for our industry!



Contact us

Tel: +86-755-8981 8866 Fax: +86-755-8427 6832

Email & Skype: info@chipsmall.com Web: www.chipsmall.com

Address: A1208, Overseas Decoration Building, #122 Zhenhua RD., Futian, Shenzhen, China



THIS DRAWING IS UNPUBLISHED. RELEASED FOR PUBLICATION
 © COPYRIGHT BY TYCO ELECTRONICS CORPORATION. ALL RIGHTS RESERVED.

LOC		DIST		REVISIONS			
P	LTR	DESCRIPTION	DATE	DWN	APVD		
FT	0						
	A1	REVISED PER ECO-07-000274	1/4/07	SS	GS		

SCREW, 4-40 UNC-2A x 6.35[.250] LG
 MATERIAL: CARBON STEEL
 FINISH: ZINC
 2 EA

CABLE CLAMP HALF
 MATERIAL: CARBON STEEL
 FINISH: 5.08um[.000200] MIN NICKEL

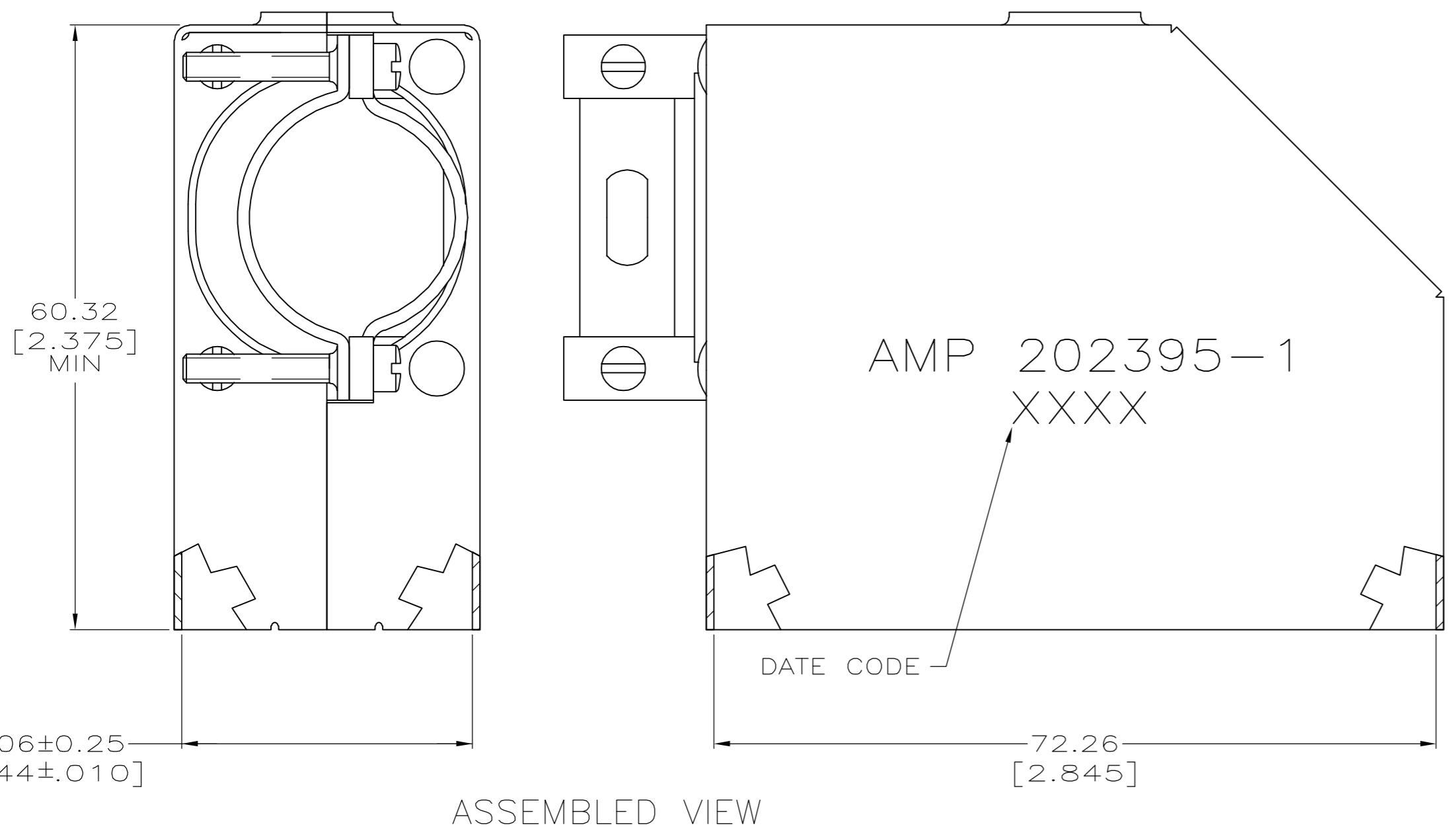
CABLE CLAMP, FIXED
 MATERIAL: STAINLESS STEEL

SCREW, 4-40 UNC-2A x 19.05[.750] LG
 MATERIAL: CARBON STEEL
 FINISH: ZINC
 2 EA

RIVET
 MATERIAL: STEEL
 FINISH: NICKEL
 2 EA

SHIELD HALF, LEFT HAND
 MATERIAL: CARBON STEEL
 FINISH: 5.08um[.000200] MIN NICKEL

SHIELD HALF, RIGHT HAND
 MATERIAL: CARBON STEEL
 FINISH: 5.08um[.000200] MIN NICKEL



- ① SHIELD WILL ACCOMODATE 104 WIRES OF $\phi 1.78[.070]$ MAX.
- ② ZINC PLATING WITH HEXAVALENT CHROMATE COATING.
- ③ ZINC PLATING WITHOUT HEXAVALENT CHROMATE COATING.

③	202395-2
②	202395-1
SCREW FINISH	PART NUMBER

THIS DRAWING IS A CONTROLLED DOCUMENT.		DWN	C.REIFSNYDER	21 MAR 96	Tyco Electronics Corporation Harrisburg, PA 17105-3608
DIMENSIONS: mm		CHK	R.STONE	02 APR 96	
TOLERANCES UNLESS OTHERWISE SPECIFIED:		APVD	G.A.STEINHAUER	16 APR 96	
0 PLC ± - 1 PLC ± - 2 PLC ± 0.13 [.005] 3 PLC ± - 4 PLC ± - ANGLES ± - FINISH SEE CALLOUTS		PRODUCT SPEC	NAME		
MATERIAL SEE CALLOUTS		APPLICATION SPEC	SHIELD KIT, UNASSEMBLED, 104 POSITION, 2 PIECE, M SERIES		RESTRICTED TO
WEIGHT -		SIZE	A2	CAGE CODE	00779
CUSTOMER DRAWING		DRAWING NO	C=202395		SCALE
SCALE 2:1		SHEET	1 OF 1		REV
					A1