



Chipsmall Limited consists of a professional team with an average of over 10 year of expertise in the distribution of electronic components. Based in Hongkong, we have already established firm and mutual-benefit business relationships with customers from,Europe,America and south Asia,supplying obsolete and hard-to-find components to meet their specific needs.

With the principle of “Quality Parts,Customers Priority,Honest Operation,and Considerate Service”,our business mainly focus on the distribution of electronic components. Line cards we deal with include Microchip,ALPS,ROHM,Xilinx,Pulse,ON,Everlight and Freescale. Main products comprise IC,Modules,Potentiometer,IC Socket,Relay,Connector.Our parts cover such applications as commercial,industrial, and automotives areas.

We are looking forward to setting up business relationship with you and hope to provide you with the best service and solution. Let us make a better world for our industry!



Contact us

Tel: +86-755-8981 8866 Fax: +86-755-8427 6832

Email & Skype: info@chipsmall.com Web: www.chipsmall.com

Address: A1208, Overseas Decoration Building, #122 Zhenhua RD., Futian, Shenzhen, China

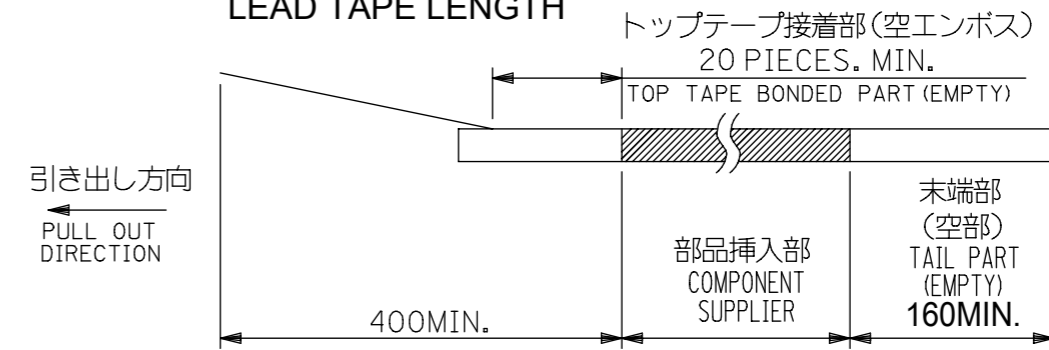


NOTES

1. 製品詳細寸法は製品単体図面を参照して下さい。
 FOR DETAIL OF CONNECTOR DIMENSIONS, PLEASE SEE THE DRAWING OF CONNECTOR ITSELF (NOT PACKAGED).

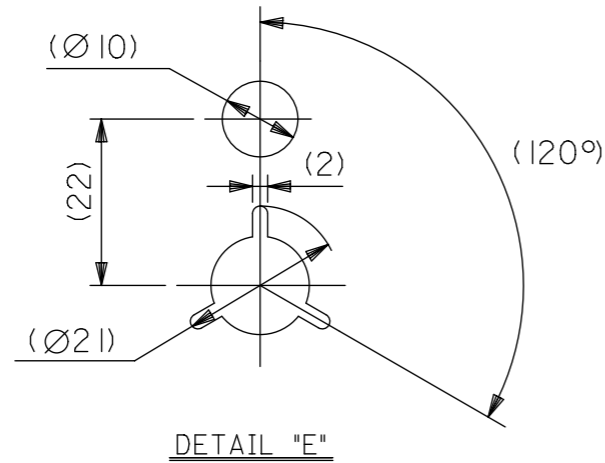
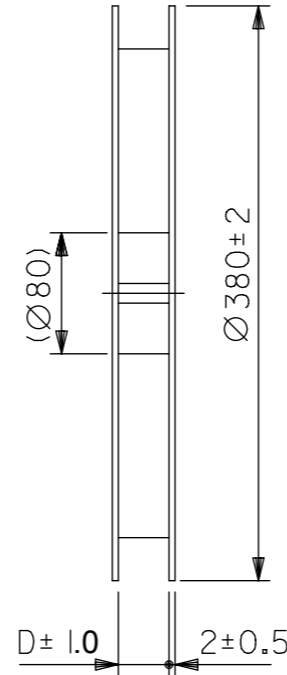
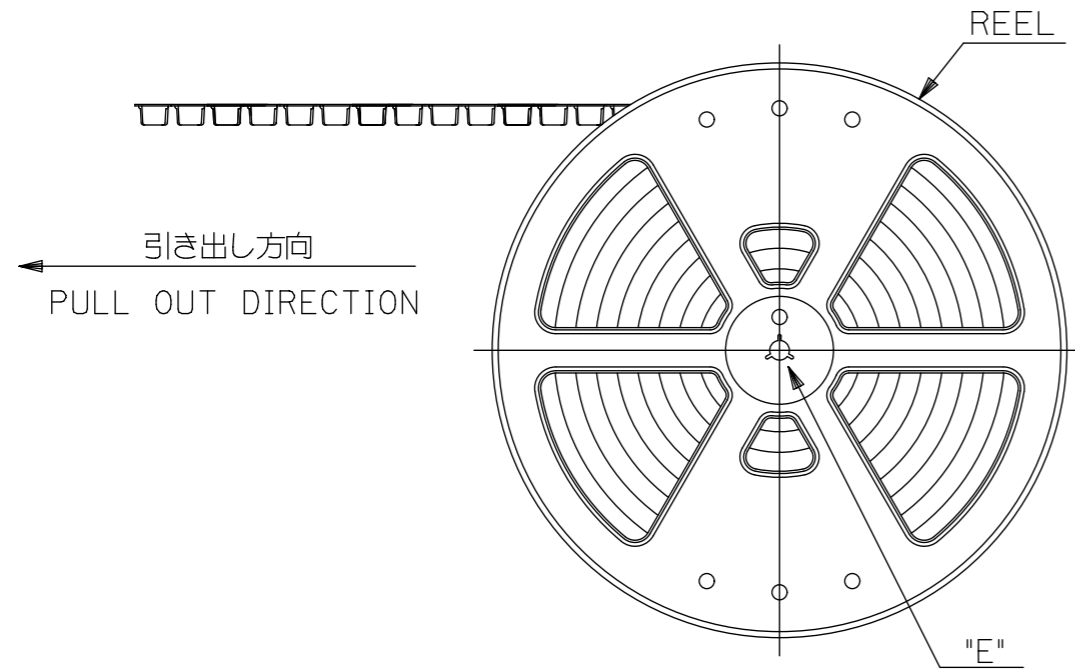
2. 梱包数量 : 1300個/リール
 NUMBER OF CONNECTORS : 1300 PIECES/REEL

3. リードテープ長さ
 LEAD TAPE LENGTH



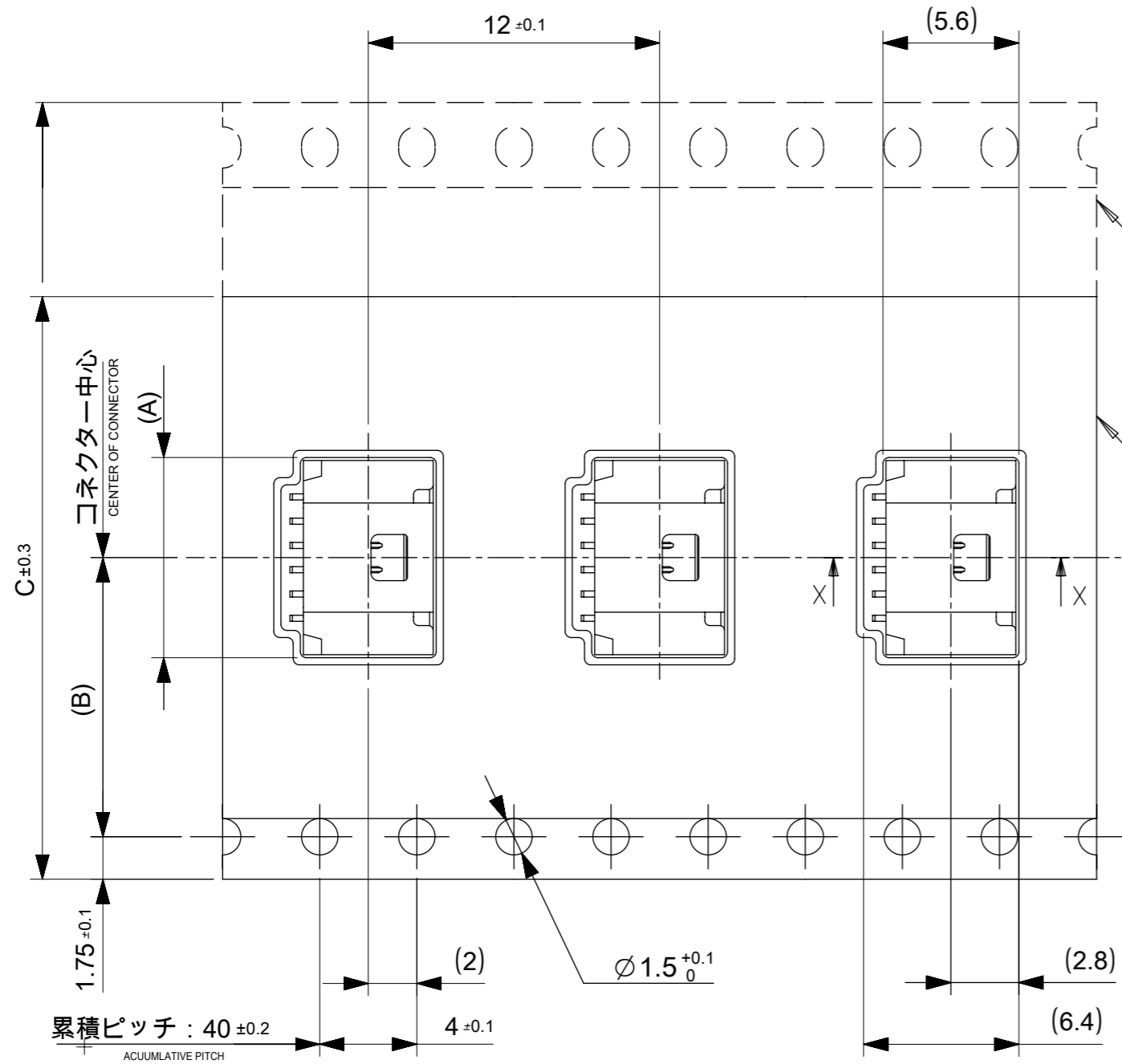
4. 材料
 MATERIAL
 CARRIER TAPE : POLYPROPYLENE.
 トッptape : PET, PE, REF
 TOP TAPE : PET, PE, REF.
 リール : ポリスチレン <リサイクル材を含む>

5. ELV AND RoHS COMPLIANT.



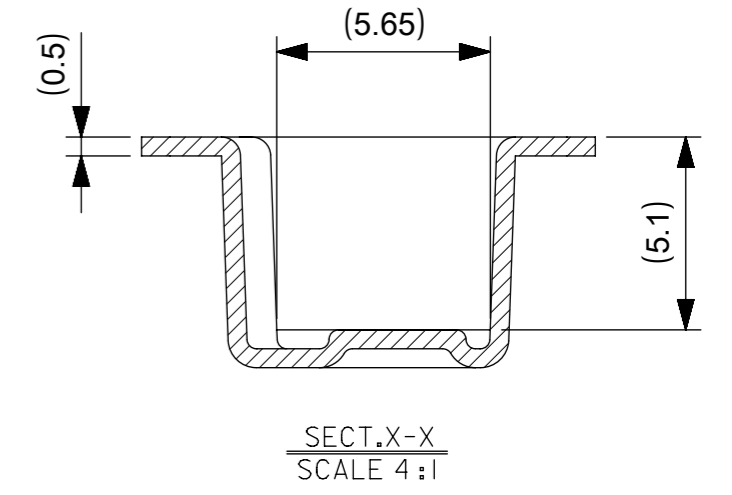
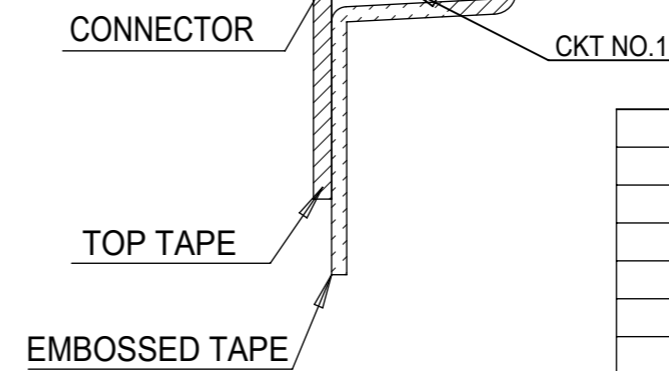
THIS DRAWING CONTAINS INFORMATION THAT IS PROPRIETARY TO MOLEX ELECTRONIC TECHNOLOGIES, LLC AND SHOULD NOT BE USED WITHOUT WRITTEN PERMISSION

EC NO: 111079 DRWN: QHE31 CHK'D: SAKIYAMA APPR: TKANEKO	2016/12/05 2016/12/05	GENERAL TOLERANCES (UNLESS SPECIFIED)		DIMENSION UNITS	SCALE		
		ANGULAR TOL ± 1.0 °		MM	NTS		
		4 PLACES ± 0.2	DRWN BY		DATE		
		3 PLACES ± 0.2	KOMORI		2016/09/01		
		2 PLACES ± 0.2	CHK'D BY		DATE		
1 PLACE ± 0.2	SAKIYAMA		2016/09/21				
0 PLACES ± 0.2	APPR BY		DATE				
DRAFT WHERE APPLICABLE MUST REMAIN WITHIN DIMENSIONS		TKANEKO		2016/09/21			
		DRAWING SIZE	THIRD ANGLE PROJECTION				
		A3					
		PRODUCT CUSTOMER DRAWING					
		SERIES	MATERIAL NUMBER	CUSTOMER			
		202396	SEE SHEET2	GENERAL			
		DOCUMENT NUMBER		DOC TYPE	DOC PART SHEET NUMBER		
		2023960607		PSD	000 1 OF 2		



32mm幅テープ
TAPE WIDTH : 32mm

24mm幅テープ
TAPE WIDTH : 24mm

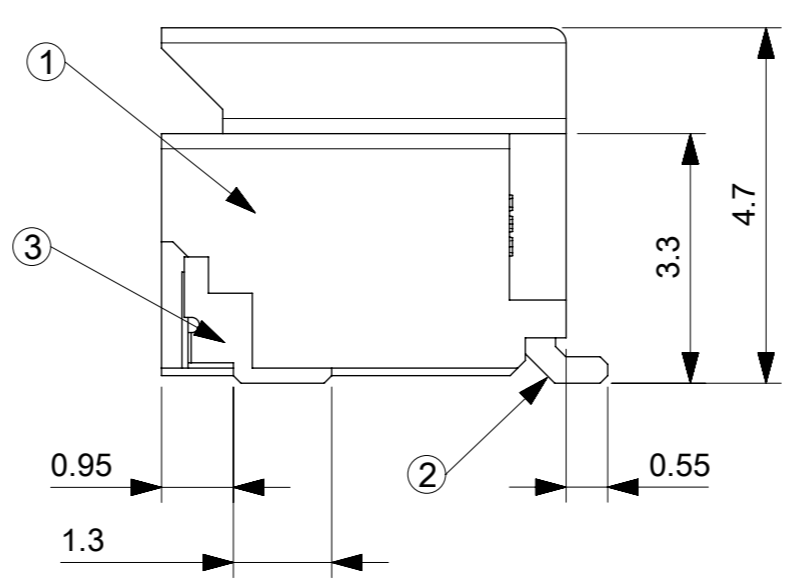
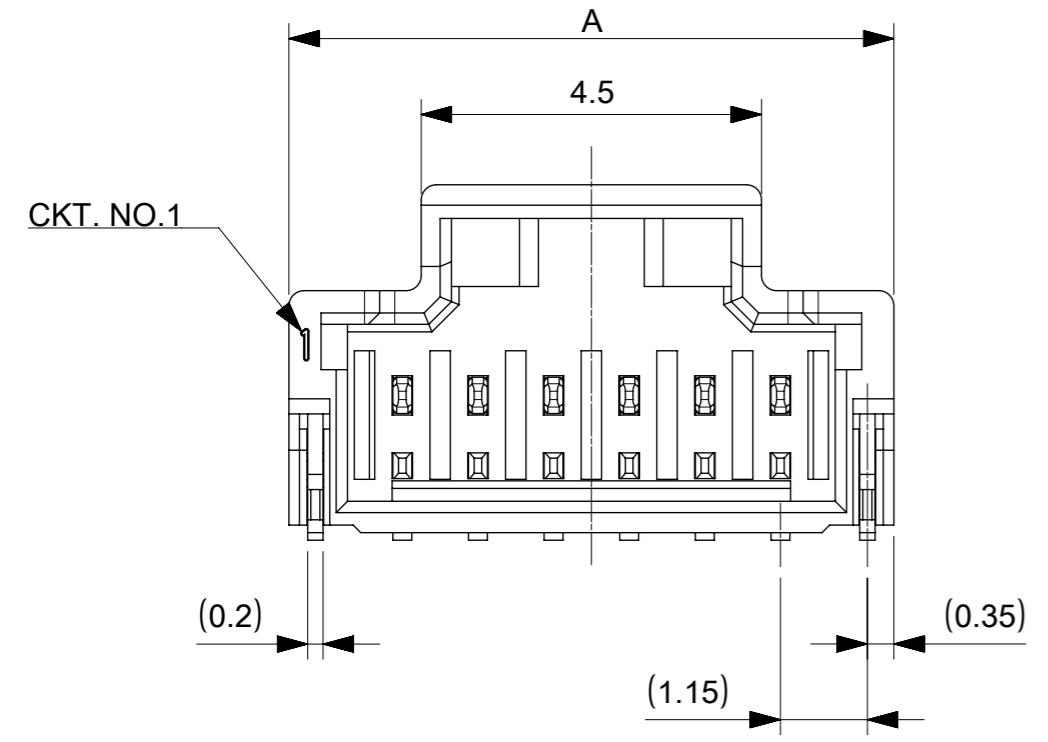
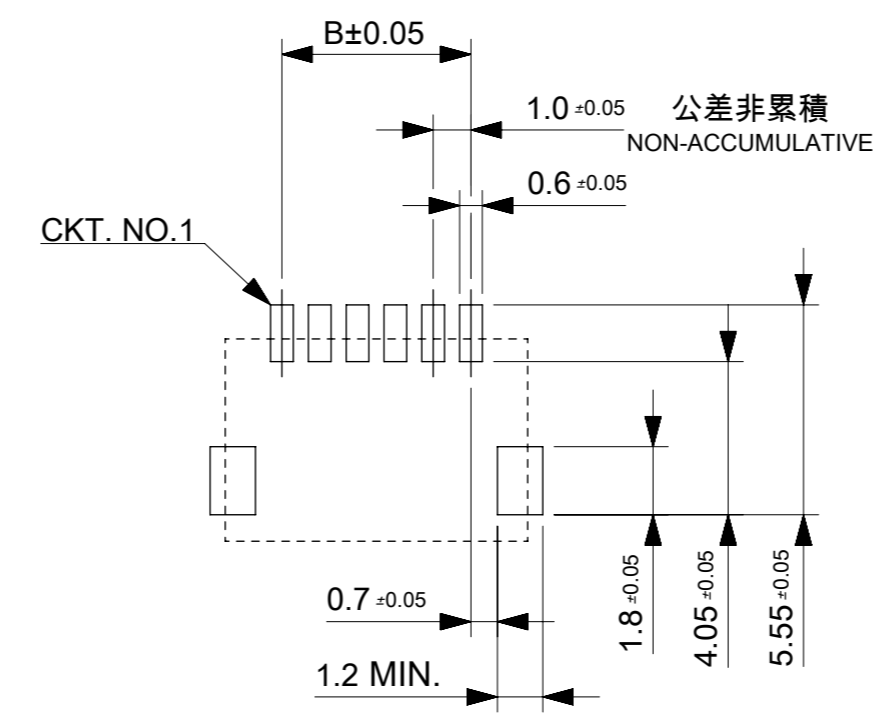
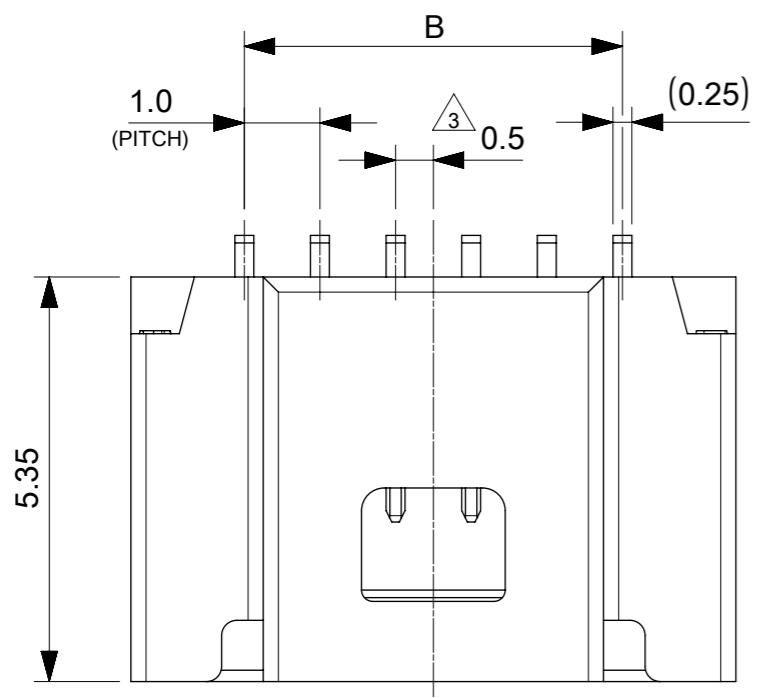


2023961507	2023961509	33.5	32	14.2	17.3	15	
2023961407	2023961409				16.3	14	
2023961307	2023961309				15.3	13	
2023961207	2023961209	25.5	24	11.5	14.3	12	
2023961107	2023961109				13.3	11	
2023961007	2023961009				12.3	10	
2023960907	2023960909				11.3	9	
2023960807	2023960809				10.3	8	
2023960707	2023960709				9.3	7	
2023960607	2023960609	8.3	6				
EMBOSSSED TAPE PKG. オーダー番号 ORDER NO.		CONNECTOR NO.	D	C	(B)	(A)	極数 CKT.

引き出し方向
PULL OUT DIRECTION

THIS DRAWING CONTAINS INFORMATION THAT IS PROPRIETARY TO MOLEX ELECTRONIC TECHNOLOGIES, LLC AND SHOULD NOT BE USED WITHOUT WRITTEN PERMISSION

REVISED EC NO: 111079 DRWN: QHE31 CHK'D: SAKIYAMA APPR: TKANEKO	2016/12/05	GENERAL TOLERANCES (UNLESS SPECIFIED)	DIMENSION UNITS	SCALE				
	2016/12/05	ANGULAR TOL ± 1.0 °	MM	NTS				
	2016/12/05	4 PLACES ± 0.2	DRWN BY	DATE		PICO-CRASP 1.0W/B 1-ROW R/A 6-15 CKT. INNER LOCK TYPE EMBOSSSED TAPE PKG (GOLD VERSION)		
		3 PLACES ± 0.2	KOMORI	2016/09/01				
	2 PLACES ± 0.2	CHK'D BY	DATE	PRODUCT CUSTOMER DRAWING				
	1 PLACE ± 0.2	SAKIYAMA	2016/09/21					
	0 PLACES ± 0.2	APPR BY	DATE	SERIES	MATERIAL NUMBER	CUSTOMER		
		TKANEKO	2016/09/21	202396	SEE SHEET2	GENERAL		
		DRAFT WHERE APPLICABLE MUST REMAIN WITHIN DIMENSIONS	DRAWING SIZE	THIRD ANGLE PROJECTION	DOCUMENT NUMBER	DOC TYPE	DOC PART	SHEET NUMBER
			A3		2023960607	PSD	000	2 OF 2



番号 NO.	部品 PART	材質 MATERIAL
①	ウェハー WAFER	耐熱ナイロン、UL94V-0、色：自然色 HEAT RESISTANCE NYLON,UL94V-0 COLOR:NATURAL
②	ソルダーピン SOLDER PIN	りん青銅 PHOSPHOR BRONZE 金めっき(接触部)：0.1 MICRO METER MINIMUM. GOLD PLATING (CONTACT AREA) 金めっき(テール部):0.05 MICRO METER MINIMUM. GOLD PLATING (TAIL AREA) ニッケルめっき(下地)：1.0 MICRO METER MINIMUM. NICKEL (UNDER PLATING)
③	ネイル NAIL	黄銅 BRASS すずめっき：1.0 MICRO METER MINIMUM. TIN PLATING ニッケル下地めっき：1.0 MICRO METER MINIMUM. NICKEL UNDER PLATING

2023961507	2023961509	14.0	17.0	15	
2023961407	2023961409	13.0	16.0	14	
2023961307	2023961309	12.0	15.0	13	
2023961207	2023961209	11.0	14.0	12	
2023961107	2023961109	10.0	13.0	11	
2023961007	2023961009	9.0	12.0	10	
2023960907	2023960909	8.0	11.0	9	
2023960807	2023960809	7.0	10.0	8	
2023960707	2023960709	6.0	9.0	7	
2023960607	2023960609	5.0	8.0	6	
EMBOSSED PACKAGE オーダー番号 ORDER NO.		CONNECTOR NO. 202396**09	B	A	極数 CKT.

- NOTES:**
1. 嵌合相手：501330-****
MATE WITH：501330-****
 2. ソルダーピン及びネイルの平坦度は0.1MAX.
SOLDER PIN AND NAIL COPLANARITY TO BE 0.1MAX.
 - △ 極数=偶数に適用
APPLY FOR CKT. SIZE=EVEN
 4. 2～5極は、PSD2023960209を参照下さい。
REFER TO PSD2023960209 ABOUT 2-5CKT.
 5. ELV AND RoHS COMPLIANT.

THIS DRAWING CONTAINS INFORMATION THAT IS PROPRIETARY TO MOLEX ELECTRONIC TECHNOLOGIES, LLC AND SHOULD NOT BE USED WITHOUT WRITTEN PERMISSION

REVISED	2016/12/05	DRWN: QHE31	GENERAL TOLERANCES (UNLESS SPECIFIED)	DIMENSION UNITS	SCALE				
	2016/12/05	CHK'D: SAKIYAMA		MM	10:1				
	2016/12/05	APPR: TKANEKO		ANGULAR TOL ± 1.0 °	DRWN BY		DATE		
	EC NO: 111079	DRWN: QHE31		4 PLACES ± 0.2	KOMORI		2016/09/01		
			3 PLACES ± 0.2	CHK'D BY	DATE	PICO-CRASP 1.0 W/B 1-ROW R/A ASS'Y 6-15 CKT. INNER LOCK TYPE (GOLD VERSION)			
			2 PLACES ± 0.2	SAKIYAMA	2016/09/21				
			1 PLACE ± 0.2	APPR BY	DATE				
			0 PLACES ± 0.2	TKANEKO	2016/09/21	PRODUCT CUSTOMER DRAWING			
			DRAFT WHERE APPLICABLE MUST REMAIN WITHIN DIMENSIONS	DRAWING SIZE	THIRD ANGLE PROJECTION	SERIES	MATERIAL NUMBER	CUSTOMER	
				A3		202396	SEE TABLE	GENERAL	
						DOCUMENT NUMBER	DOC TYPE	DOC PART	SHEET NUMBER
						2023960609	PSD	000	1 OF 1