



Chipsmall Limited consists of a professional team with an average of over 10 year of expertise in the distribution of electronic components. Based in Hongkong, we have already established firm and mutual-benefit business relationships with customers from,Europe,America and south Asia,supplying obsolete and hard-to-find components to meet their specific needs.

With the principle of “Quality Parts,Customers Priority,Honest Operation,and Considerate Service”,our business mainly focus on the distribution of electronic components. Line cards we deal with include Microchip,ALPS,ROHM,Xilinx,Pulse,ON,Everlight and Freescale. Main products comprise IC,Modules,Potentiometer,IC Socket,Relay,Connector.Our parts cover such applications as commercial,industrial, and automotives areas.

We are looking forward to setting up business relationship with you and hope to provide you with the best service and solution. Let us make a better world for our industry!



Contact us

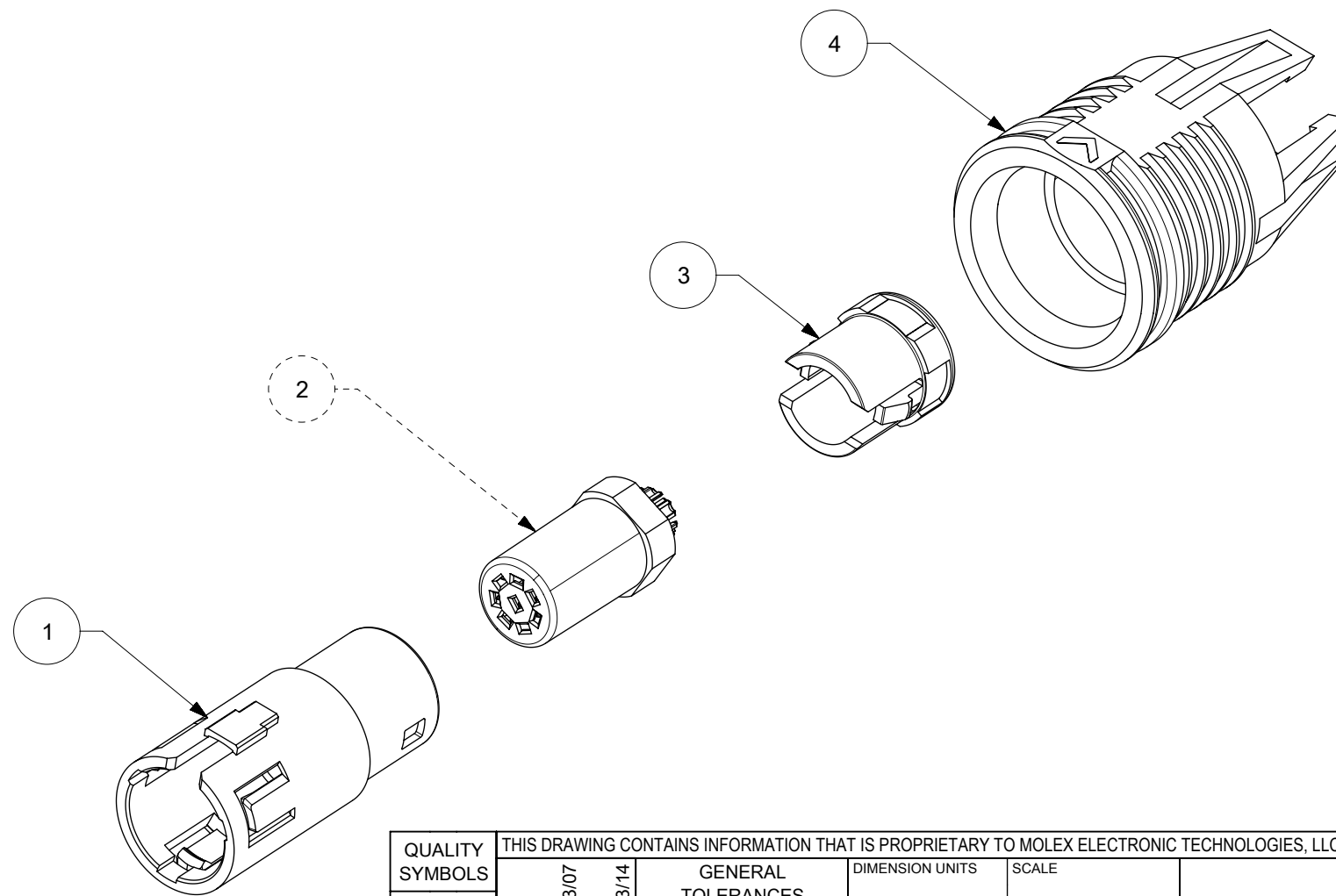
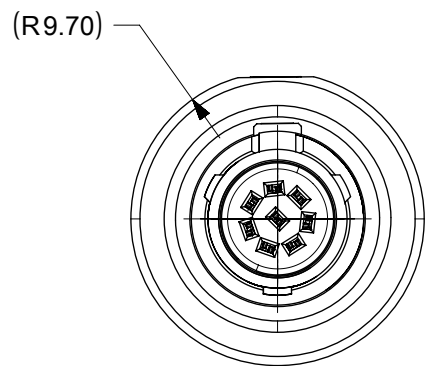
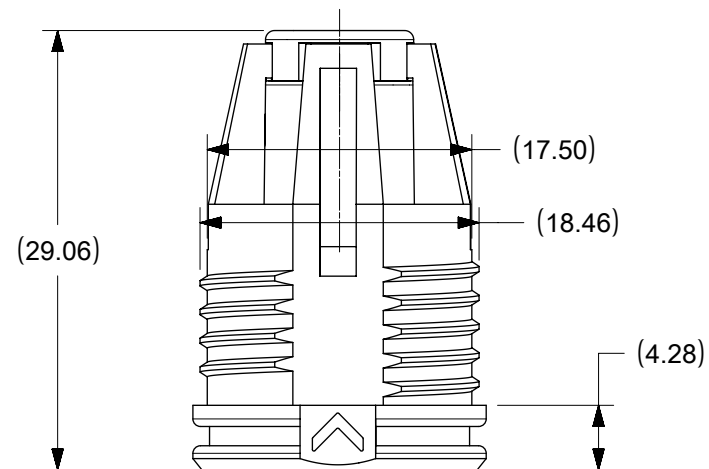
Tel: +86-755-8981 8866 Fax: +86-755-8427 6832

Email & Skype: info@chipsmall.com Web: www.chipsmall.com

Address: A1208, Overseas Decoration Building, #122 Zhenhua RD., Futian, Shenzhen, China



ITEM NUMBER	P/N	DESCRIPTION	QTY	SPQ
1	1728551301	MPC D1 FEMALE PANEL MOUNT HOUSING	1	10
2	1728542000	MPC D1 FEMALE RETAINER 17CKT	1	10
3	1728561000	MPC D1 FEMALE LOCK HOUSING	1	10
4	1728591101	MPC D1 PANEL SNAP HOUSING	1	10



NOTES:

1. KIT TO BE PACKAGED PER SPEC PK-70873-3345
2. MATERIAL, MEDICAL GRADE PPSU; COLOR, BLACK
HIGH PERFORMANCE COPPER ALLOY WITHY GOLD PLATING IN MATING ZONE.
3. MATES WITH KIT P/N 172870-08*0 OR 173250-08*0.
4. FOR ASSEMBLY INFORMATION AND SPEC SEE APPLICATION SPEC AS-202110-0000.
5. FOR FURTHER PRODUCT INFORMATION SEE PRODUCT SPEC PS-202110-0000

QUALITY SYMBOLS		THIS DRAWING CONTAINS INFORMATION THAT IS PROPRIETARY TO MOLEX ELECTRONIC TECHNOLOGIES, LLC AND SHOULD NOT BE USED WITHOUT WRITTEN PERMISSION									
∇	= 0	EC NO: 114244 DRWN: JJONIAK CHKD: APPR: BPISZCZOR	2017/03/07 2017/03/14	GENERAL TOLERANCES (UNLESS SPECIFIED)		DIMENSION UNITS	SCALE				
∇	= 0			ANGULAR TOL ±		MM	2:1				
∇	= 0			4 PLACES ±	DATE	JJONIAK	2017/03/07				
\blacktriangledown	= 0			3 PLACES ±	DATE	CHK'D BY	DATE	MPC D1 SHROUDED FEMALE 8CKT ASSY KIT			
∇	= 0			2 PLACES ±	DATE	BPISZCZOR	2017/03/14				
∇	= 0	1 PLACE ±	DATE	DRAFT WHERE APPLICABLE MUST REMAIN WITHIN DIMENSIONS		DRAWING SIZE	THIRD ANGLE PROJECTION	SERIES	MATERIAL NUMBER	CUSTOMER	
\boxtimes	= 0	0 PLACES ±		B		B		202405	2024050810	GENERAL MARKET	
\blacksquare	= 0							DOCUMENT NUMBER	DOC TYPE	DOC PART	SHEET NUMBER
∇	= 0							2024050810-SD	PSD	000	1 OF 1