



Chipsmall Limited consists of a professional team with an average of over 10 year of expertise in the distribution of electronic components. Based in Hongkong, we have already established firm and mutual-benefit business relationships with customers from,Europe,America and south Asia,supplying obsolete and hard-to-find components to meet their specific needs.

With the principle of “Quality Parts,Customers Priority,Honest Operation,and Considerate Service”,our business mainly focus on the distribution of electronic components. Line cards we deal with include Microchip,ALPS,ROHM,Xilinx,Pulse,ON,Everlight and Freescale. Main products comprise IC,Modules,Potentiometer,IC Socket,Relay,Connector.Our parts cover such applications as commercial,industrial, and automotives areas.

We are looking forward to setting up business relationship with you and hope to provide you with the best service and solution. Let us make a better world for our industry!



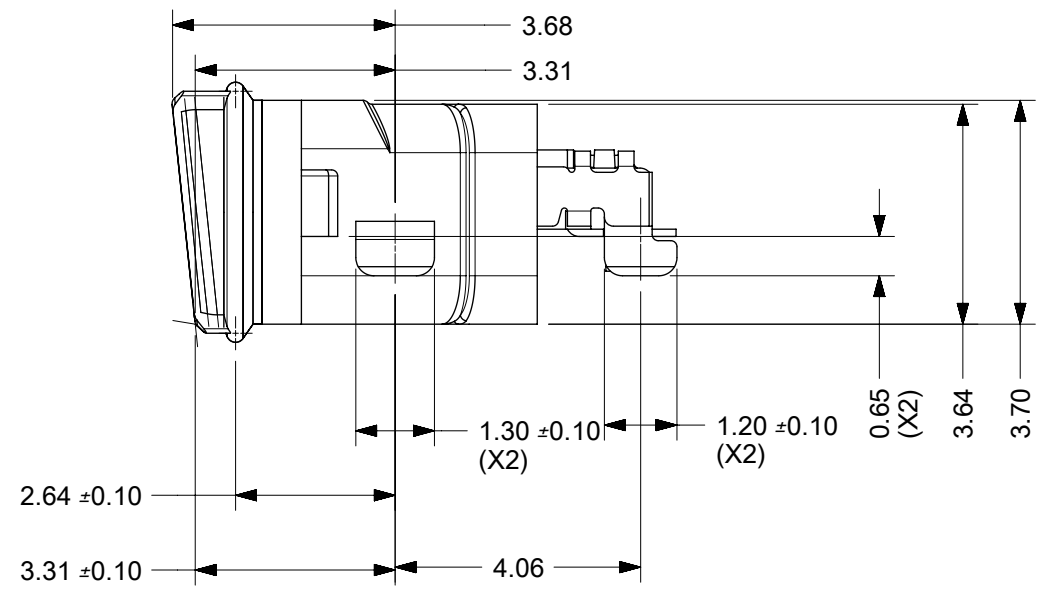
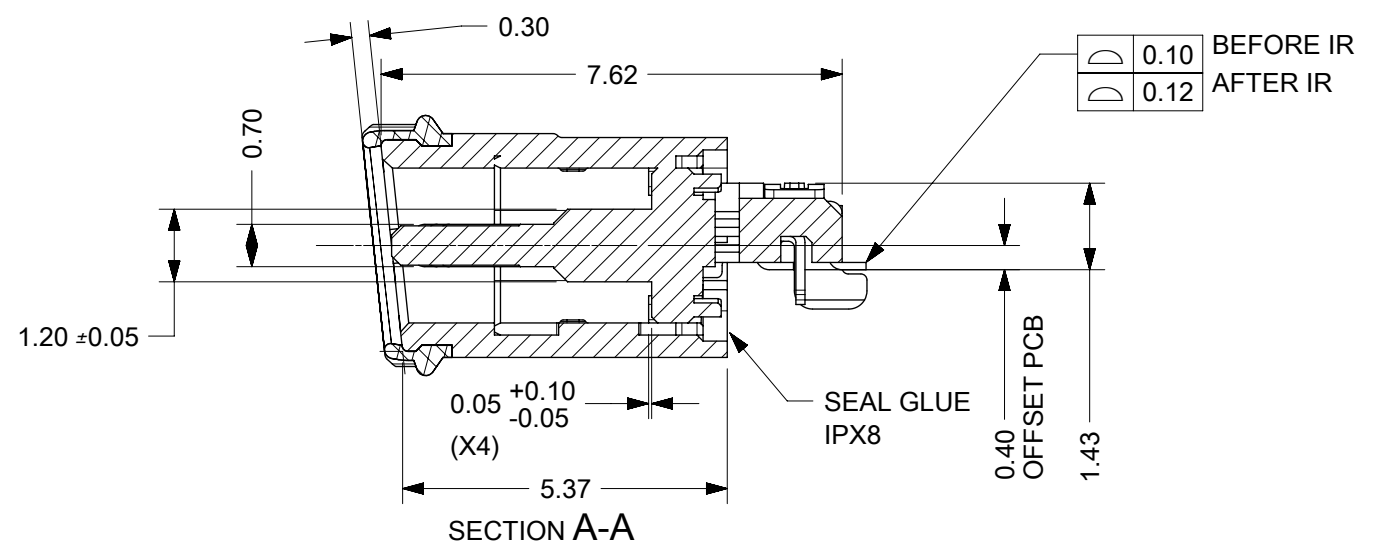
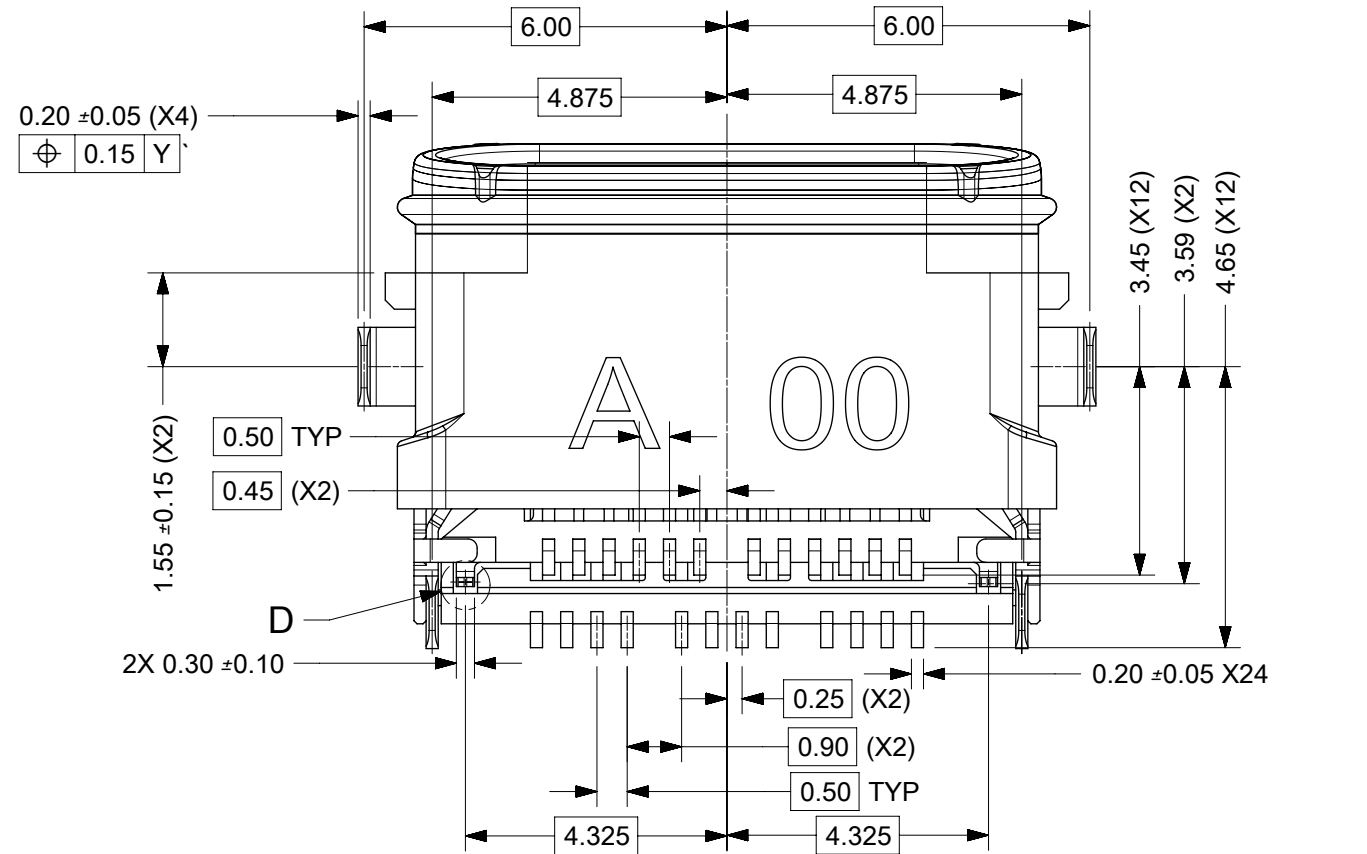
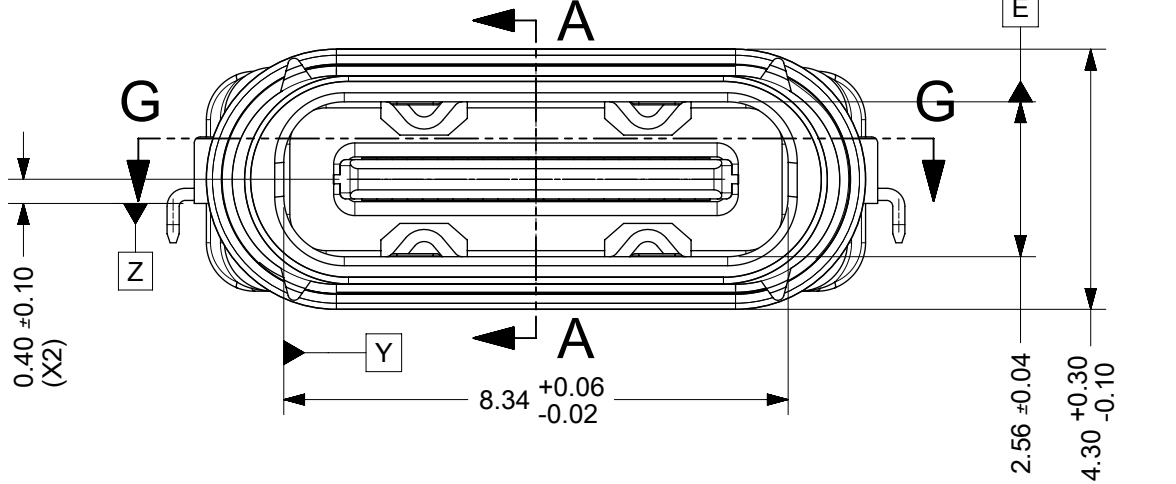
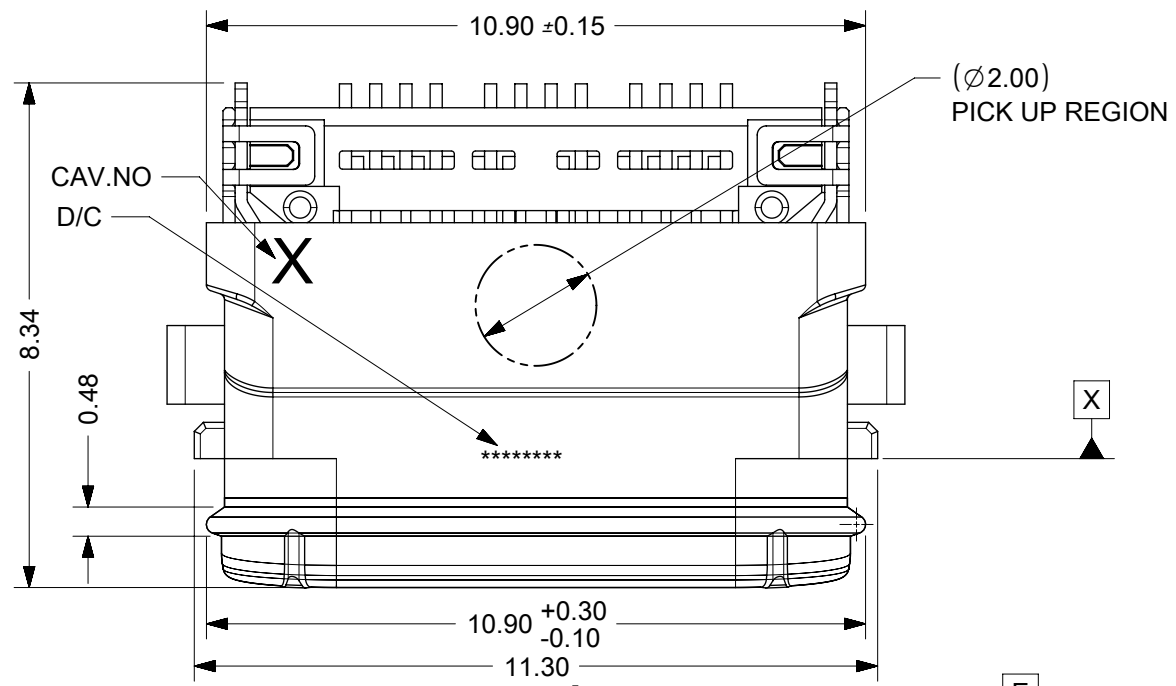
Contact us

Tel: +86-755-8981 8866 Fax: +86-755-8427 6832

Email & Skype: info@chipsmall.com Web: www.chipsmall.com

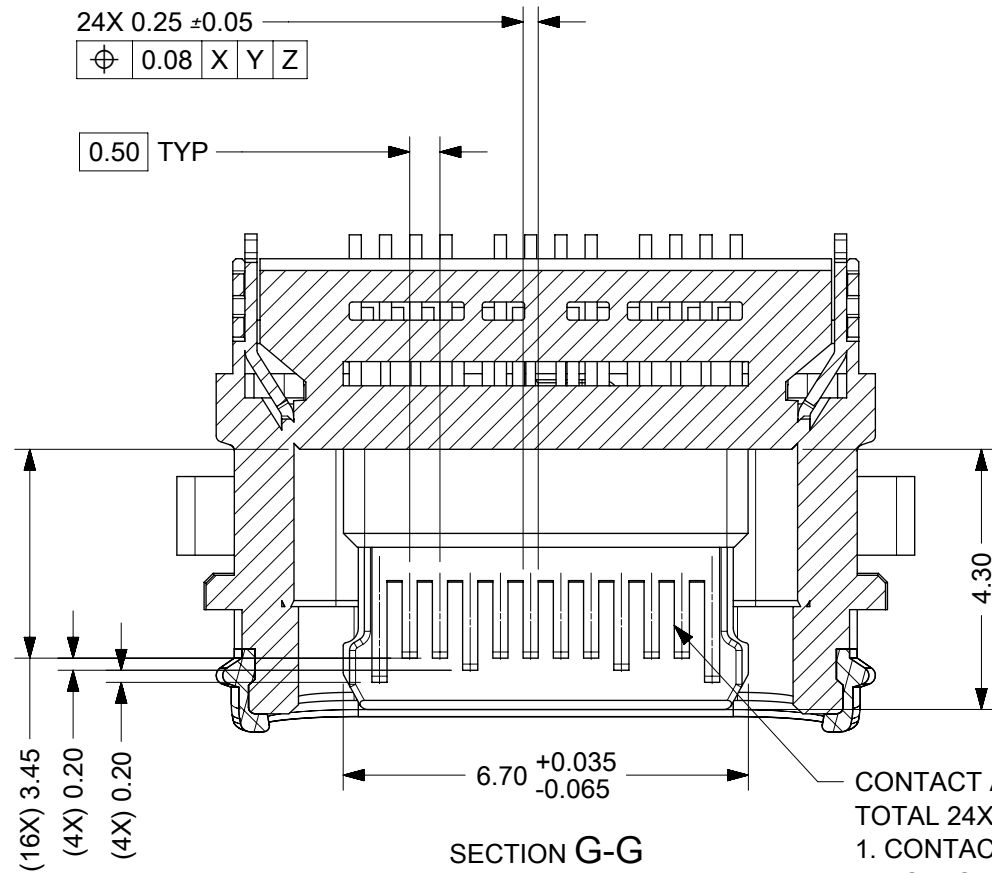
Address: A1208, Overseas Decoration Building, #122 Zhenhua RD., Futian, Shenzhen, China



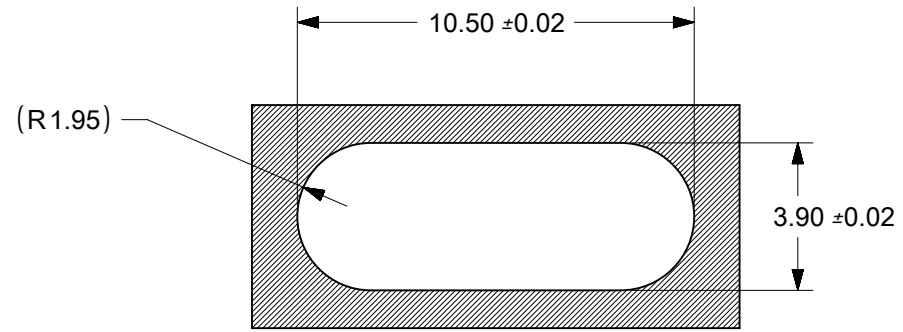


THIS DRAWING CONTAINS INFORMATION THAT IS PROPRIETARY TO MOLEX ELECTRONIC TECHNOLOGIES, LLC AND SHOULD NOT BE USED WITHOUT WRITTEN PERMISSION

EC NO: 116015 DRWN: RLI09 CHK'D: REV APPR: RZHANG	2017/02/27	GENERAL TOLERANCES (UNLESS SPECIFIED)	DIMENSION UNITS	SCALE				
	2017/05/02		MM	10:1				
			ANGULAR TOL ± 3.0 °	DRWN BY		DATE	24PIN TYPE C RECEPTACLE	
			4 PLACES ±	RLI09		2016/08/17		
		3 PLACES ±	CHK'D BY	DATE	PRODUCT CUSTOMER DRAWING			
		2 PLACES ± 0.2	APPR BY	DATE				
		1 PLACE ± 0.2	RZHANG	2016/09/14	SERIES	MATERIAL NUMBER	CUSTOMER	
		0 PLACES ±	DRAWING SIZE	THIRD ANGLE PROJECTION	202410	2024100002		
		DRAFT WHERE APPLICABLE MUST REMAIN WITHIN DIMENSIONS	A3		DOCUMENT NUMBER	DOC TYPE	DOC PART	SHEET NUMBER
					2024100001	PSD	000	1 OF 4



CONTACT AREA PLATING:
 TOTAL 24X TERMINALS
 1. CONTACT SURFACE PLATED Au 0.75um MIN.
 2. BOTTOM AND TWO SIDE SURFACES PLATED GOLD FLASH

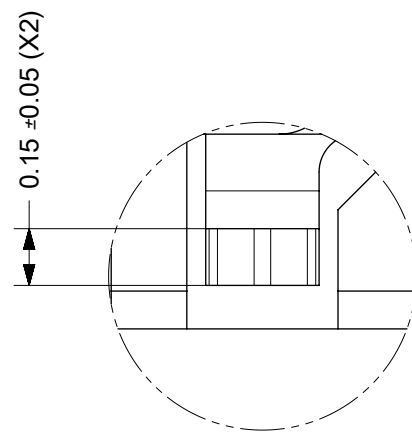


RECOMMENDED OPENING DIMENSIONS OF CASE MATING AREA WITH SEALING RING

NOTES:

1. MATERIAL AND PLATING SEE TABLE
2. PRODUCT SPEC REFER TO 2024100002
3. PACKAGE SPEC REFER TO 2024100007
4. SOLDER TAIL POSITION BE CONTROLLED BY GAUGE
5. PRODUCT COMPLANT TO ROHS DIERTIVE 2011/65/EU AND ELV DIRECTIVE 2000/53/EC

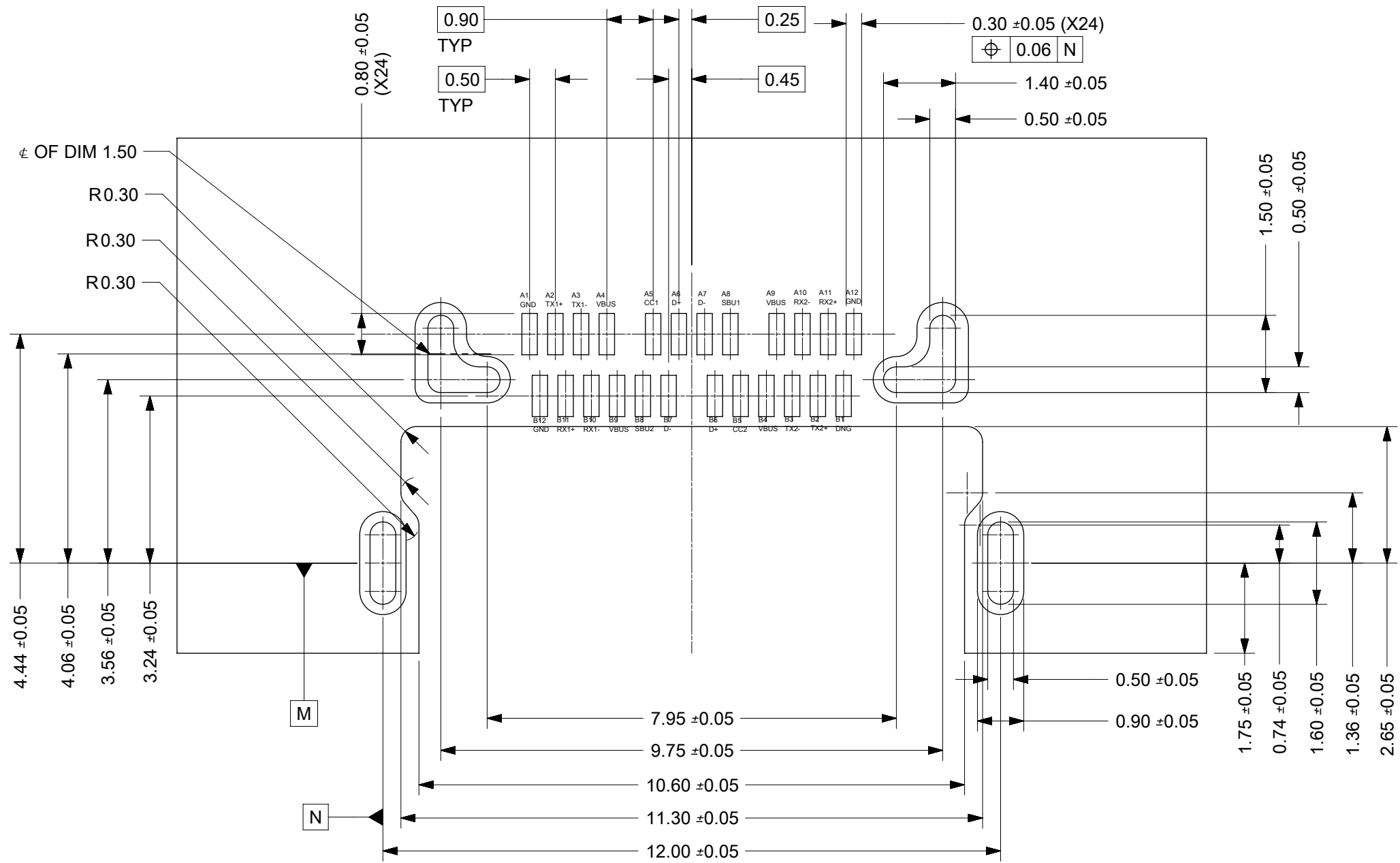
ITEM	PART NAME	MATERIAL	REMARK
1	L-TERMINAL	COPPER ALLOY	CONTACT AREA: DETAILS REFER TO DRAWING SOLDER TAIL: 0.025 MICROMETER MIN. GOLD PLATING UNDER PLATING: 2 MICROMETER MIN. NICKEL PLATING OVERALL
2	U-TERMINAL	COPPER ALLOY	
3	MID BLADE	STAINLESS STEEL	1 MICROMETR MIN. SOLDERABLE NICKEL PLATING OVERALL
4	I/M TONGUE	PLASTIC	UL94V-0
5	O/M RESIN SHELL	PLASTIC	UL94V-0
6	O/M METAL SHELL	STAINLESS STEEL	1 MICROMETR MIN. SOLDERABLE NICKEL PLATING OVERALL
7	MAIN SHELL	STAINLESS STEEL	1 MICROMETR MIN. SOLDERABLE NICKEL PLATING OVERALL
8	LIM	RUBBER	N/A



DETAIL D
SCALE 50:1

THIS DRAWING CONTAINS INFORMATION THAT IS PROPRIETARY TO MOLEX ELECTRONIC TECHNOLOGIES, LLC AND SHOULD NOT BE USED WITHOUT WRITTEN PERMISSION

EC NO: 116015 DRWN: RLI09 CHK'D: REV APPR: RZHANG	2017/02/27	GENERAL TOLERANCES (UNLESS SPECIFIED) ANGULAR TOL ± 3.0 ° 4 PLACES ± 3 PLACES ± 2 PLACES ± 0.2 1 PLACE ± 0.2 0 PLACES ± DRAFT WHERE APPLICABLE MUST REMAIN WITHIN DIMENSIONS	DIMENSION UNITS	SCALE	molex [®]				
	2017/05/02		MM	1:1					24PIN TYPE C RECEPTACLE
				DRWN BY	DATE	PRODUCT CUSTOMER DRAWING			
				RLI09	2016/08/17				
		CHK'D BY	DATE	DOCUMENT NUMBER DOC TYPE DOC PART SHEET NUMBER 2024100001 PSD 000 2 OF 4					
		APPR BY	DATE					DRAWING SIZE THIRD ANGLE PROJECTION A3	
		RZHANG	2016/09/14						

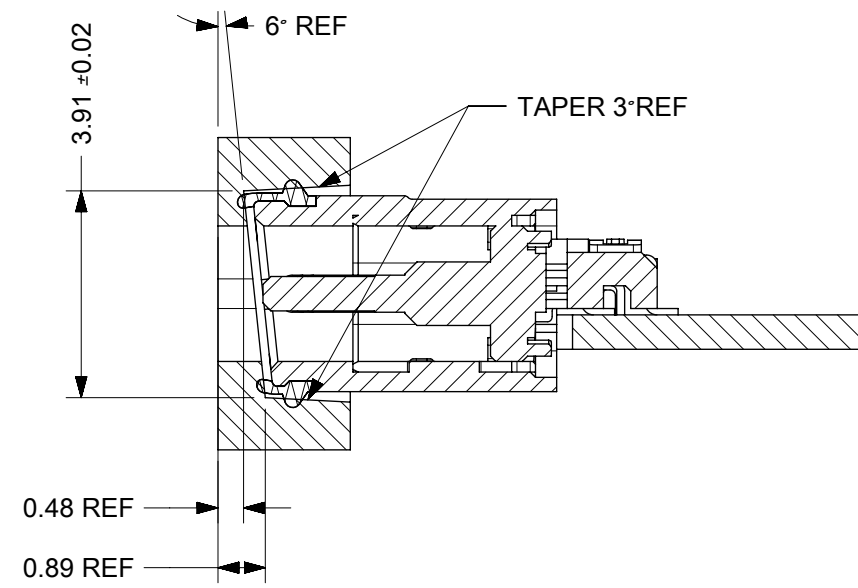
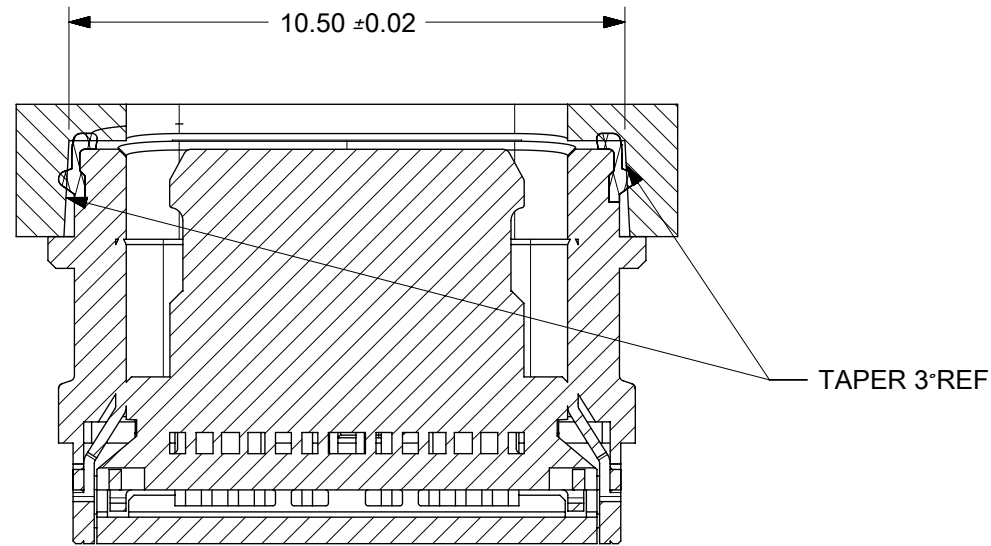
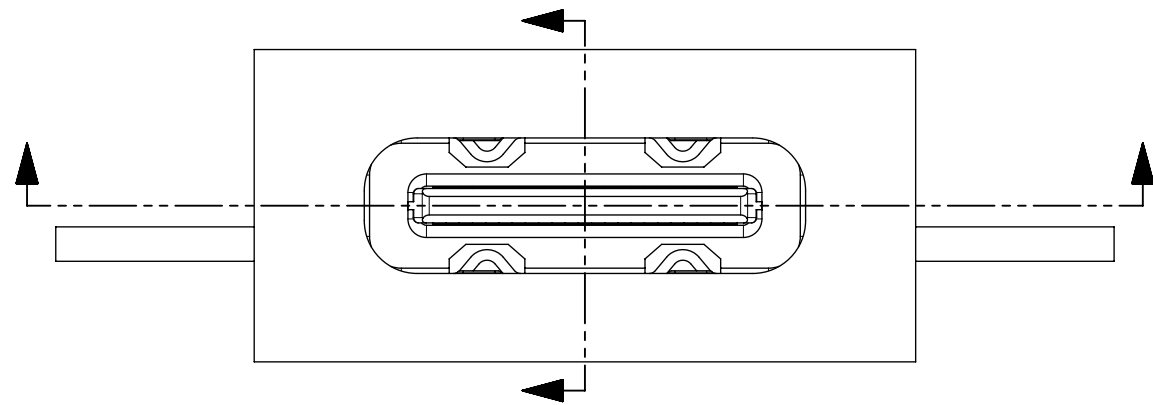


RECOMMENDED PCB LAYOUT

THIS DRAWING CONTAINS INFORMATION THAT IS PROPRIETARY TO MOLEX ELECTRONIC TECHNOLOGIES, LLC AND SHOULD NOT BE USED WITHOUT WRITTEN PERMISSION

EC NO: 116015 DRWN: RLI09 CHK'D: APPR: RZHANG	2017/02/27	GENERAL TOLERANCES (UNLESS SPECIFIED) ANGULAR TOL ± 3.0 ° 4 PLACES ± 3 PLACES ± 2 PLACES ± 0.2 1 PLACE ± 0.2 0 PLACES ± DRAFT WHERE APPLICABLE MUST REMAIN WITHIN DIMENSIONS	DIMENSION UNITS	SCALE					
	2017/05/02		MM	10:1					
	REV		DATE	DRWN BY	DATE	24PIN TYPE C RECEPTACLE			
	D			RLI09	2016/08/17				
				CHK'D BY	DATE	PRODUCT CUSTOMER DRAWING			
		RZHANG	2016/09/14						
		APPR BY	DATE	DRAWING SIZE	THIRD ANGLE PROJECTION	SERIES	MATERIAL NUMBER	CUSTOMER	
				A3		202410	2024100002		
						DOCUMENT NUMBER	DOC TYPE	DOC PART	SHEET NUMBER
						2024100001	PSD	000	3 OF 4

CONNECTOR VS MIAN CASE RELATIVE POSITION



THIS DRAWING CONTAINS INFORMATION THAT IS PROPRIETARY TO MOLEX ELECTRONIC TECHNOLOGIES, LLC AND SHOULD NOT BE USED WITHOUT WRITTEN PERMISSION

EC NO: 116015 DRWN: RLI09 CHK'D: APPR: RZHANG	2017/02/27	GENERAL TOLERANCES (UNLESS SPECIFIED) ANGULAR TOL ± 3.0 ° 4 PLACES ± 3 PLACES ± 2 PLACES ± 0.2 1 PLACE ± 0.2 0 PLACES ± DRAFT WHERE APPLICABLE MUST REMAIN WITHIN DIMENSIONS	DIMENSION UNITS	SCALE					
	2017/05/02		MM	7:1					
	REV		DATE	DRWN BY	DATE	24PIN TYPE C RECEPTACLE			
	D			RLI09	2016/08/17				
				CHK'D BY	DATE	PRODUCT CUSTOMER DRAWING			
		RZHANG	2016/09/14						
		APPR BY	DATE	SERIES	MATERIAL NUMBER	CUSTOMER			
				202410	2024100002				
		DRAWING SIZE	THIRD ANGLE PROJECTION	DOCUMENT NUMBER		DOC TYPE	DOC PART	SHEET NUMBER	
		A3		2024100001		PSD	000	4 OF 4	